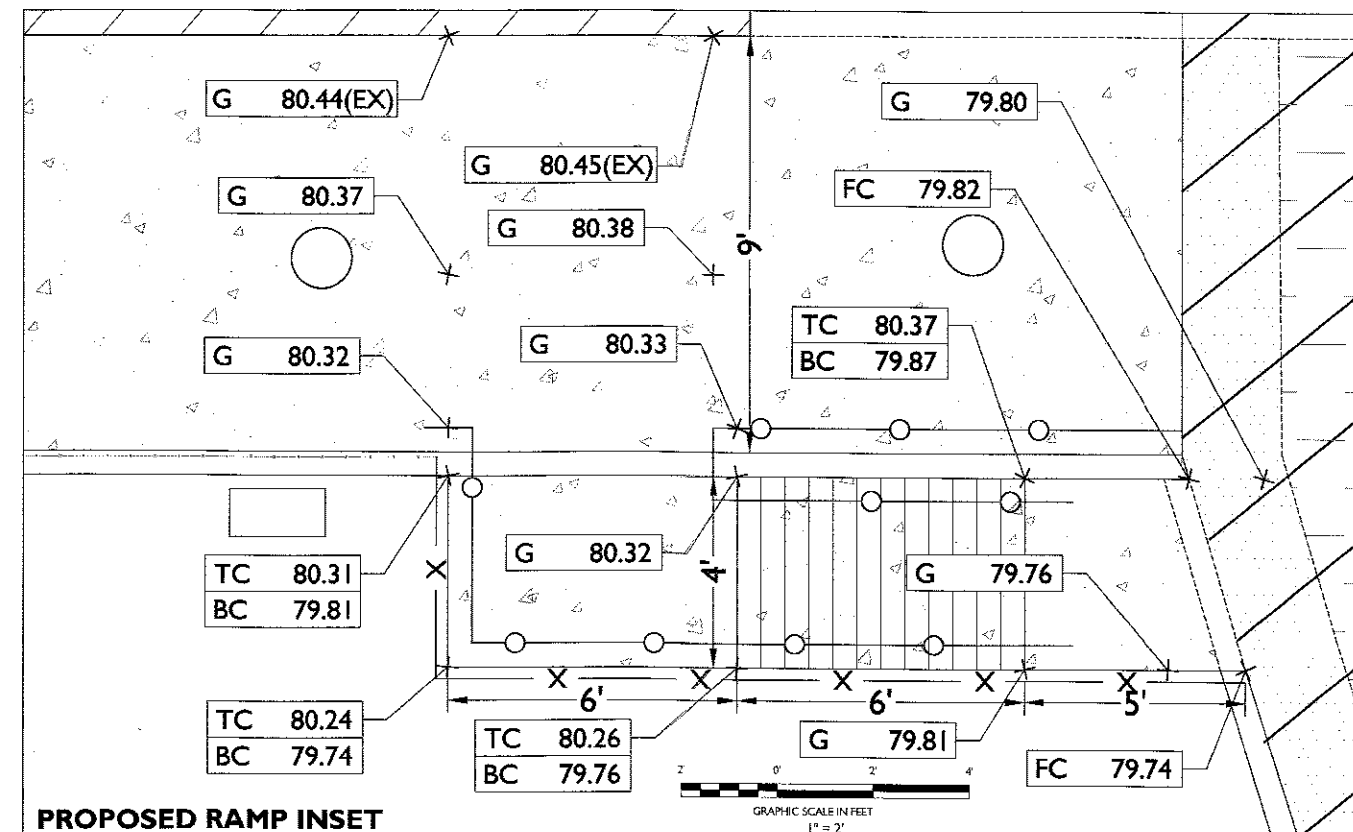


HYLAN BOULEVARD
 (VARIABLE WIDTH PUBLIC RIGHT-OF-WAY)



SITE PLAN

REV.	DATE	COMMENT
1	07/02/2017	FOR CLIENT REVIEW
2	07/19/2017	PER CLIENT COMMENTS
3	07/11/2017	FOR CODE REVIEW

STONEFIELD
 engineering & design

Rutherford, NJ • Long Island City, NY • Royal Oak, MI
 www.stonefielddesign.com

Headquarters: 92 Park Avenue, Rutherford, NJ 07070
 Phone 201.340.4468 • Fax 201.340.4472

GRASMERE ACCESSIBILITY UPGRADE

CHASED
 PROPOSED ADA UPGRADES

BLOCK 3327, LOT 19
 1151 HYLAN BOULEVARD
 BOROUGH OF STATEN ISLAND
 RICHMOND COUNTY, NEW YORK, 0305

CHARLES D. OLIVO, P.E.
 NEW YORK LICENSE NO. 087256
 LICENSED PROFESSIONAL ENGINEER

MTL DRAWN BY: PDM CHECKED BY: PDM

STONEFIELD
 engineering & design, llc

DATE: 07/07/2017 PROJECT ID: T-17368
 SCALE: 1" = 10' SHEET: 4 OF 6

TITLE: **SITE PLAN**

DRAWING: **C-004.00**

B-SCAN STICKER LOCATION:

2017/11/13 11:52 AM ARCHITECTURE - 1151 HYLAN BOULEVARD, STATEN ISLAND, NY CADD/PROJECT/MANAGEMENT