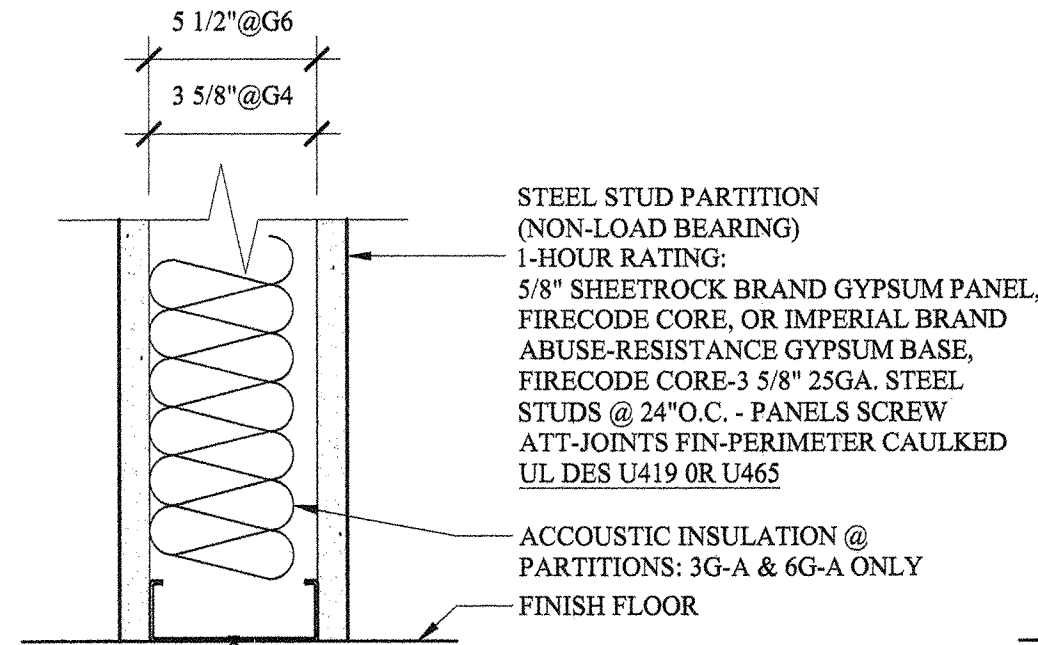
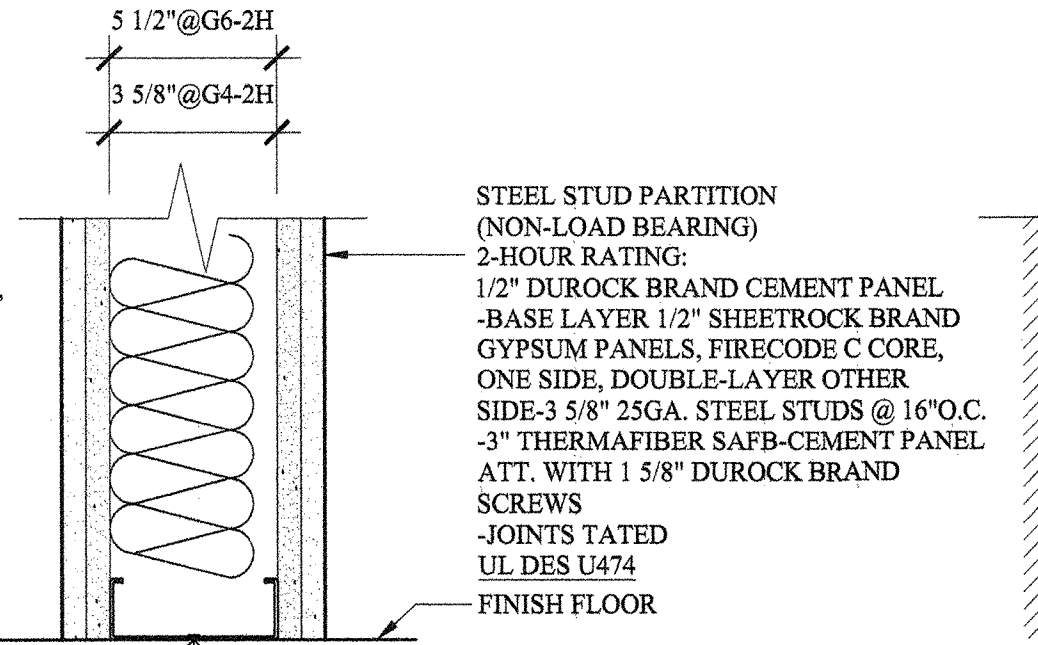


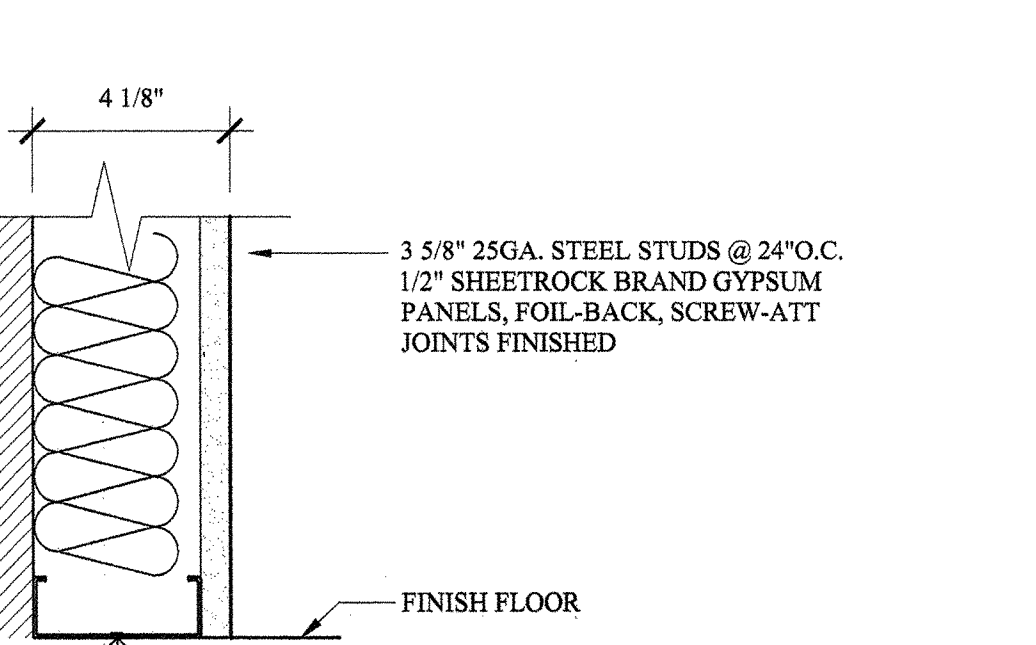
1 NORTH ELEVATION
 SCALE: 1/8" = 1'-0"



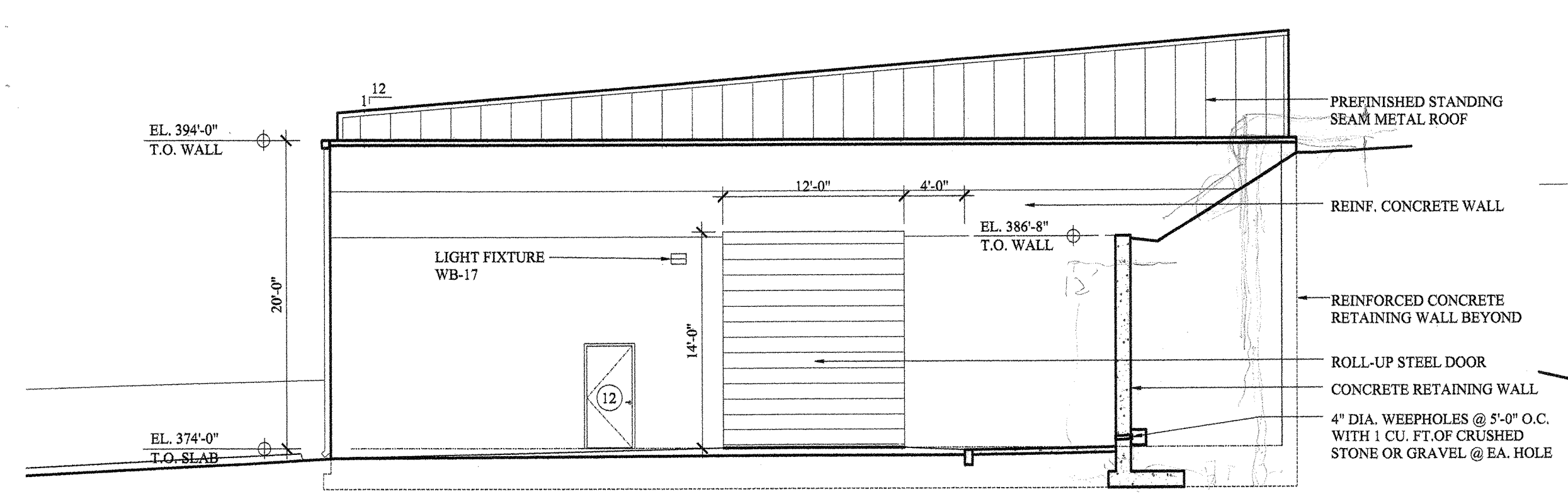
6 WALL TYPES:
 G4, G4-A, G6 & G6-A
 SCALE: 3" = 1'-0"



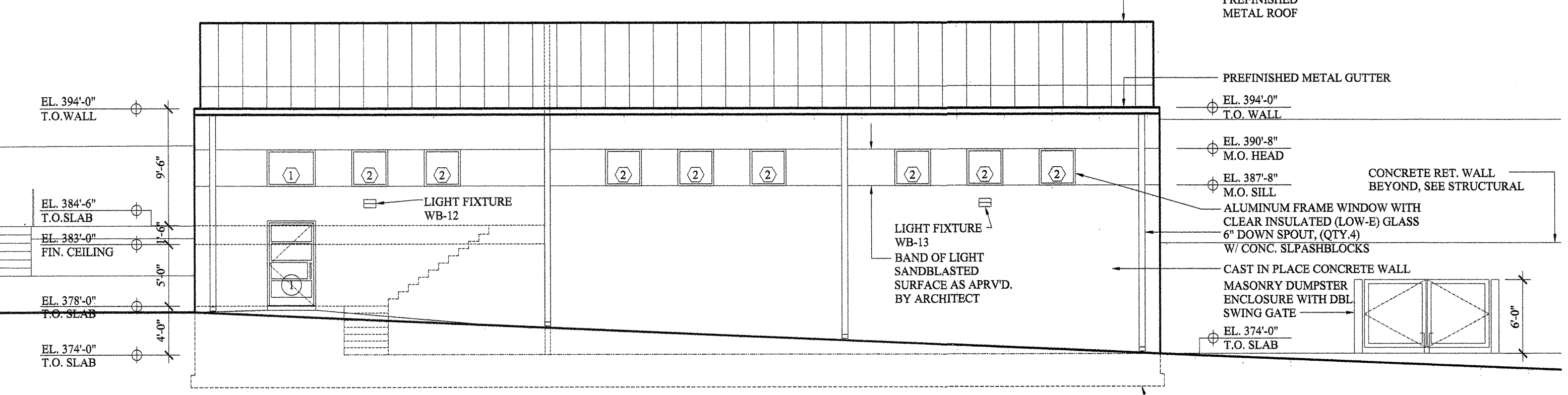
7 WALL TYPES:
 G4-2H & G6-2H
 SCALE: 3" = 1'-0"



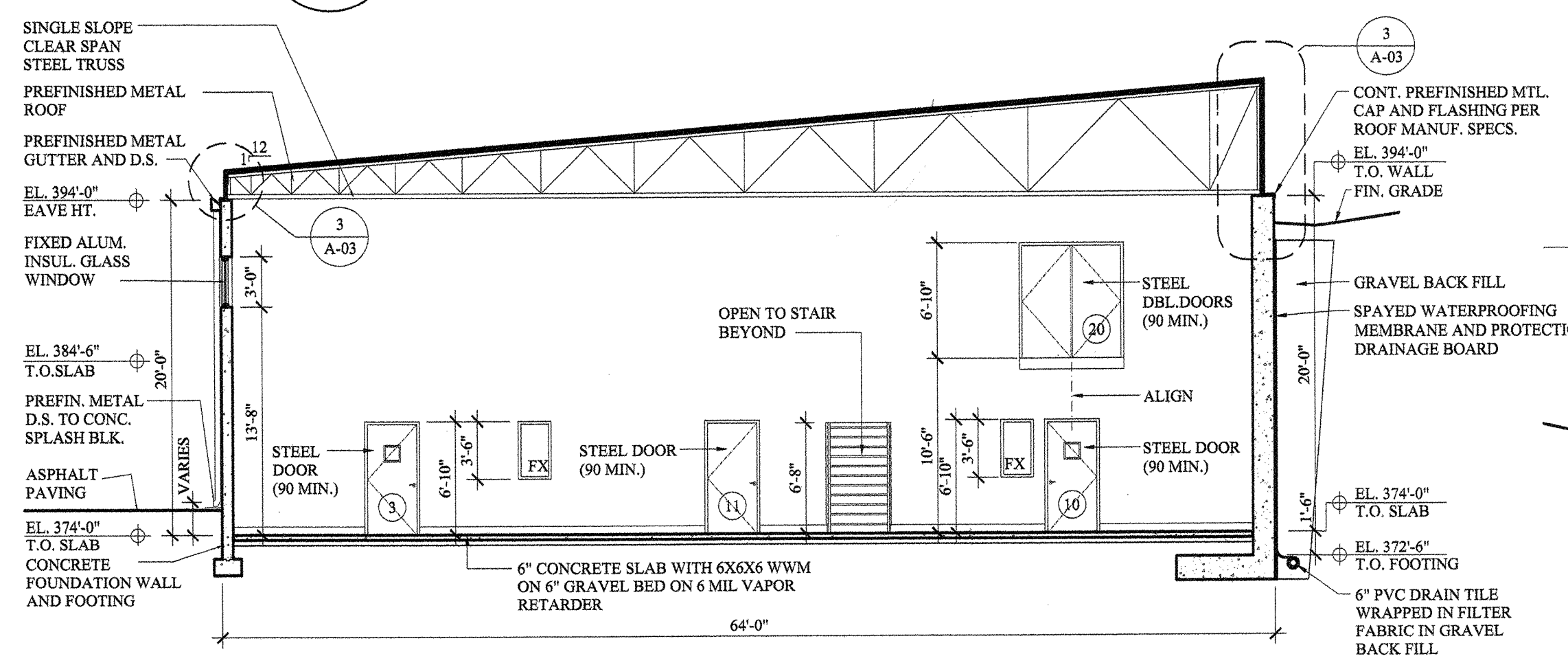
8 WALL TYPE G4-F
 SCALE: 3" = 1'-0"



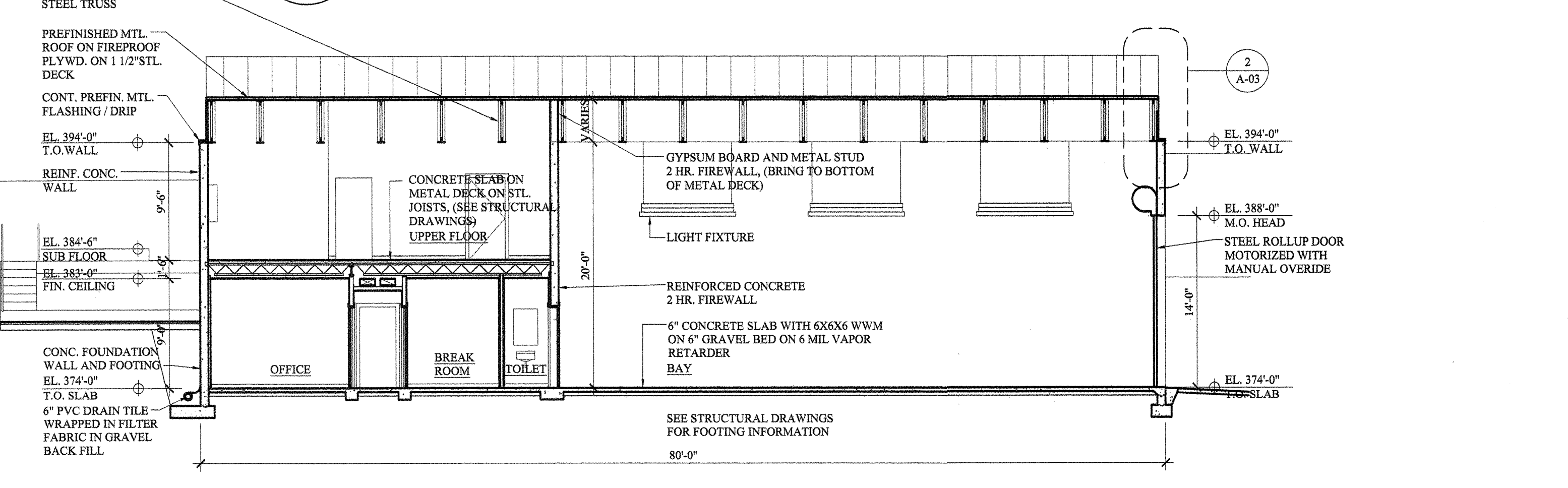
2 SOUTH ELEVATION
 SCALE: 1/8" = 1'-0"



4 WEST ELEVATION
 SCALE: 1/8" = 1'-0"



3 BUILDING SECTION
 SCALE: 1/8" = 1'-0"



5 BUILDING SECTION
 SCALE: 1/8" = 1'-0"

PROJECT

BROADWAY COURT
 BROADWAY STREET
 ALBEMARLE COUNTY, VIRGINIA

REVISIONS

10-16-03	CONCRETE SHELL
1-26-04	REVISED ELEVATIONS
1-27-04	PLAN CHECK
03-23-04	PERMIT SET
04-23-04	CONSTRUCTION SET

TITLE
ELEVATIONS AND SECTIONS
 SCALE: AS NOTED

SHEET NUMBER / DATE
A-02
 JANUARY 26, 2004

DO NOT SCALE DRAWINGS.
 REPORT DISCREPANCIES TO ARCHITECT.