

4180 S. Creek Rd
N Creek Rd

TO TRAFFIC LIGHT AT
AMNICOLA HWY.

S. CREEK RD

BLDG. "A"
6,448 sf

BLDG. "B"
29,143sf

BLDG. "D"
80,976 sf

BLDG. "C"
2,572 sf

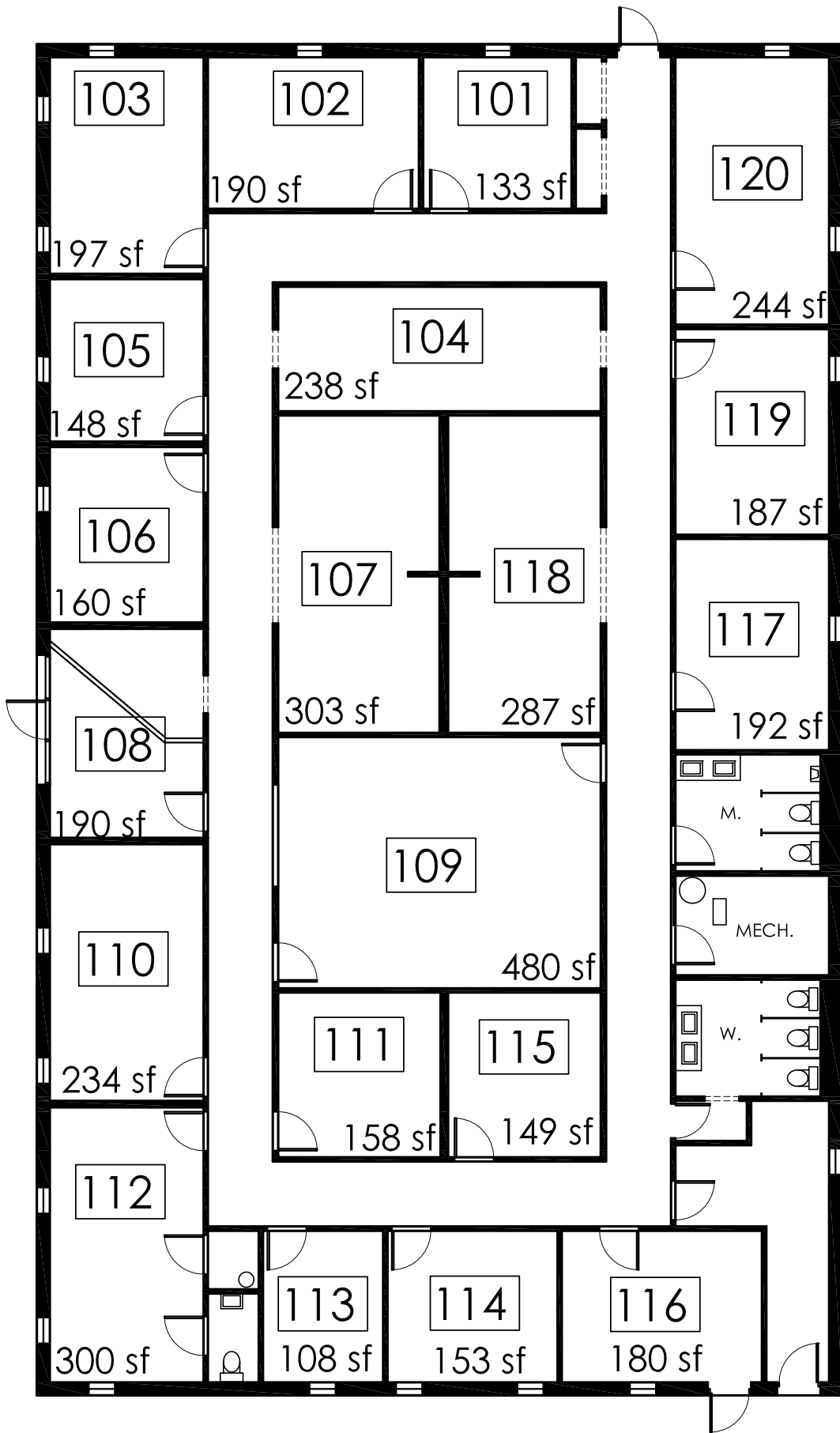
GATEHOUSE
144 sf

21.61 ACRES

ENTRANCE

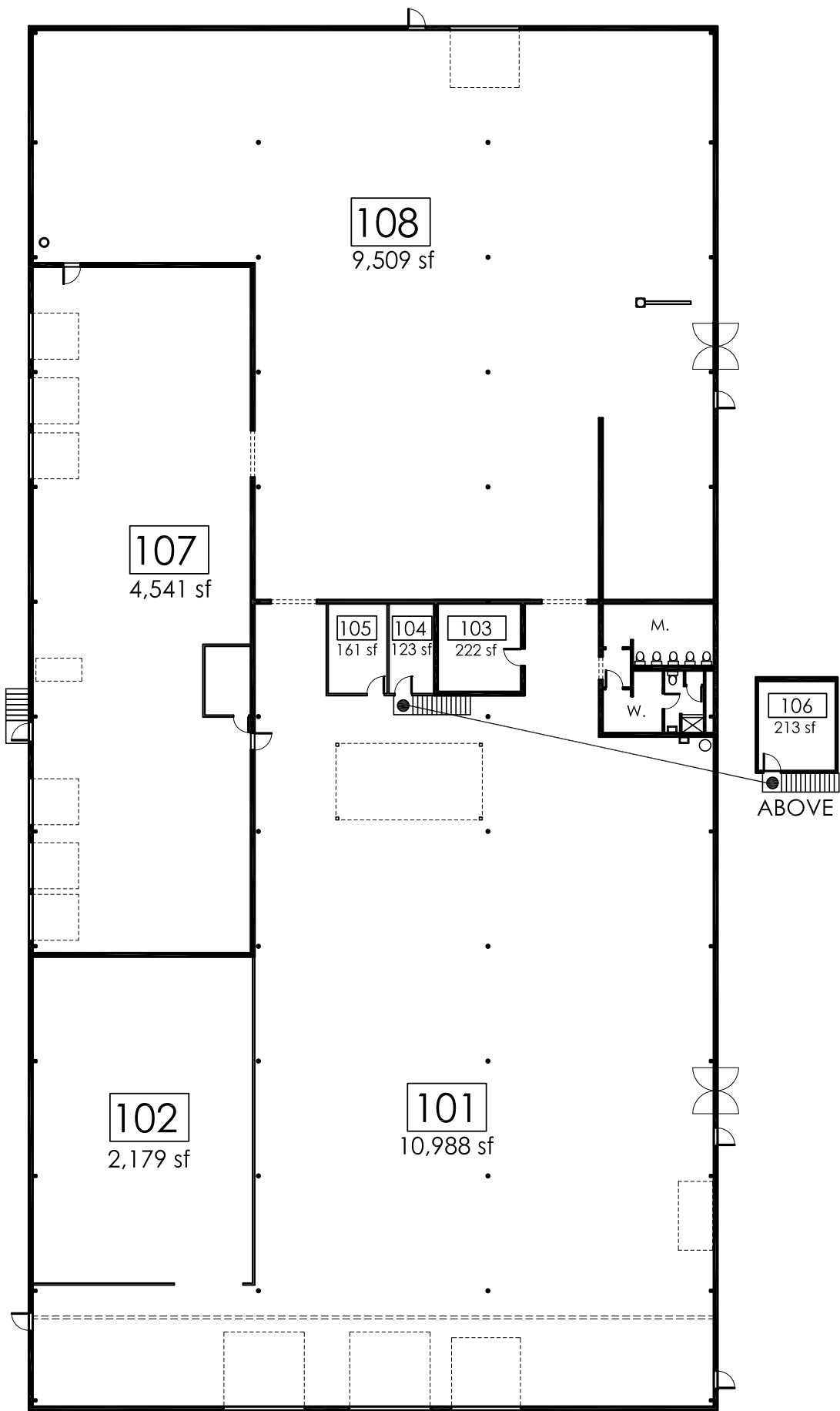
GATE





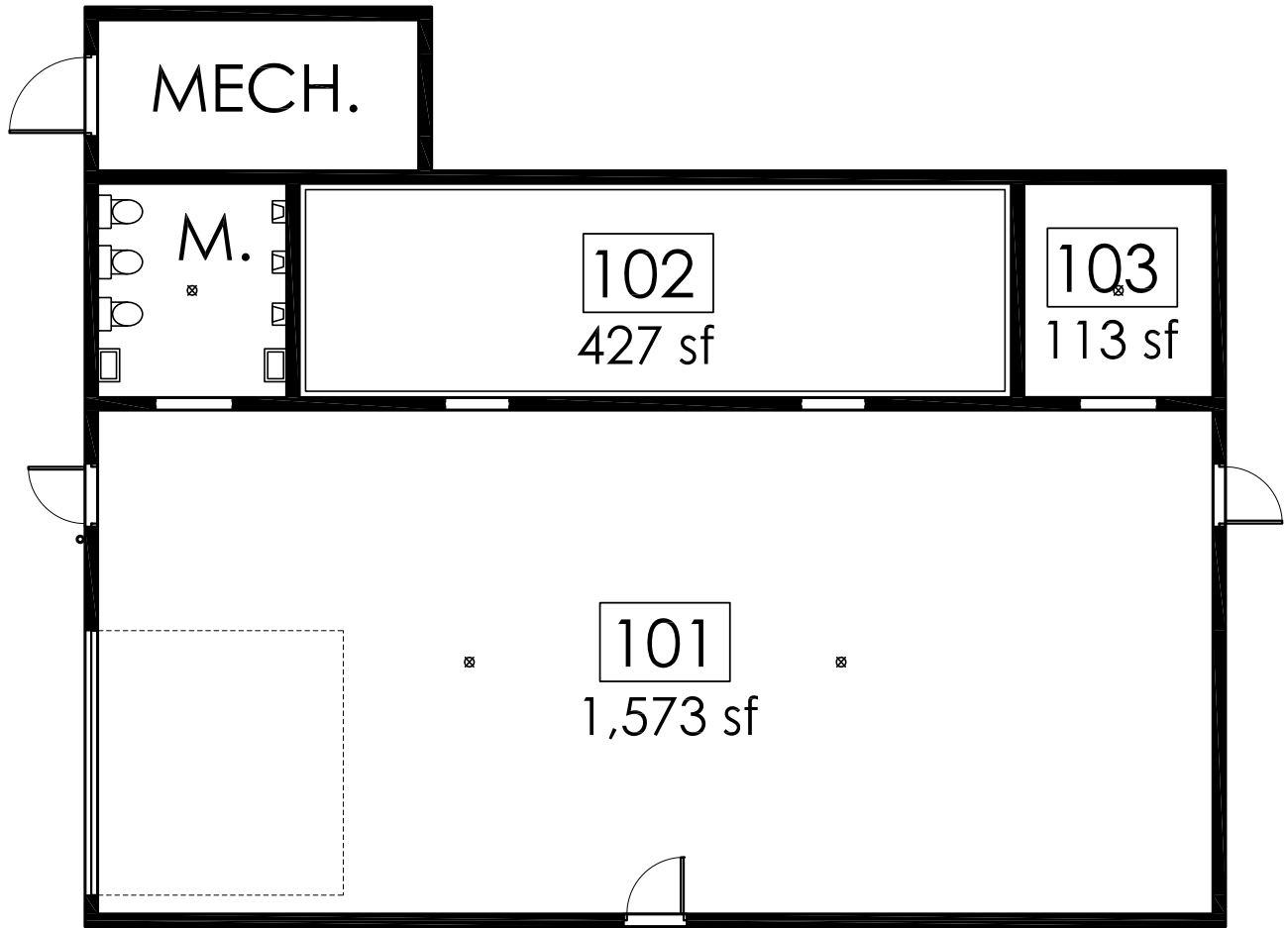
BLDG. "A"

6,448 SF



BLDG. "B"

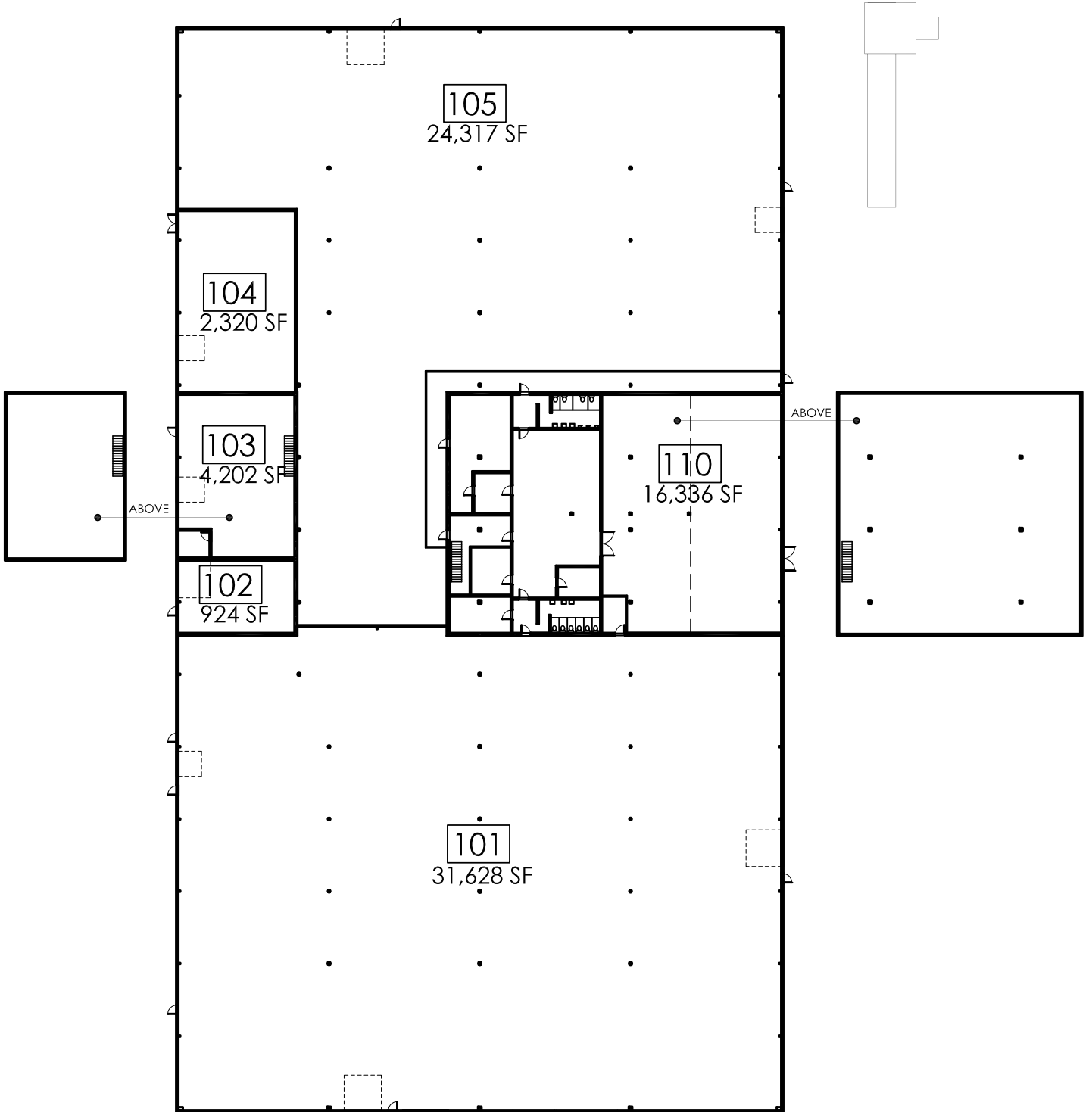
29,143 SF



BLDG. "C"

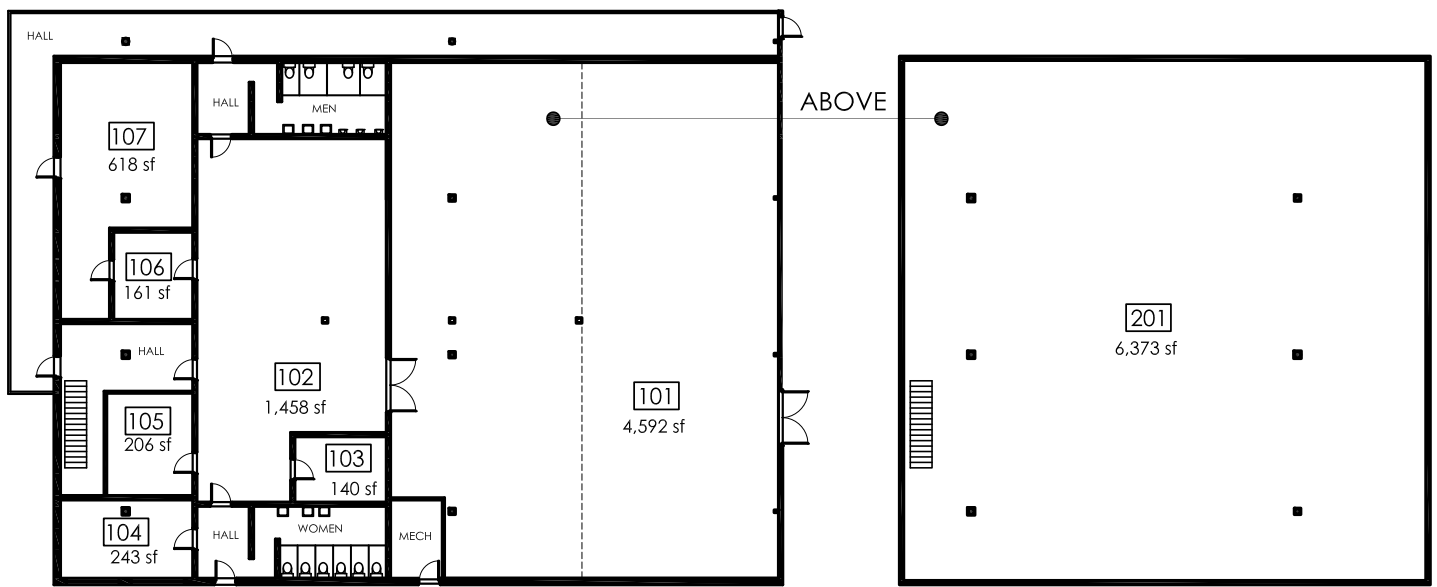
2,572 SF

RAMP/DOCK



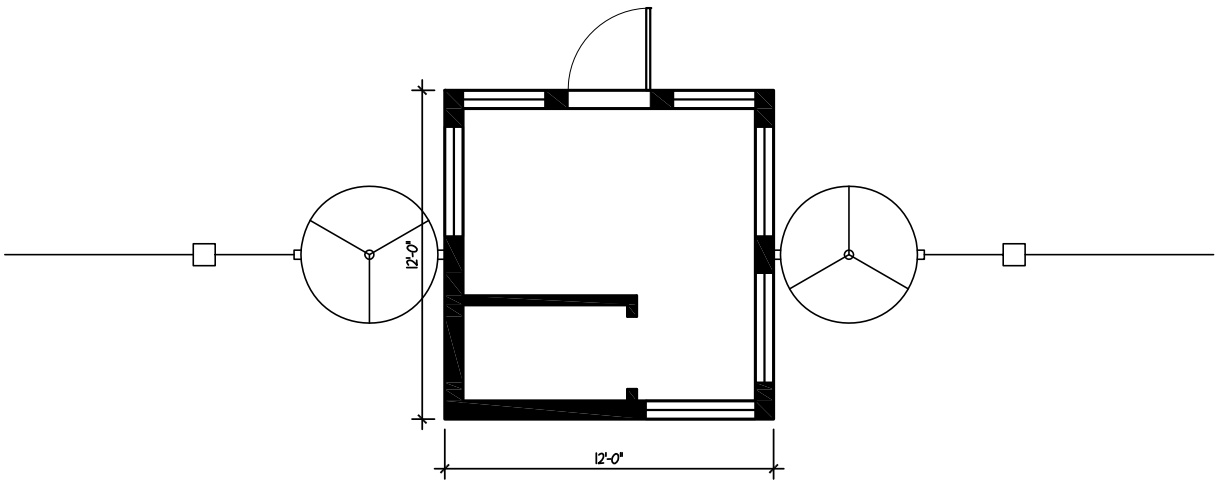
BLDG. "D"

80,976 SF



BLDG. "D", SUITE 110

16,336 SF



GUARDHOUSE

144 SF