

13253 La Montana Dr.
Fountain Hills, AZ 85268



Property Amenities

- Santa Fe Style Architecture
- Central Tiled Courtyard
- Most Suites have Restrooms
- High Speed Internet Available
- Tenant Controlled Temperature
- Prominent Signage at Front of Building
- Building Directory at Back Entrance
- Located in Fountain Hills Business District

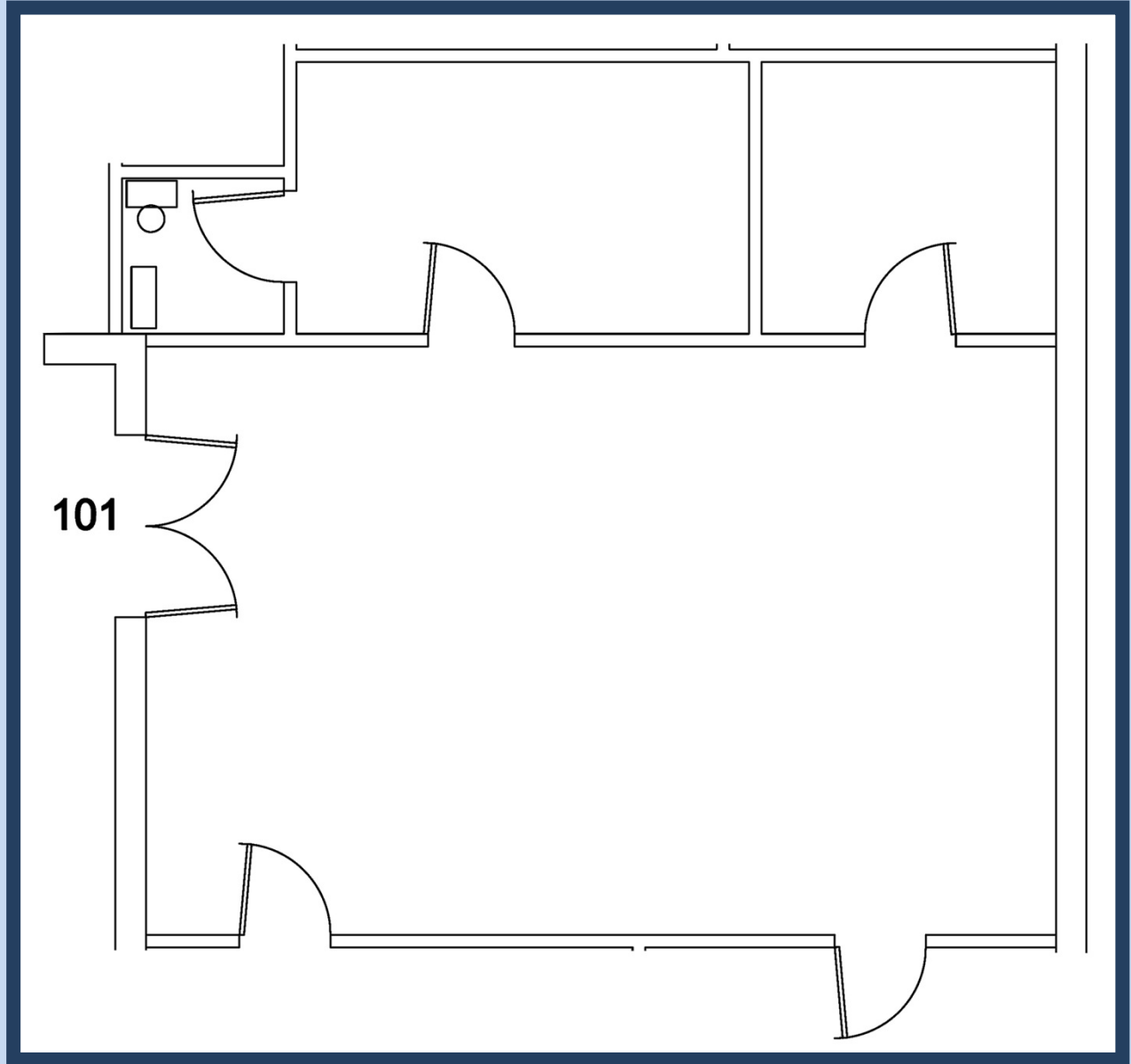
For over twenty years, our company has owned and operated office buildings. We are a family owned and operated business and strive for the best in customer satisfaction.

Scan the QR Code below to easily access our website: www.FountainHillsOffice.com

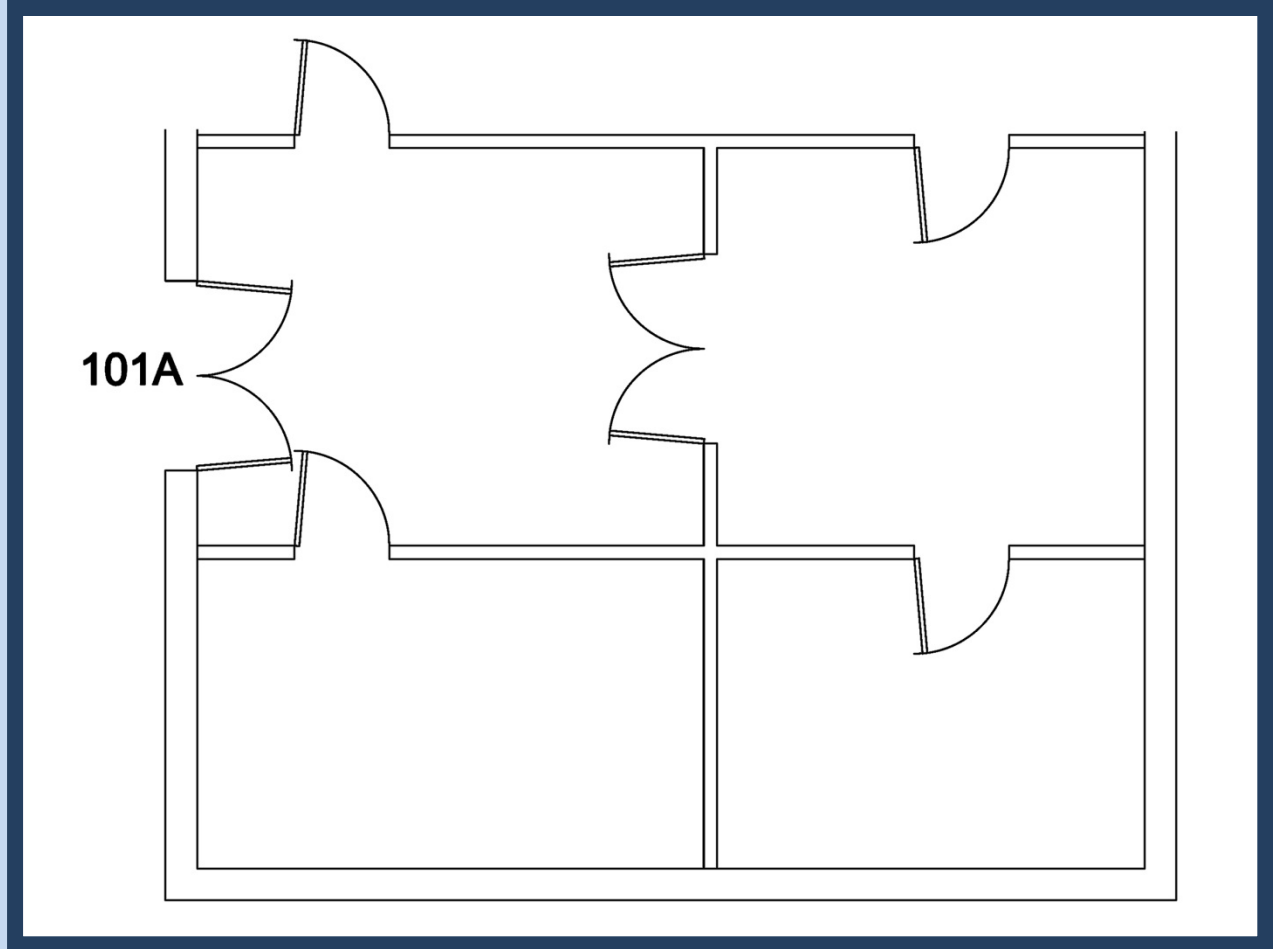


Ryan Moats
RyanMoats@Gmail.com
602-633-4640 (Office)
888-779-0008 (Fax)

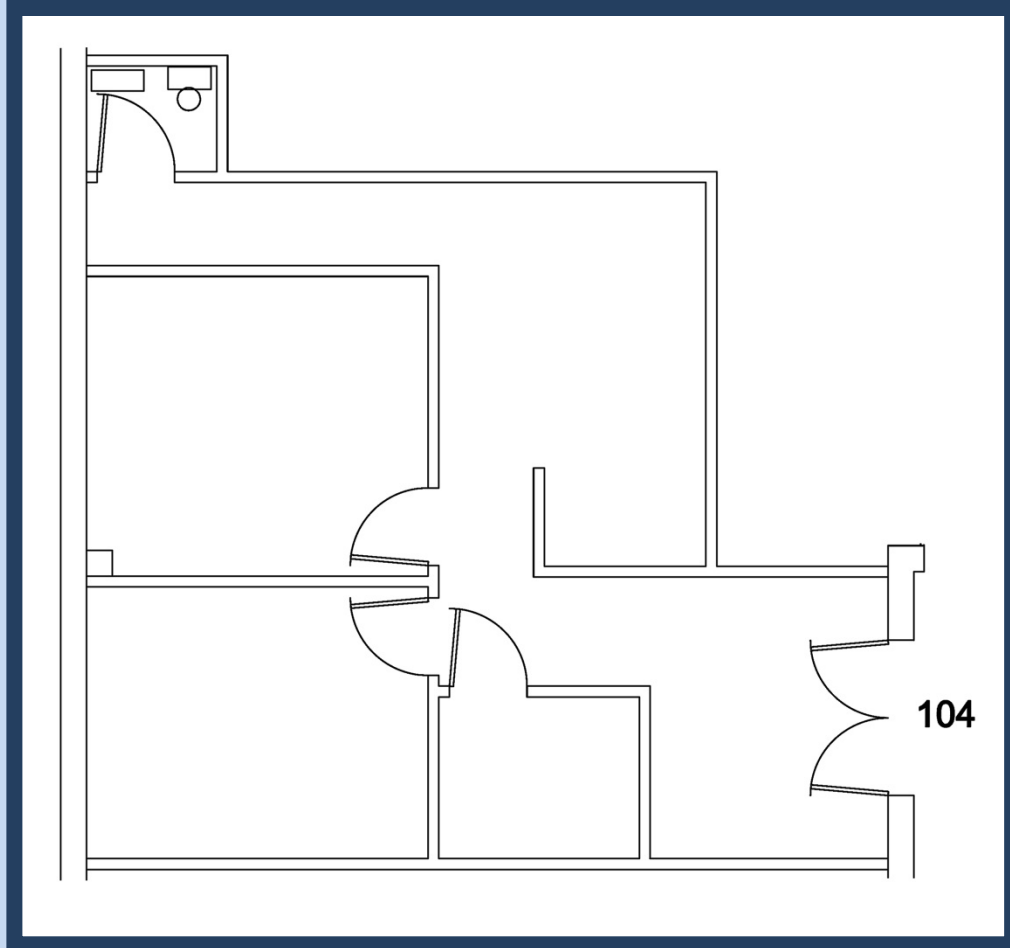




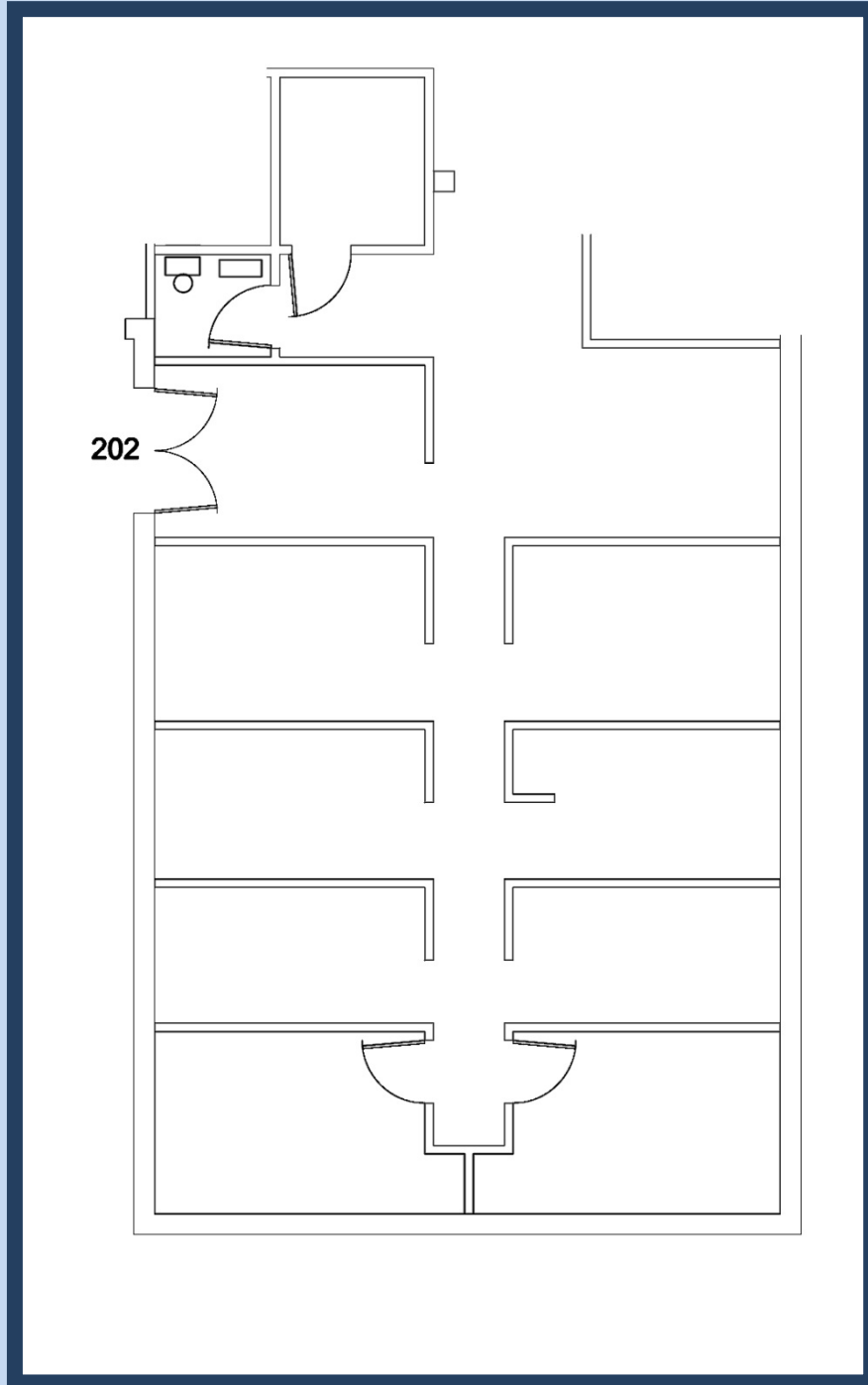
848 Rentable Square Feet



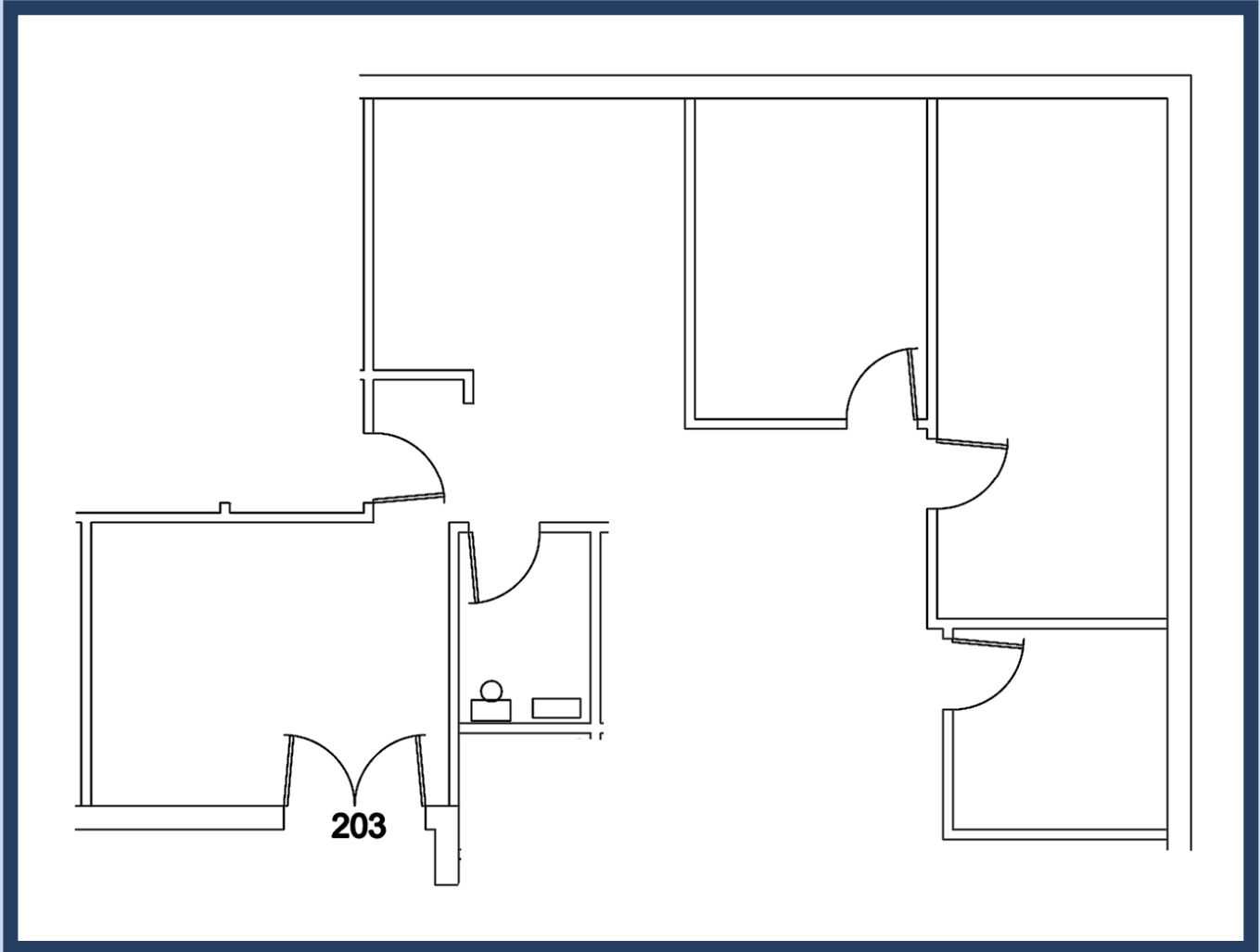
684 Rentable Square Feet



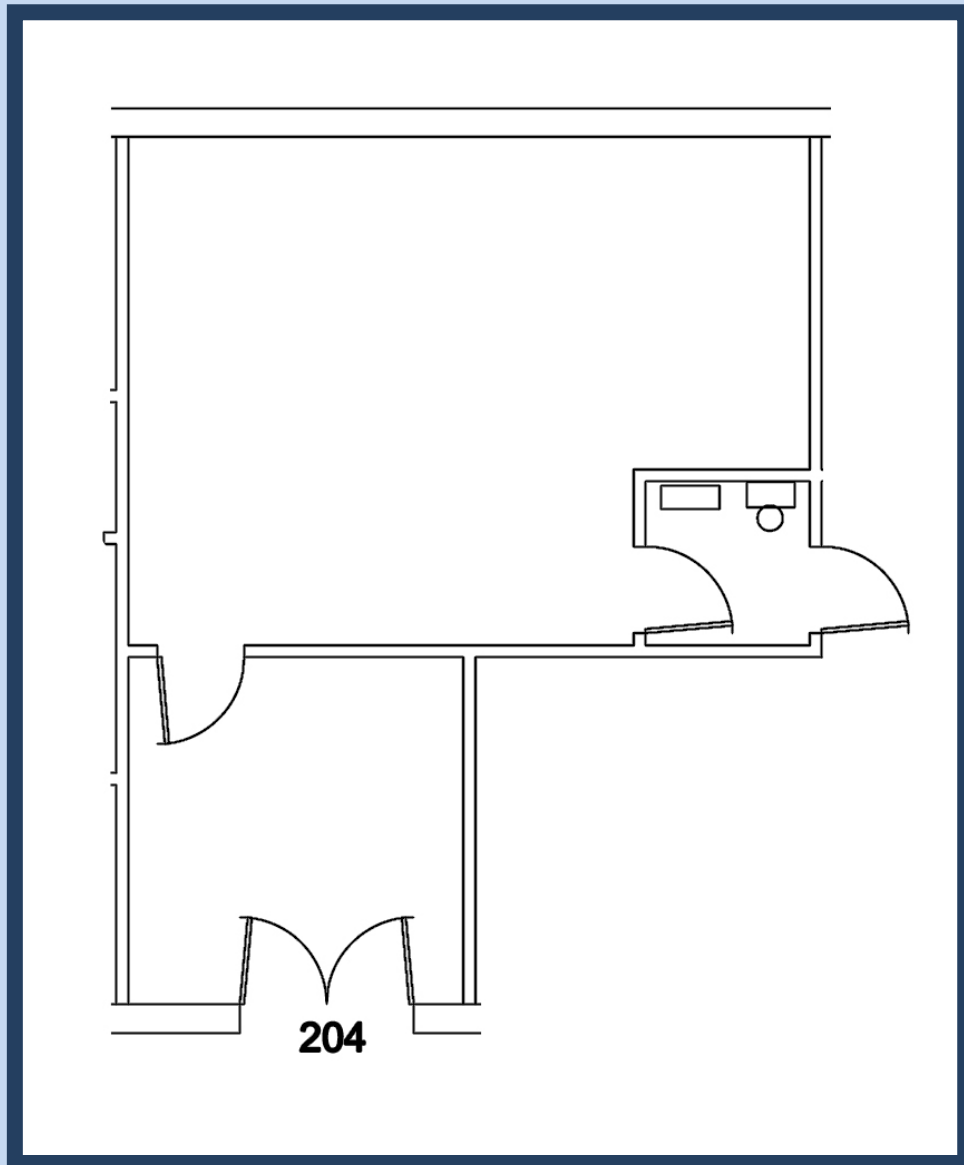
726 Rentable Square Feet



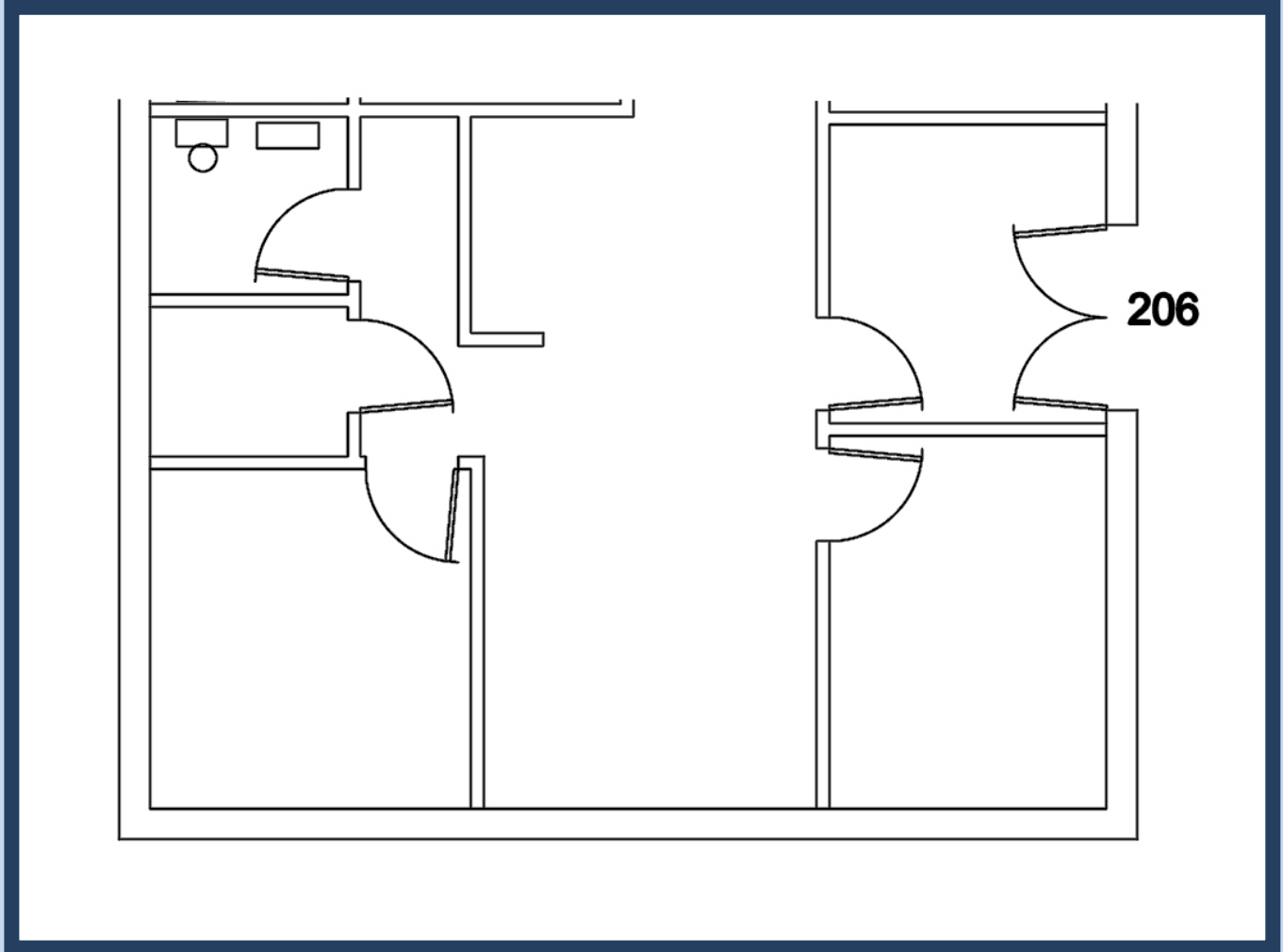
1,402 Rentable Square Feet



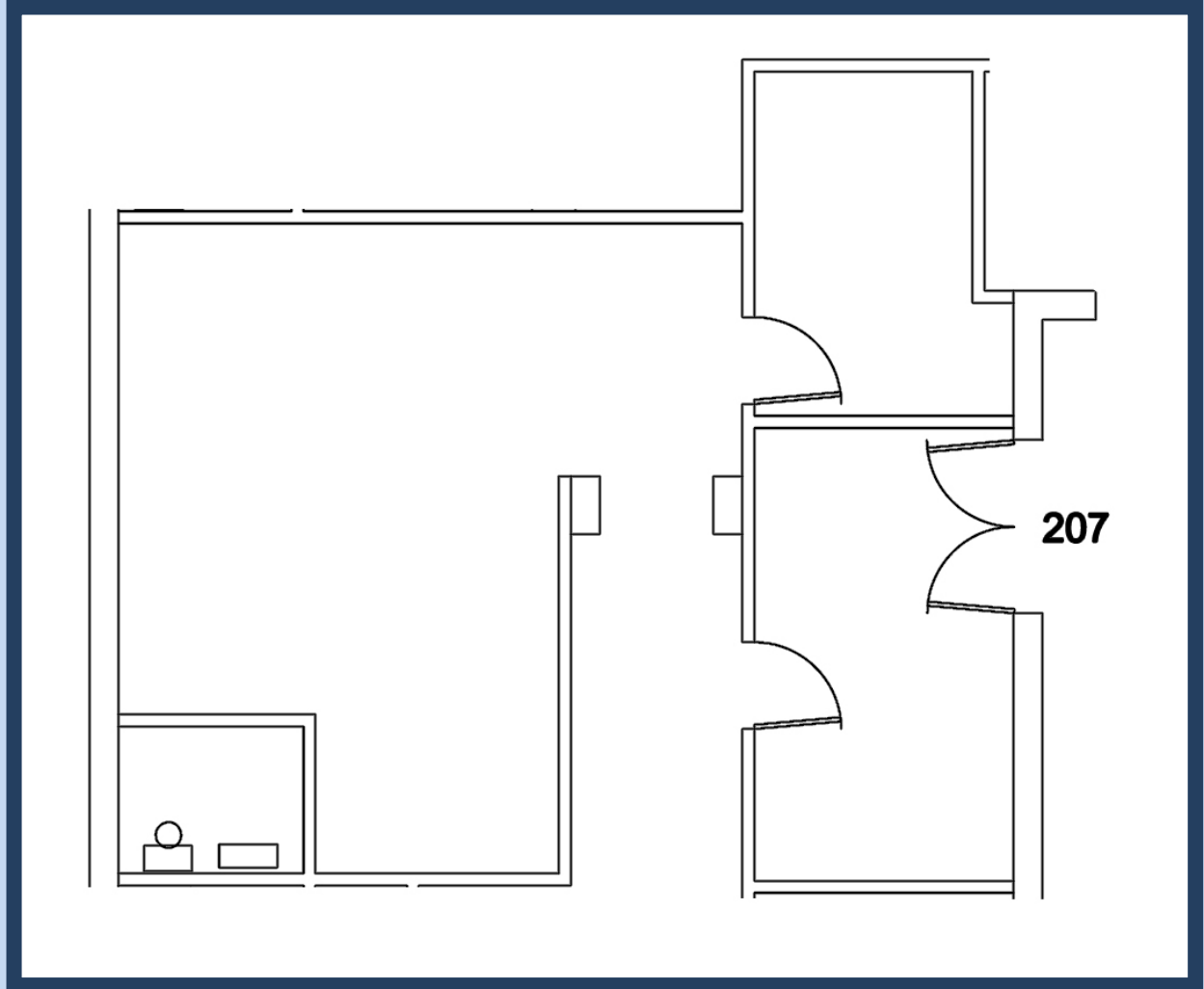
945 Rentable Square Feet



558 Rentable Square Feet



691 Rentable Square Feet



737 Rentable Square Feet