

FIRST KEYSTONE INDUSTRIAL PARK

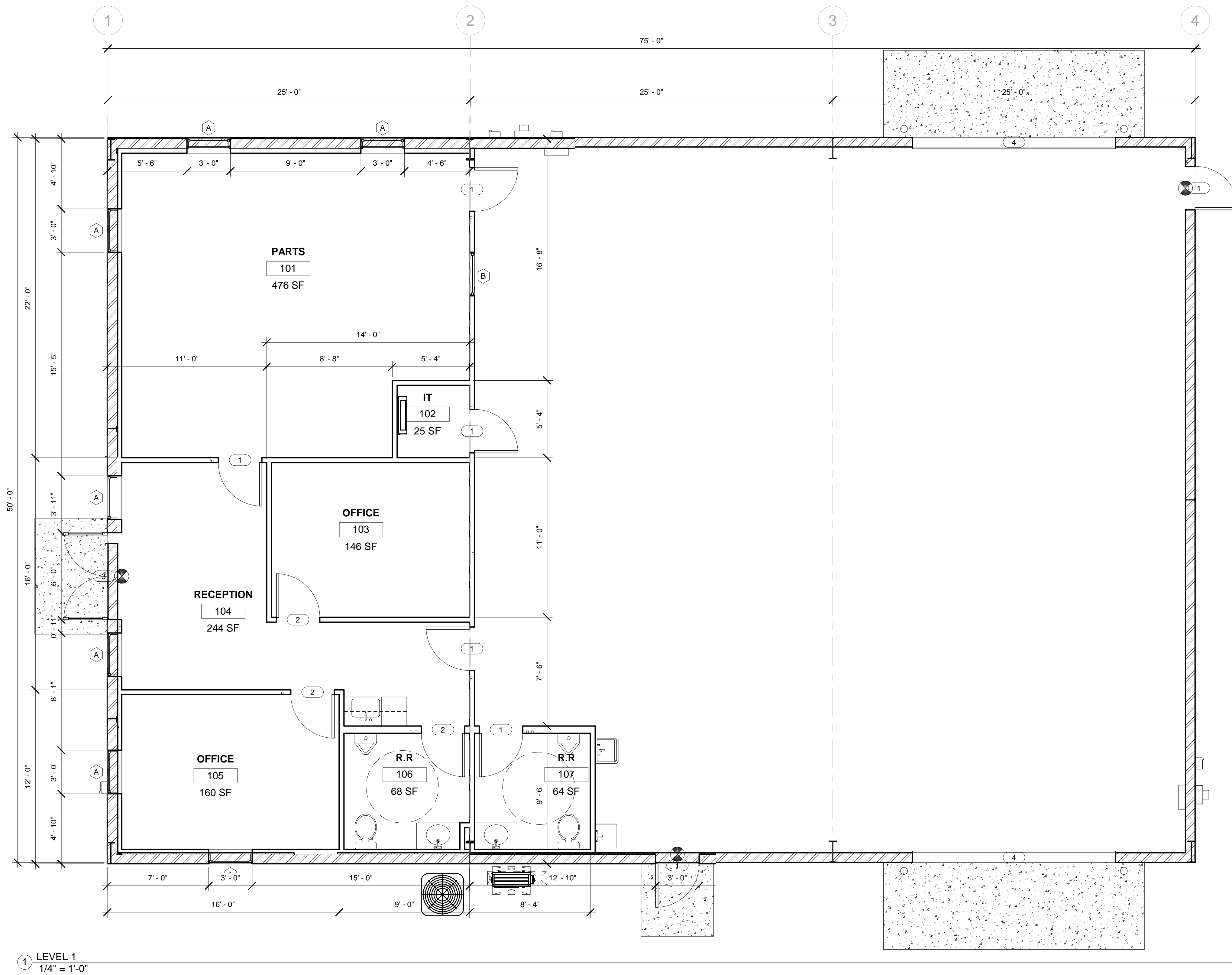
PECOS, TX FLOOR PLAN

Project number -
 Date 10/26/18
 Drawn by RP
 Checked by RF

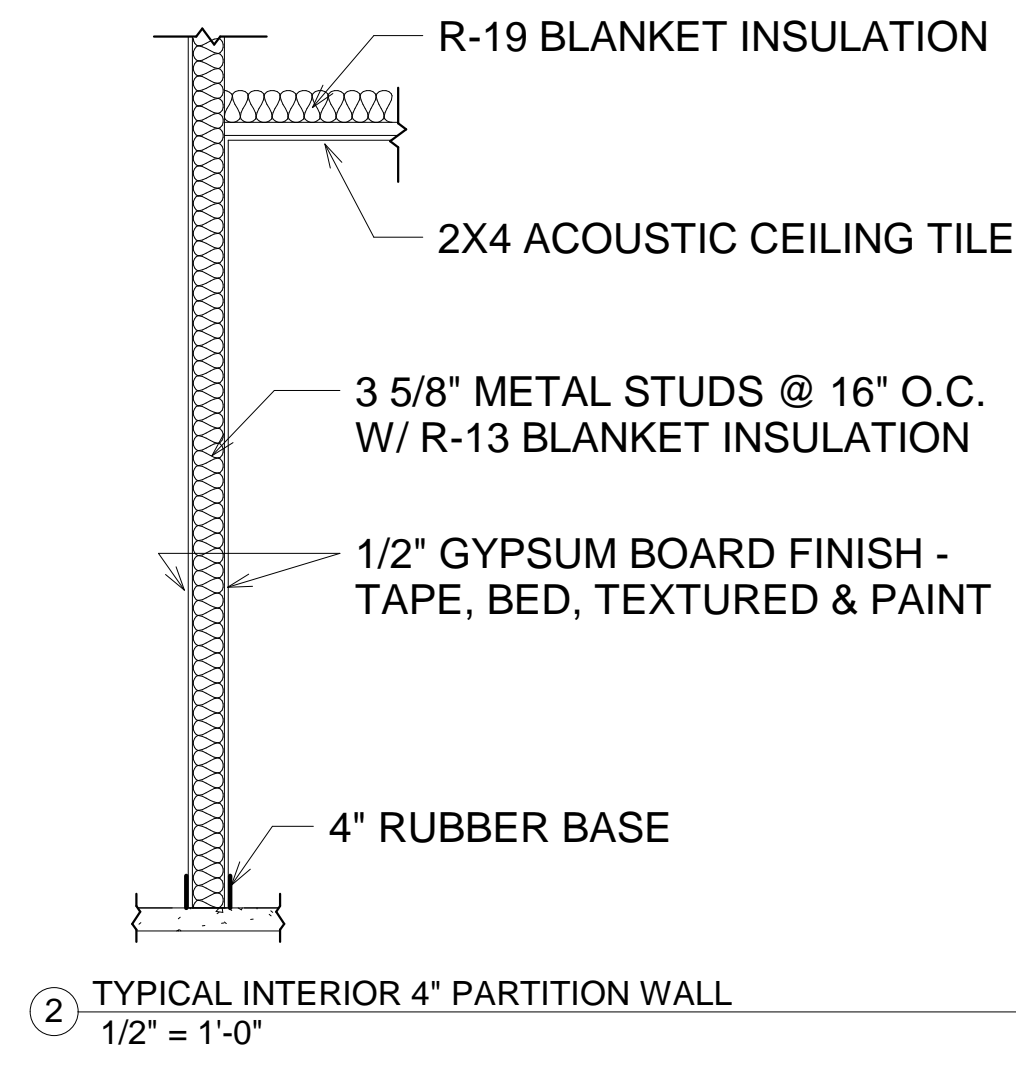
A101

Scale As indicated

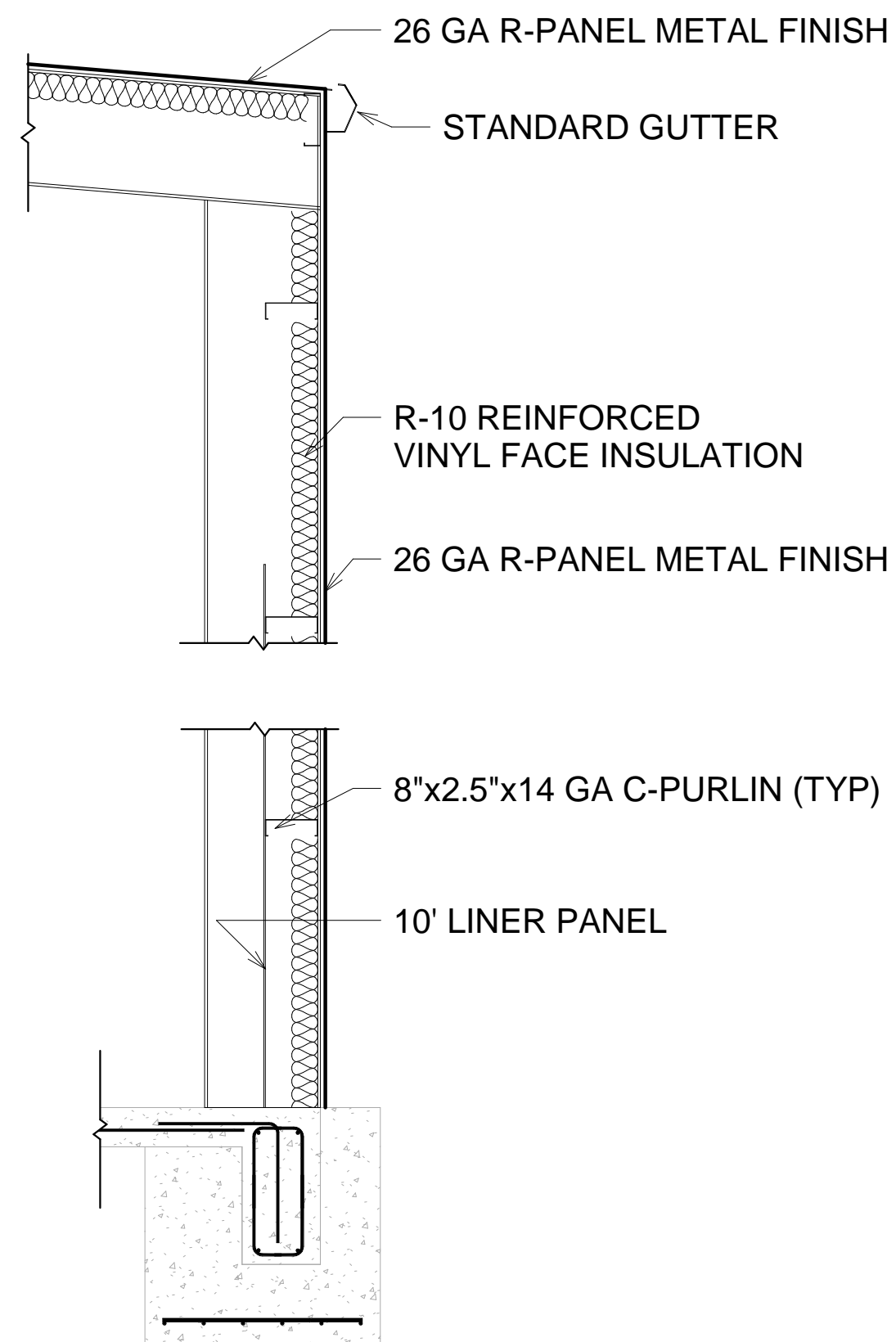
11/13/2018 10:30:44 AM



① LEVEL 1
 1/4" = 1'-0"

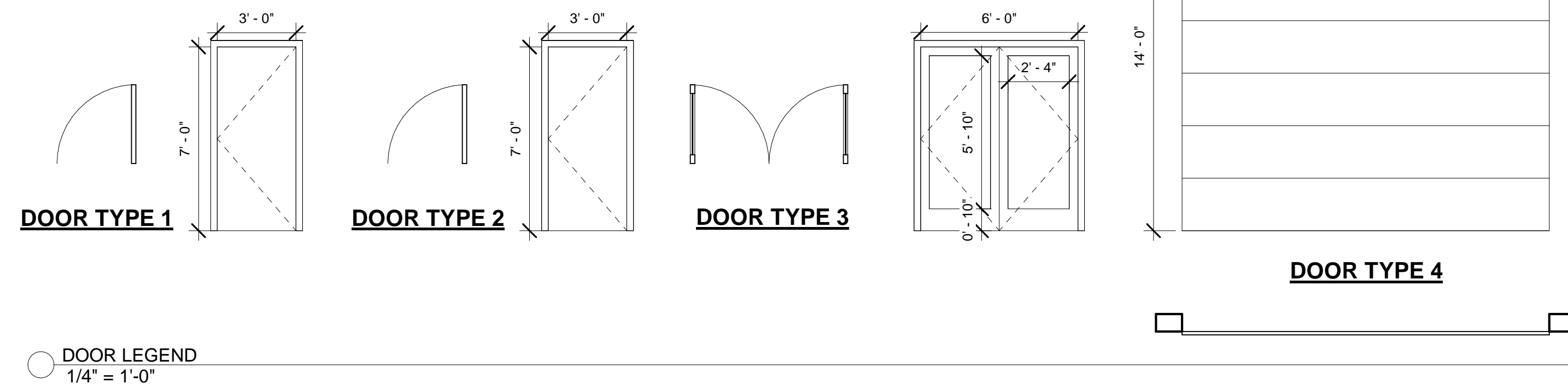


② TYPICAL INTERIOR 4" PARTITION WALL
 1/2" = 1'-0"



③ TYPICAL EXTERIOR 8" METAL WALL
 1/2" = 1'-0"

DOOR SCHEDULE							
MARK	QUANTITY	SIZE		CONSTRUCTION TYPE	FINISH	FRAME MATERIAL	COMMENTS
		WIDTH	HEIGHT				
1	2	3'-0"	7'-0"	INSULATED METAL	PRIMER	STEEL	
2	1	3'-0"	7'-0"	SOLID WOOD CORE	PRIMER	STEEL	
3	1	6'-0"	7'-0"	TEMPERED LOW-E BRONZE GLASS	-	ALUMINUM	
4	2	14'-0"	14'-0"	INSULATED STEEL BACK SECTIONAL	PAINT	STEEL	



DOOR LEGEND
 1/4" = 1'-0"