

7126 | 29  
SCALE 1" = 50'

ST.

40 CEDAR

1997

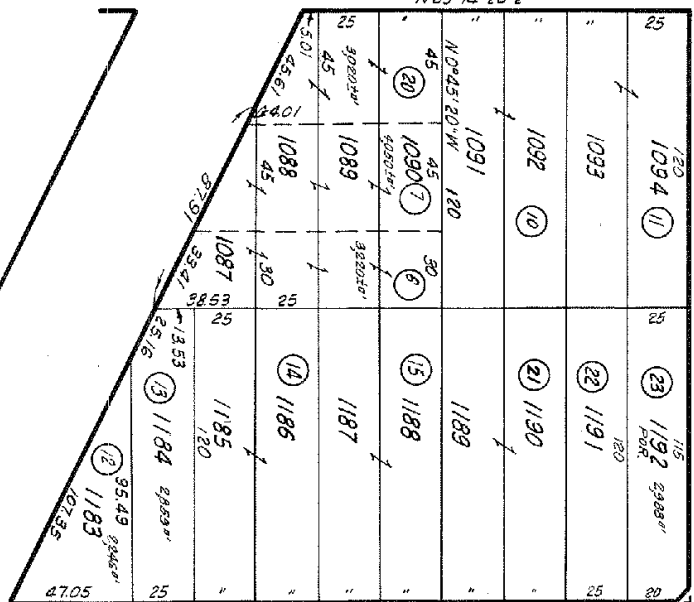
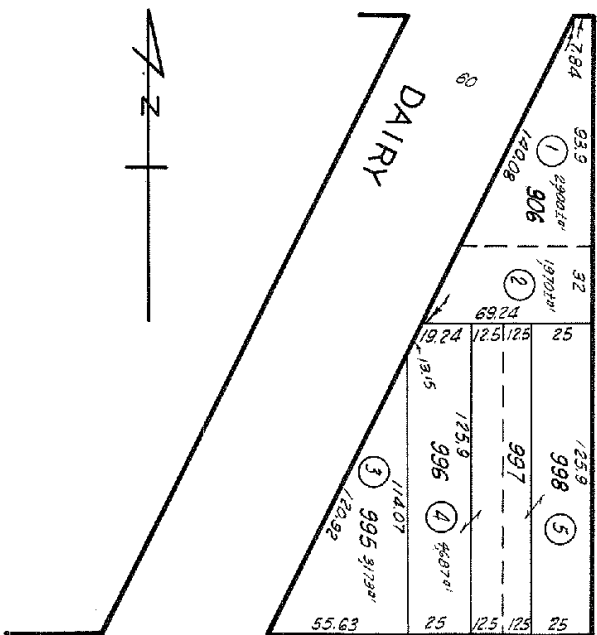
AVE. 8

AVE. 8

55TH

50 LOUISE ST.

60 ST.



TRACT NO. 5134  
M. B. 59 - 63 - 64

CODE  
4992

1-9-59  
2-11-59  
7090607  
9809/12

FOR PREV. ASSM'T. SEE: 1869 - 29

ASSESSOR'S MAP  
COUNTY OF LOS ANGELES, CALIF.