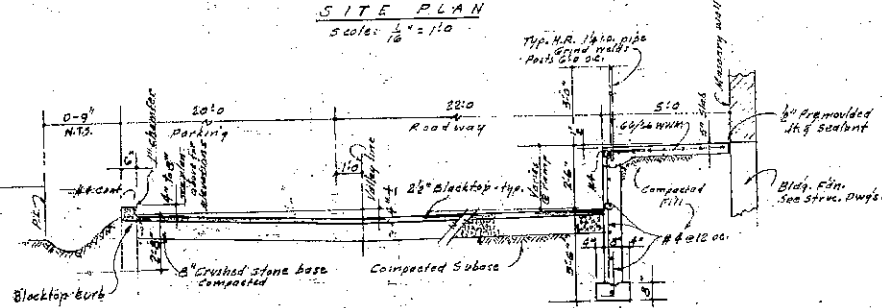
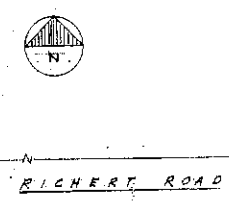
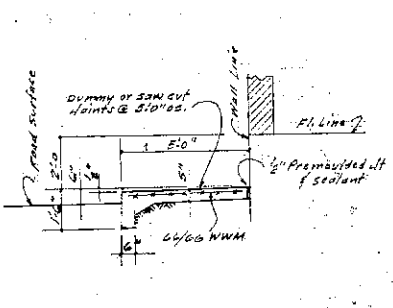


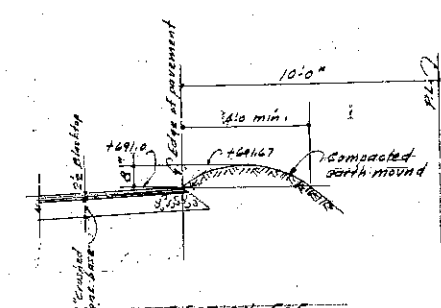
SITE PLAN
Scale: 1/8" = 1'-0"



SECTION A-A
Scale: 8/16" = 1'-0"



SECTION B-B



SECTION C-C

The undersigned certifies that all work performed on this project was under his direct supervision and that to the best of his knowledge the work represented by drawings A-1 through A-5 complies with local, state, and federal codes, ordinances, and regulations having jurisdiction.

James P. Barris

JAMES P. BARRIS & ASSOCIATES
ENGINEERS
3280 BASTWICK LN.
NORTH BROS. ILLINOIS
418-4887

VENUS LABORATORIES, INC.
WOODRIF ILLINOIS

SITE PLAN		
REV. 2	REV. 1	A-1
10/2/74	4/25/74	