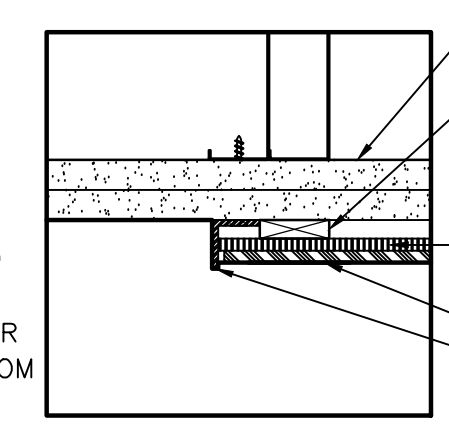
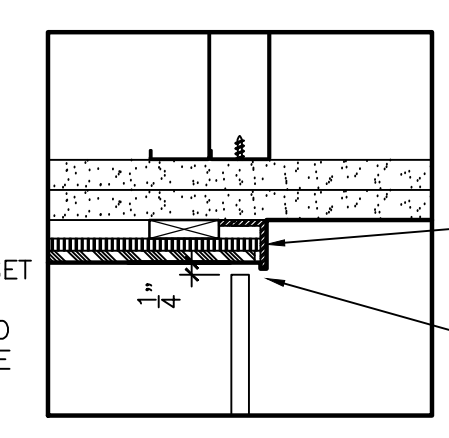
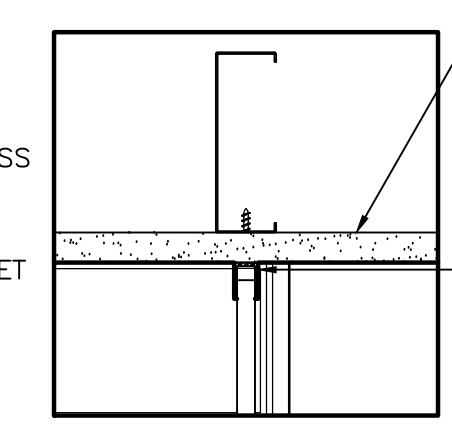
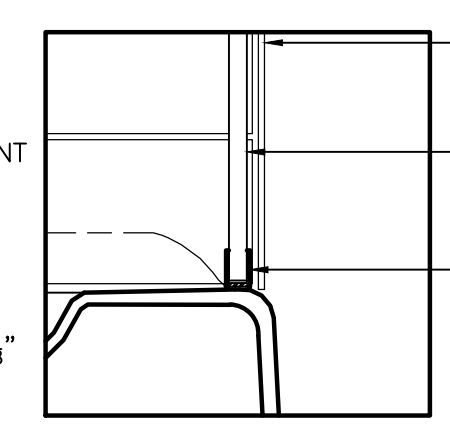
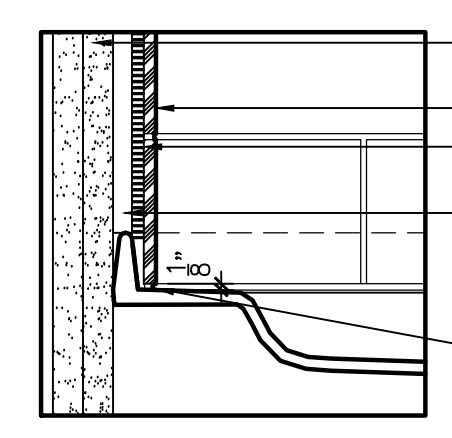
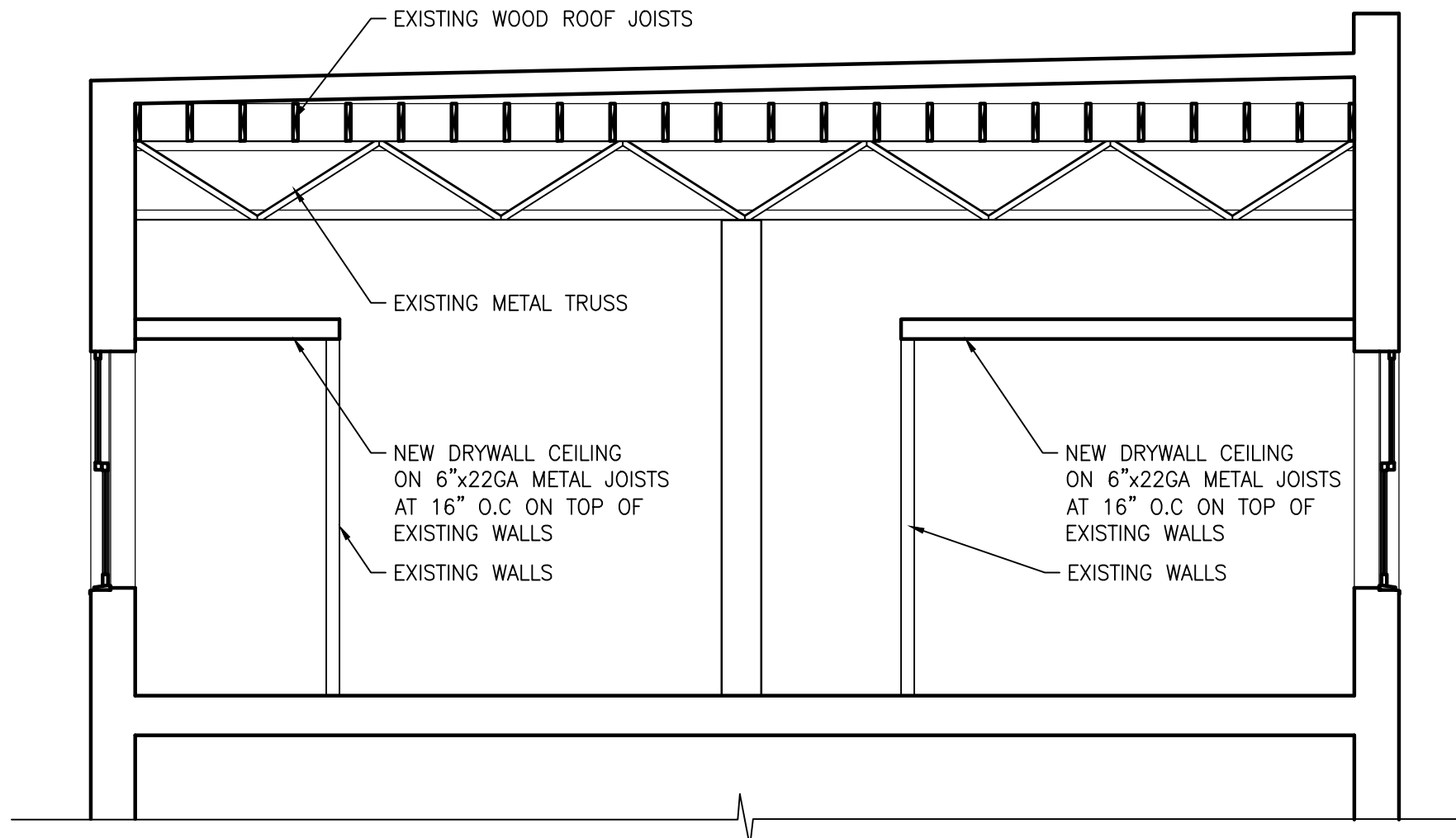


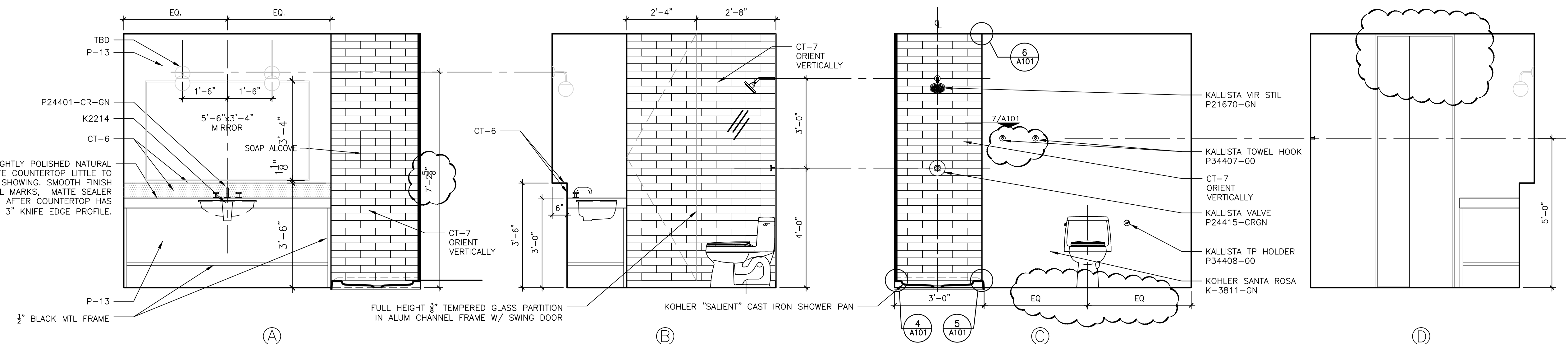
RENOVATION
DOCTOR'S BUILDING
 33 EAST 7TH STREET
 COVINGTON, KY

SHEET NOTES:
 DEMO ALL EXISTING PARTITION WALLS SHOWN DASHED
TYPICAL WALL CONSTRUCTION
 [C] 3/2" x 1 1/2" MIN 25 GA MTL STUDS @ 24" O.C. W/ 3" MINERAL WOOL BATT INSUL, 1/2" DEEP MIN 25 GA RESILIENT CHANNEL @ 24" O.C. VERTICALLY W/ (2) 8" TYPE X GYP BD EA. SIDE.
 [H] 6" MIN 25 GA MTL STUD @ 24" O.C. W/ 5" MINERAL WOOL BATT INSUL, 1/2" DEEP MIN 25 GA RESILIENT CHANNEL @ 24" O.C. VERTICALLY W/ 8" TYPE X GYP BD EA. SIDE.



Hub + Weber
 Architects, PLLC
 200 West Pike Street
 Covington, KY 41011
 Ph: 859-491-3844
 Fx: 859-655-3243
 hw@hubweber.com

Issued: 05.01.15
 Revised:
 05.21.15 HISTORIC REVIEW
 06.02.15 MECHANICAL COORDINATION
 06.03.15 INTERIOR COORDINATION
 06.04.15 PERMIT REVIEW
 07.21.15 INTERIOR COORDINATION
 08.24.15 TOILET LOCATION
 08.25.15 DIMENSIONS



FLOOR PLAN

A101