

HEIGHT OF ROOM		HEIGHT OF ROOM	
A. SOUTH 40 WAREHOUSE	20'	a. OUTSIDE SHED	11'-5"
B. SOUTH WAREHOUSE	20'	b. PRIMING WAREHOUSE	16'-10"
C. MAIN OFFICE	8'	c. LAB 1	8'
D. VENDING MACHINES	8'	d. LAB 2	8'
E. WEST ENTRY WAY	8'	e. LAB 3	8'
F. SPIRAL STAIRCASE	13'	f. UTILITY ROOM	8'
G. PARTS ROOM	8'	g. BATHROOM (LAB)	8'
H. CHEMICAL ROOM	10'	h. LAB 4	8'
I. SHOP	12'	i. LAB 5	8'
J. PACKAGING FACILITY	8'	j. PALLETING WAREHOUSE	11'-8"
K. BLENDING WAREHOUSE	21'	k. COATING WAREHOUSE	10'-11"
L. BATHROOM 1	7'	l. BATHROOM (COATING)	8'
M. BATHROOM 2	7'	m. OFFICE	8'
N. PROCESSING	21'	n. COATING 2	24'-7"
O. COFFEE ROOM	7'		
P. PROCESSING WAREHOUSE	10'		
Q. NORTH WAREHOUSE	10'		
R. OFFICE 1	8'		
S. OFFICE 2	8'		
T. OFFICE 3	8'		
U. COFFEE ROOM (OFFICE)	8'		
V. BATHROOM (OFFICE)	8'		
W. OFFICE 4	8'		
X. OFFICE 5	8'		
Y. MEGA ROOM	14'		
Z. POWDER WAREHOUSE	17'		

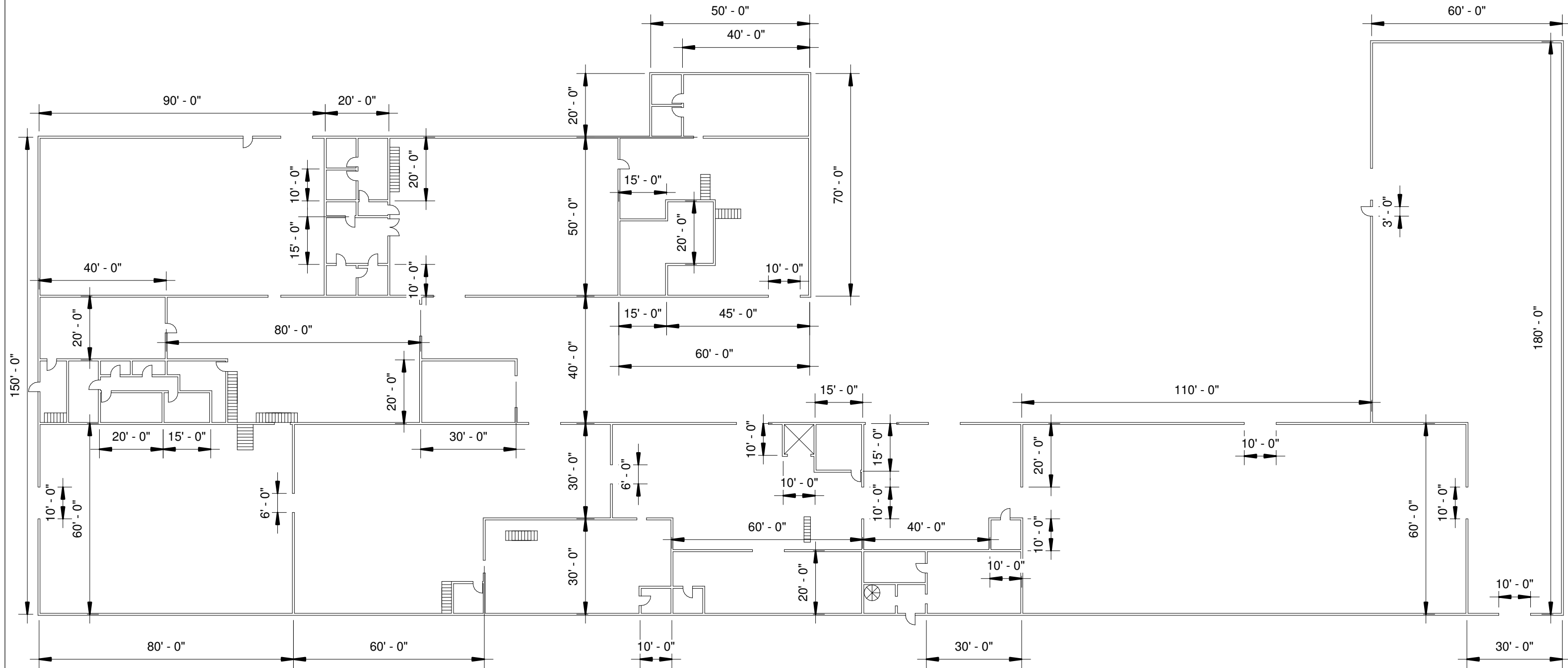
1 FIRST FLOOR  
1" = 30'-0"

# HOLLY SUGAR SEED PLANT

## SHERIDAN, WYOMING

No.	Revision	By	Date

FIRST FLOOR		V1
Project number		
Date	5/9/16	
Drawn by	TONY	
Checked by	MARK	Scale 1" = 30'-0"



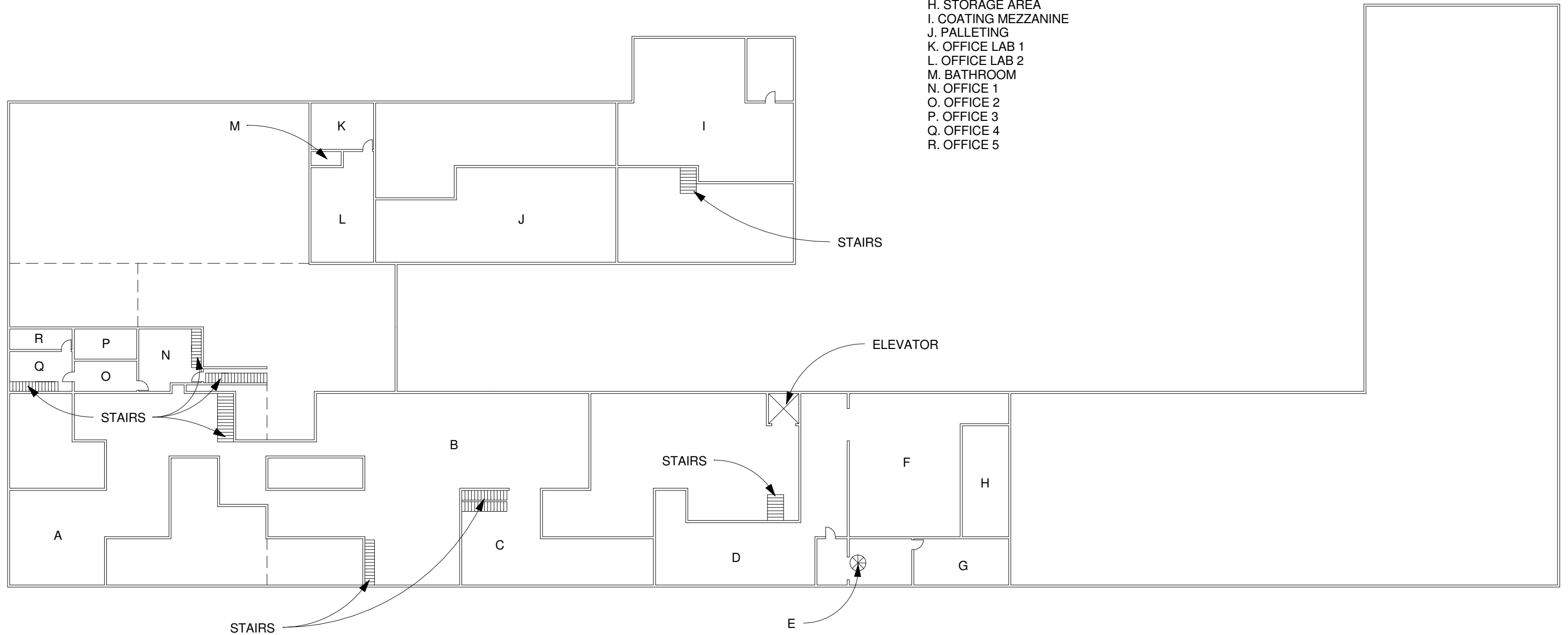
1 FIRST FLOOR DIMENSIONS  
1" = 30'-0"

**HOLLY SUGAR SEED PLANT**  
**SHERIDAN, WYOMING**

No.	Revision	By	Date

FIRST FLOOR DIMENSIONS		
Project number	<b>V2</b>	
Date		5/9/16
Drawn by		TONY
Checked by		MARK
Scale 1" = 30'-0"		

- A. NORTH WAREHOUSE MEZZANINE
- B. PROCESSING WAREHOUSE MEZZANINE
- C. PROCESSING ROOM MEZZANINE
- D. BLENDING WAREHOUSE MEZZANINE
- E. SPIRAL STAIRCASE
- F. LABEL ROOM
- G. LABEL ROOM 2
- H. STORAGE AREA
- I. COATING MEZZANINE
- J. PALLETING
- K. OFFICE LAB 1
- L. OFFICE LAB 2
- M. BATHROOM
- N. OFFICE 1
- O. OFFICE 2
- P. OFFICE 3
- Q. OFFICE 4
- R. OFFICE 5



1 SECOND FLOOR  
1" = 30'-0"

**HOLLY SUGAR SEED PLANT**  
**SHERIDAN, WYOMING**

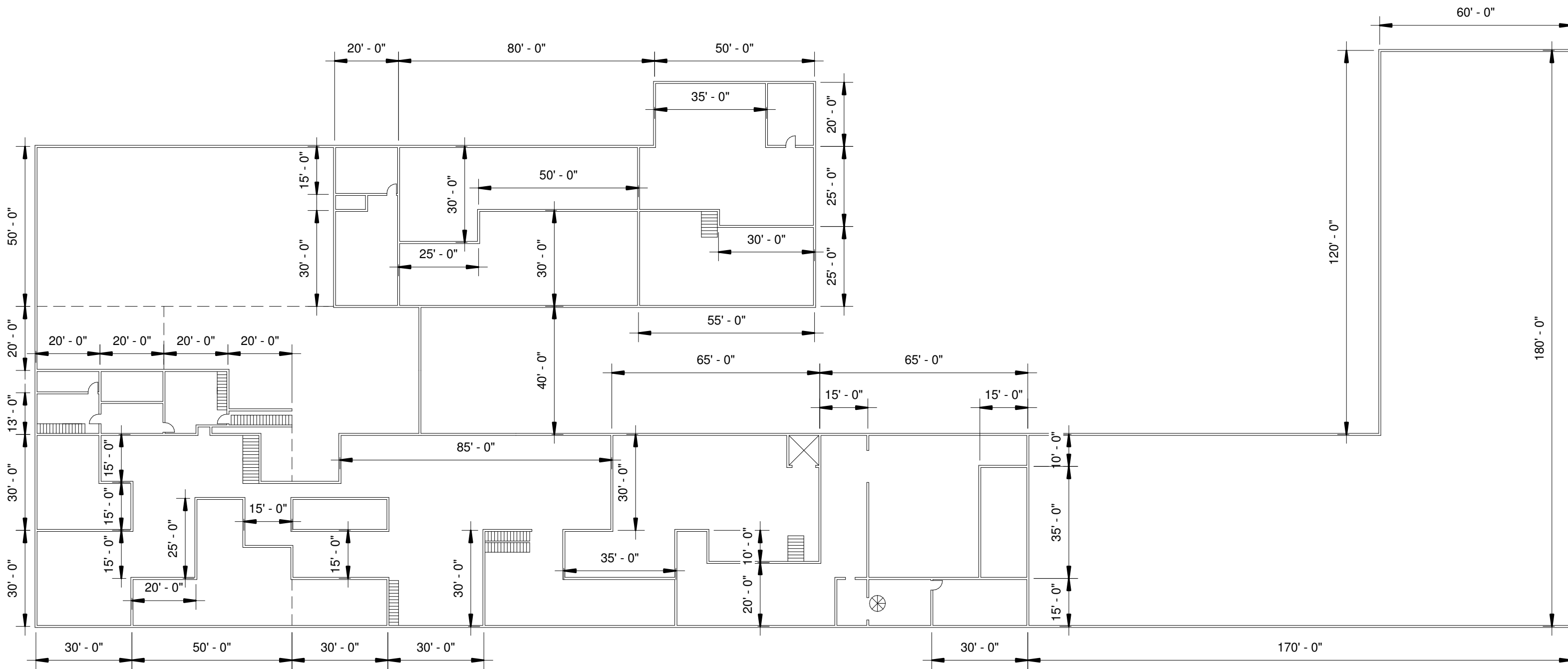
No.	Revision	By	Date

**SECOND FLOOR**

Project number	
Date	5/9/16
Drawn by	TONY
Checked by	MARK

**V3**

Scale 1" = 30'-0"



1 SECOND FLOOR DIMENSIONS  
1" = 30'-0"

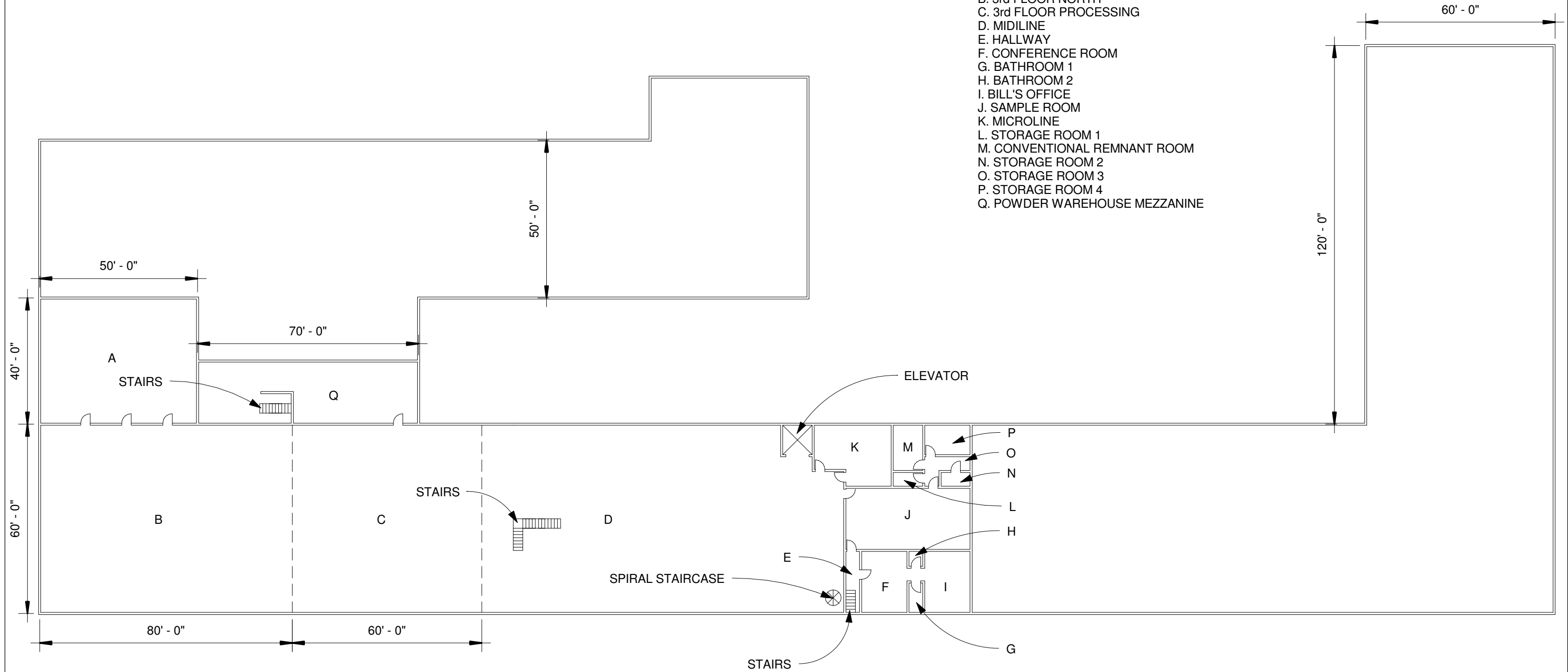
**HOLLY SUGAR SEED PLANT**  
**SHERIDAN, WYOMING**

No.	Revision	By	Date

SECOND FLR DIMENSIONS	
Project number	
Date	5/9/16
Drawn by	TONY
Checked by	MARK
	Scale 1" = 30'-0"

**V4**

- A. VAT ROOM
- B. 3rd FLOOR NORTH
- C. 3rd FLOOR PROCESSING
- D. MIDILINE
- E. HALLWAY
- F. CONFERENCE ROOM
- G. BATHROOM 1
- H. BATHROOM 2
- I. BILL'S OFFICE
- J. SAMPLE ROOM
- K. MICROLINE
- L. STORAGE ROOM 1
- M. CONVENTIONAL REMNANT ROOM
- N. STORAGE ROOM 2
- O. STORAGE ROOM 3
- P. STORAGE ROOM 4
- Q. POWDER WAREHOUSE MEZZANINE

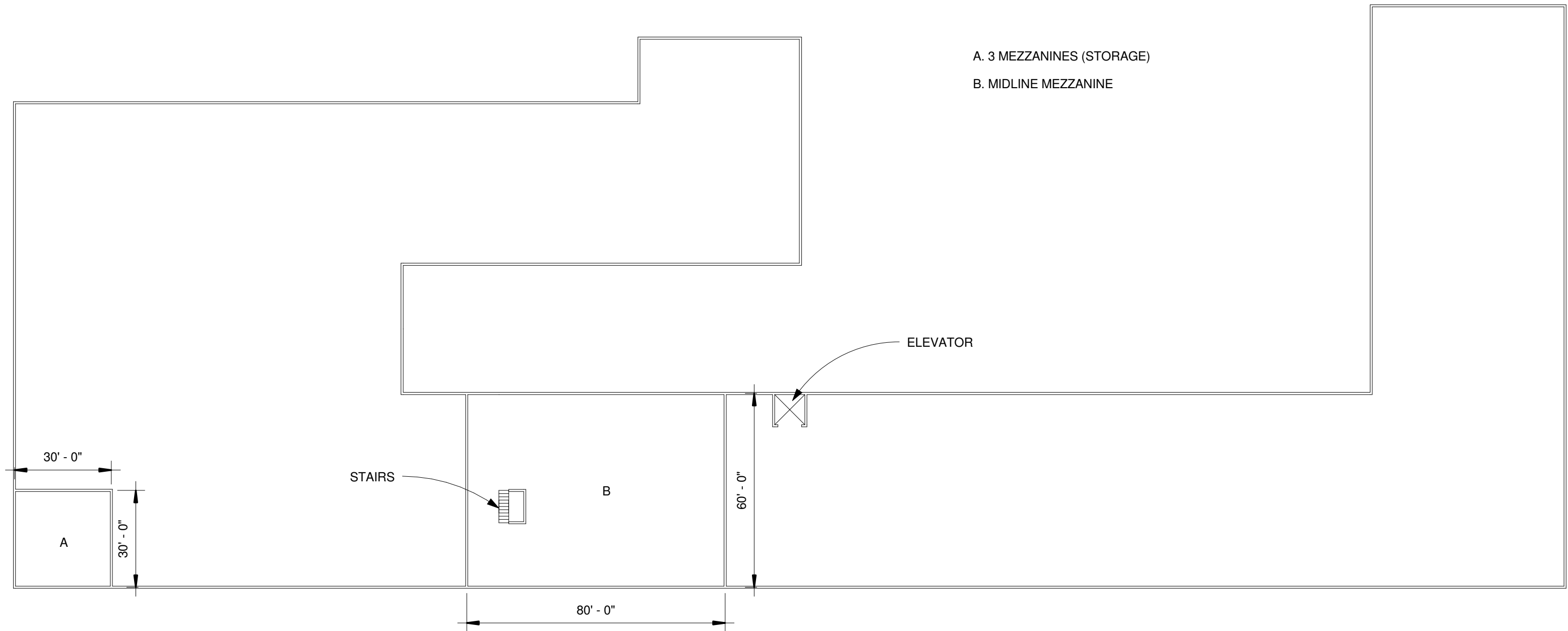


① THIRD FLOOR  
1" = 30'-0"

**HOLLY SUGAR SEED PLANT**  
**SHERIDAN, WYOMING**

No.	Revision	By	Date

THIRD FLOOR		V5
Project number		
Date	5/9/16	
Drawn by	TONY	
Checked by	MARK	Scale 1" = 30'-0"



A. 3 MEZZANINES (STORAGE)  
 B. MIDLINE MEZZANINE

ELEVATOR

STAIRS

30' - 0"  
 30' - 0"  
 A

80' - 0"  
 60' - 0"  
 B

① FOURTH FLOOR  
 1" = 30'-0"

**HOLLY SUGAR SEED PLANT**  
**SHERIDAN, WYOMING**

No.	Revision	By	Date

FOURTH FLOOR		
Project number	<b>V6</b>	
Date		5/9/16
Drawn by		TONY
Checked by		MARK
Scale 1" = 30'-0"		