

\*\*NOTE: SEE SHT A2.1 FOR STAIR REQUIREMENTS

\*\*NOTE: SEE SHT A2.0 FOR STAIR REQUIREMENTS

SCALE: NTS

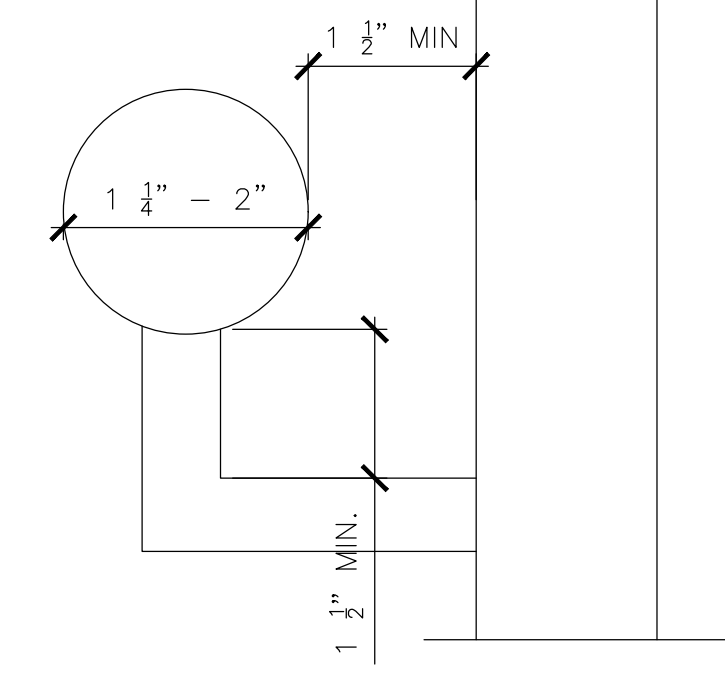
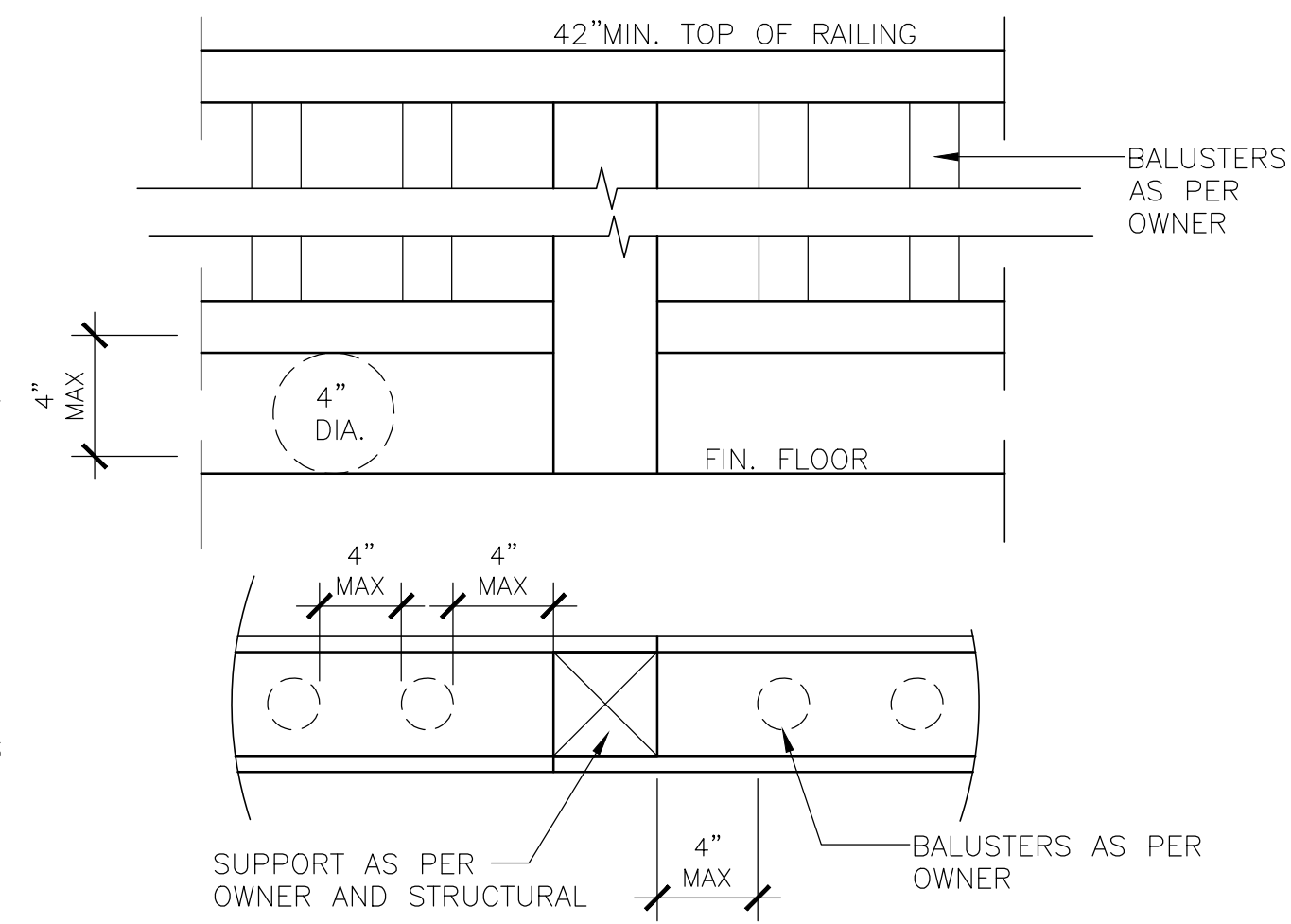
**TOP HANDRAIL EXTENSION**

HANDRAILS AT THE TOP OF THE STAIRWAYS MUST EXTEND 12" MIN HORIZONTALLY ABOVE THE LANDING BEGINNING DIRECTLY ABOVE THE FIRST RISER NOSING OR BE CONTINUOUS TO THE HANDRAIL OF AN ADJACENT STAIR FLIGHT (505.10.2)

HANDRAILS MUST BE NO LESS THAN 34" OR MORE THAN 38" ABOVE THE STAIRS, MEASURED FROM THE NOSING OF EACH TREAD. THE HANDRAILS MUST RUN THE FULL LENGTH OF THE STAIRS.

GUARDS (GUARDRAILS) SHALL BE LOCATED ALONG OPEN-SIDED WALKING SURFACES, INCLUDING STAIRS, RAMP AND LANDINGS, THAT ARE LOCATED MORE THAN 30 INCHES ABOVE GRADE. GUARDS SHALL NOT BE LESS THAN 42 INCHES HIGH MEASURED ABOVE THE WALKING SURFACE. GUARDS AT THE OPEN SIDE OF STAIRS SHALL BE NO LESS THAN 34" HIGH.

GUARD OPENINGS AT THE OPEN SIDE OF THE STAIR CANNOT ALLOW THE PASSAGE OF A 4-3/8" SPHERE. THE TRIANGULAR OPENINGS AT THE OPEN SIDE OF A STAIR, FORMED BY THE RISER, TREAD AND BOTTOM RAIL OF THE GUARD, SHALL NOT ALLOW PASSAGE OF A 6" SPHERE. GUARD OPENINGS BETWEEN THE WALKING SURFACE AND THE GUARD CANNOT ALLOW THE PASSAGE OF A 4" SPHERE.



**Baluster Spacing Req. Per Code**  
 (As It Applies) SCALE: N.T.S

**2**

**Handrail Detail**

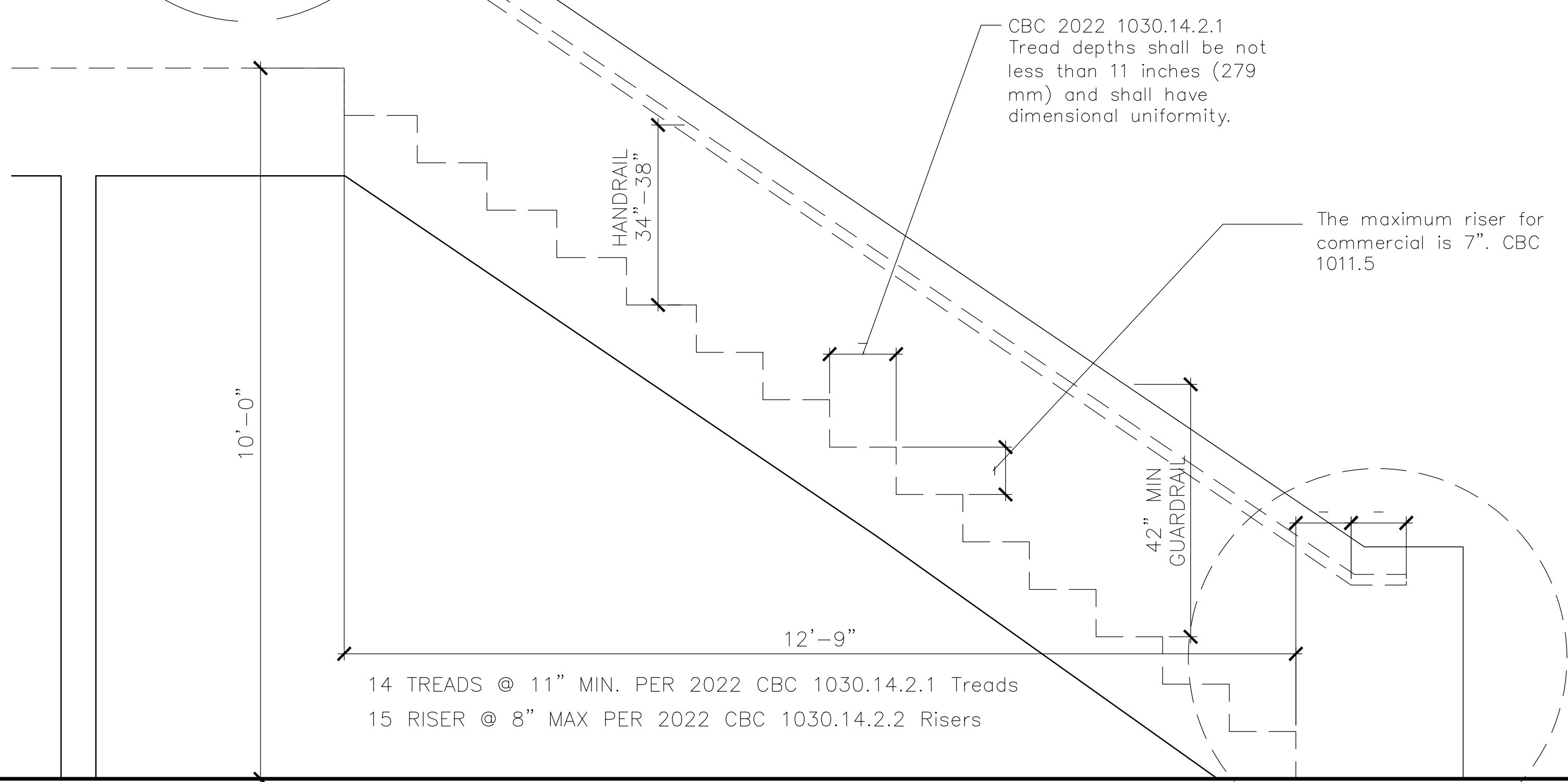
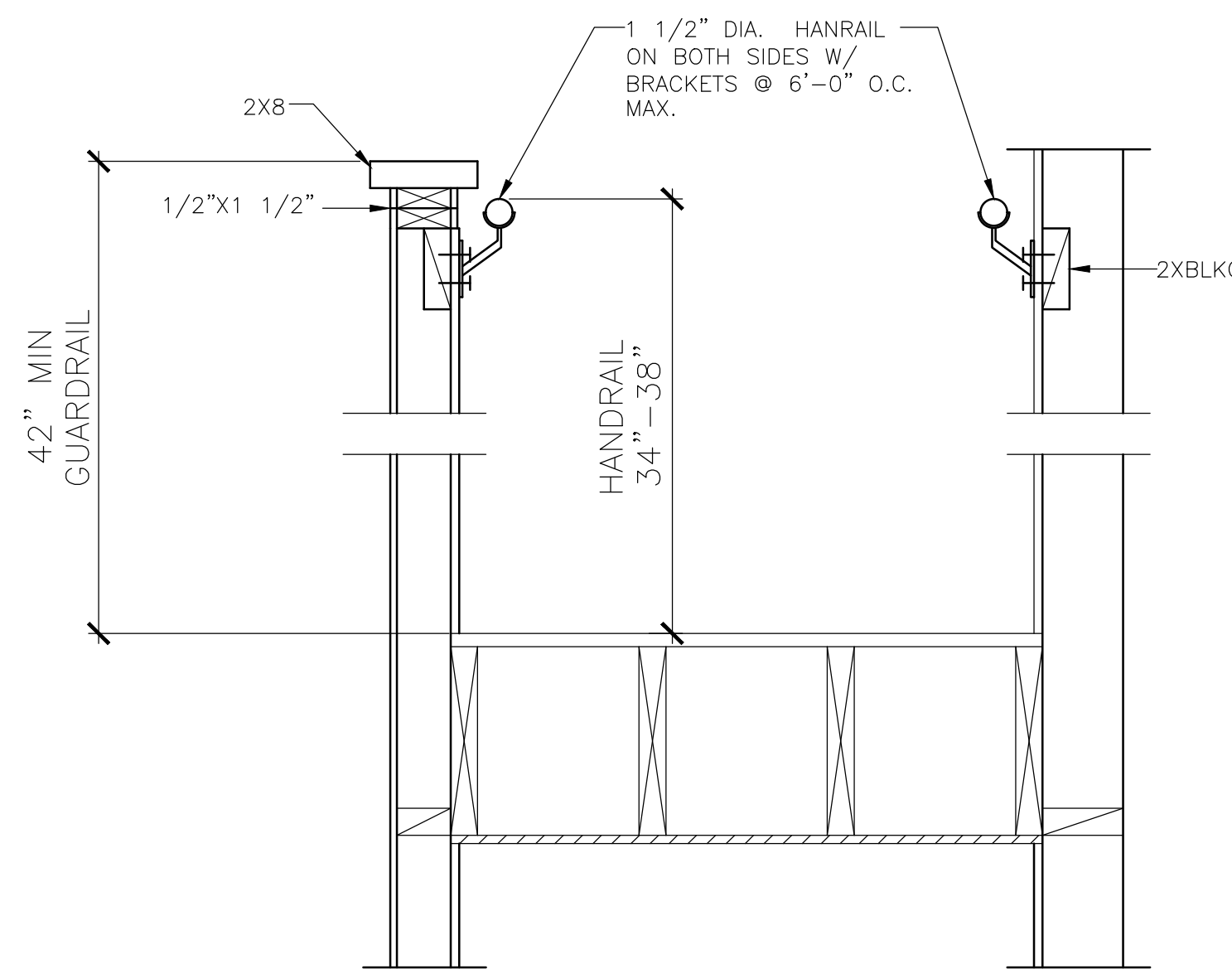
SCALE: N.T.S

**3**

THE RISER HEIGHTS AND TREAD DEPTHS ARE TO BE UNIFORM (MAX 3/8" VARIATION). 2022 CBC SECTION 1011.5.2

CBC 2022 1030.14.2.1  
 Tread depths shall be not less than 11 inches (279 mm) and shall have dimensional uniformity.

The maximum riser for commercial is 7". CBC 1011.5



**Typical Stair Safety Requirement Detail**  
 SCALE: N.T.S

**BOTTOM HANDRAIL EXTENSION**

HANDRAILS AT THE BOTTOM MUST EXTEND BEYOND THE LAST RISER NOSING AT THE SLOPE OF THE STAIR FLIGHT FOR A DISTANCE AT LEAST EQUAL TO ONE TREAD DEPTH OR BE CONTINUOUS TO THE HANDRAIL OF AN ADJACENT STAIR FLIGHT PROTRUDING OBJECTS.

**PROJECT ADDRESS:**  
 961 N Emerald Ave  
 Modesto, CA 95351

**SHEET DESCRIPTION:**

**TYPICAL COMMERCIAL STAIR DETAILS**

**SCALE** 1/4" = 1'-0"  
**DRAWN BY** ds

**SHEETS:**

**A2.1**