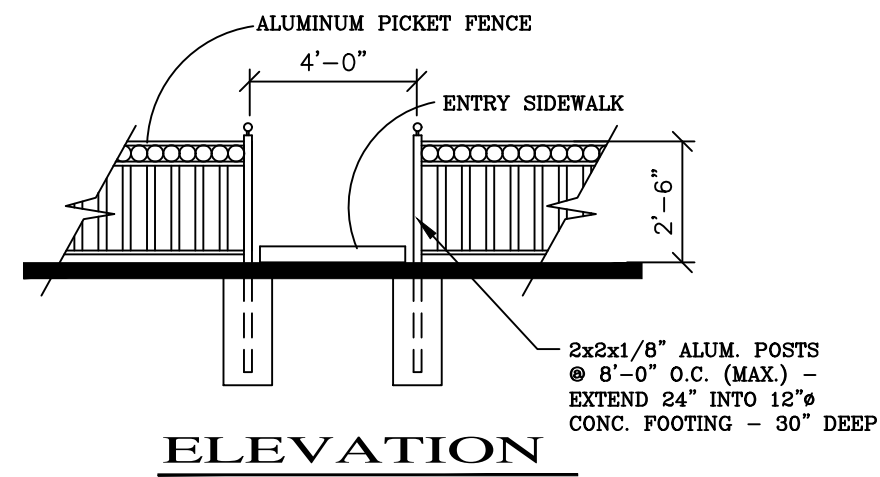
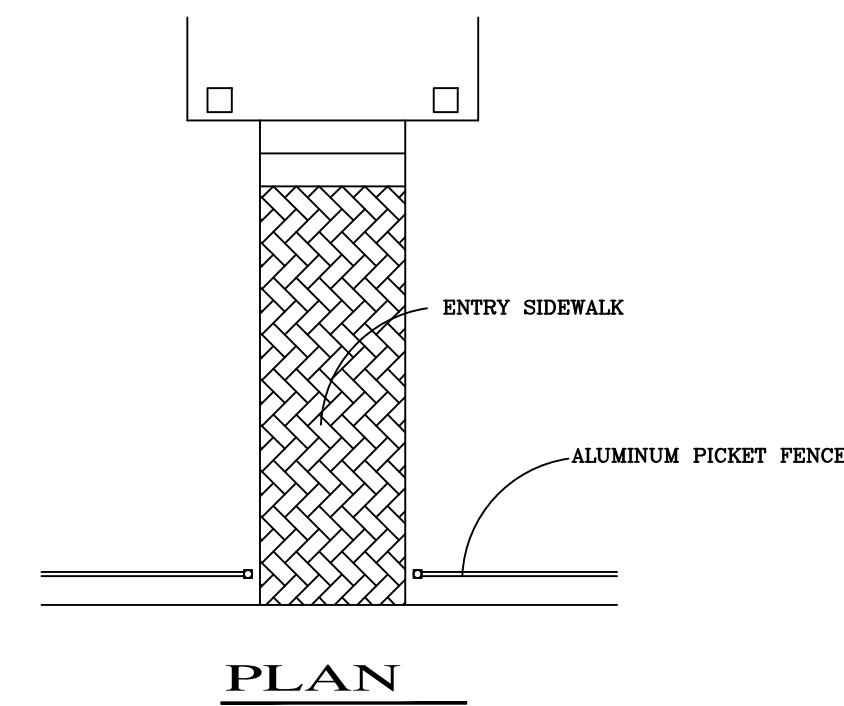


# CLOISTERS PHASE IV - PROPOSED TOWNHOME PROJECT

## SOUTH FEDERAL HIGHWAY LAKE WORTH, FLORIDA



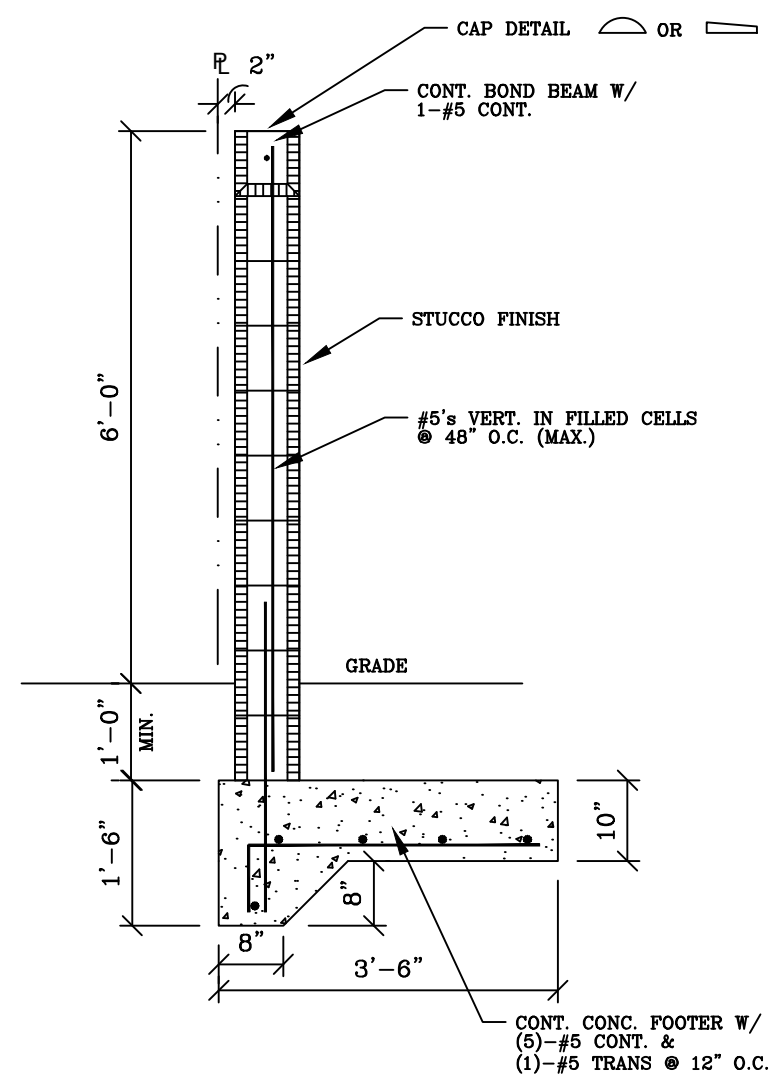
ELEVATION



PLAN

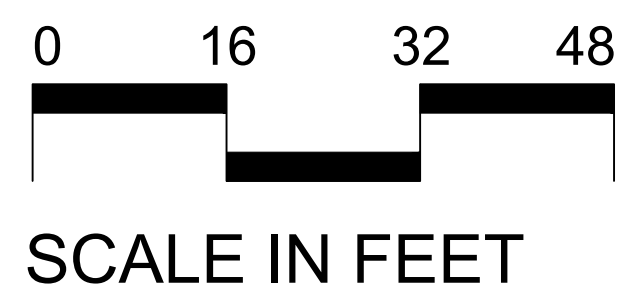
TYPICAL FENCE @ ENTRY

SCALE: 1/4" = 1'-0"

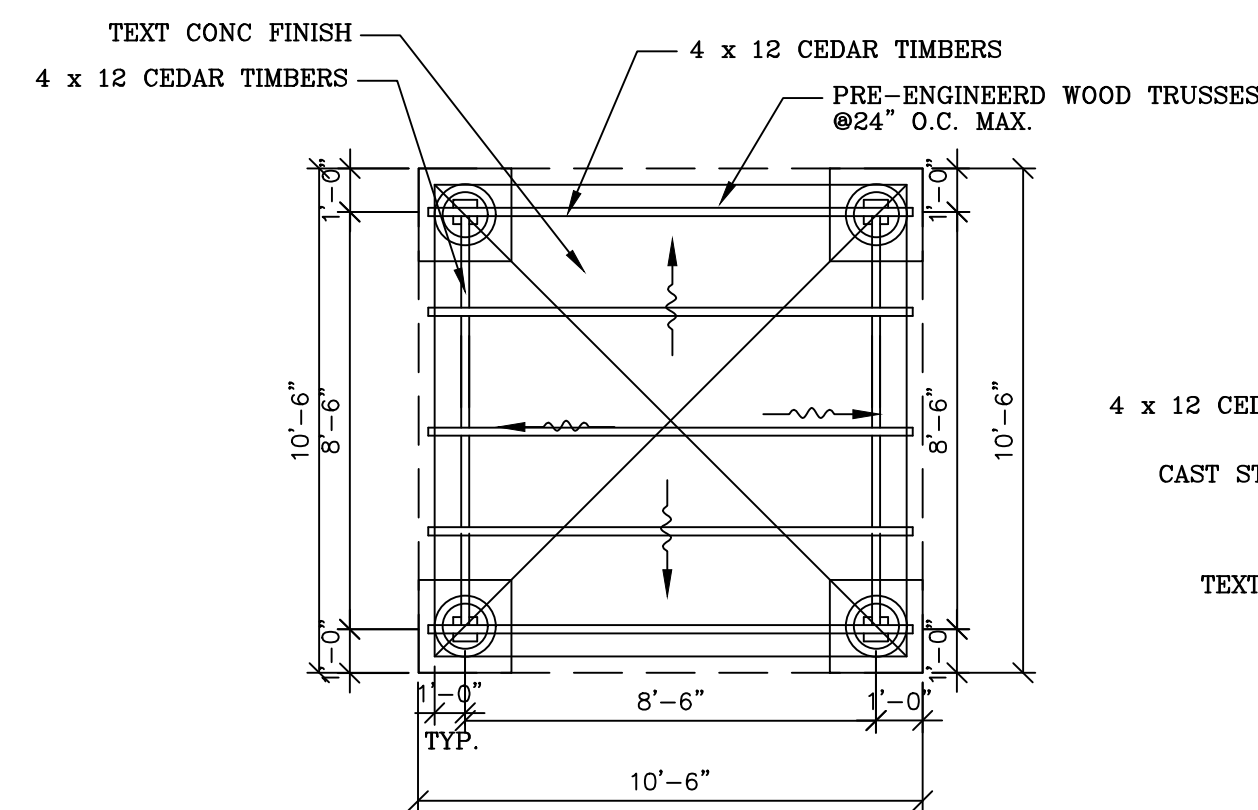


SITE WALL SECTION

SCALE: 1/2" = 1'-0"

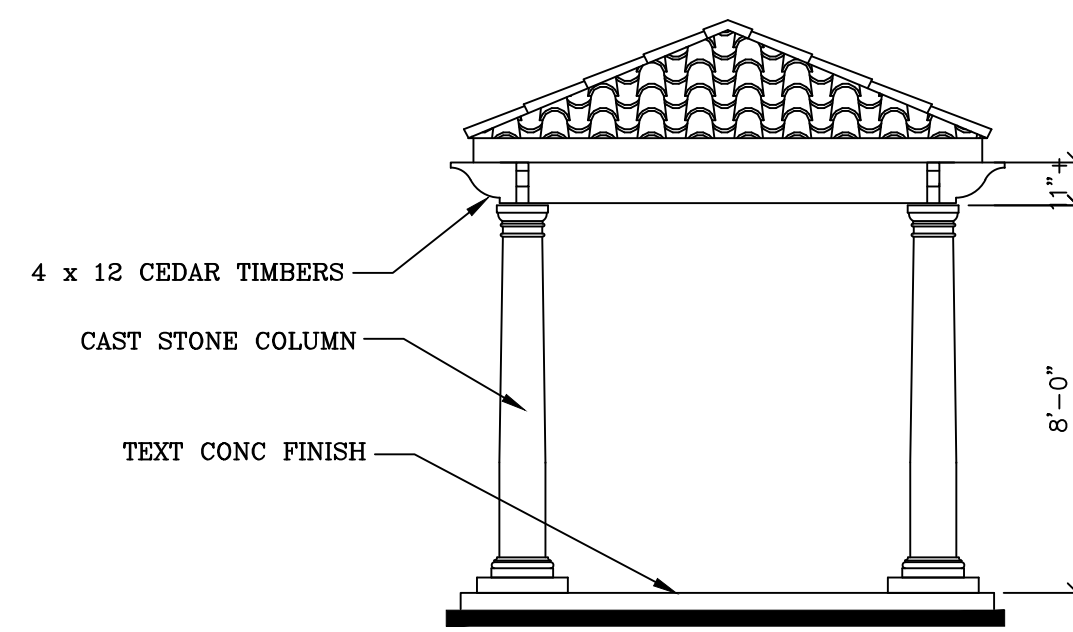


SCALE IN FEET

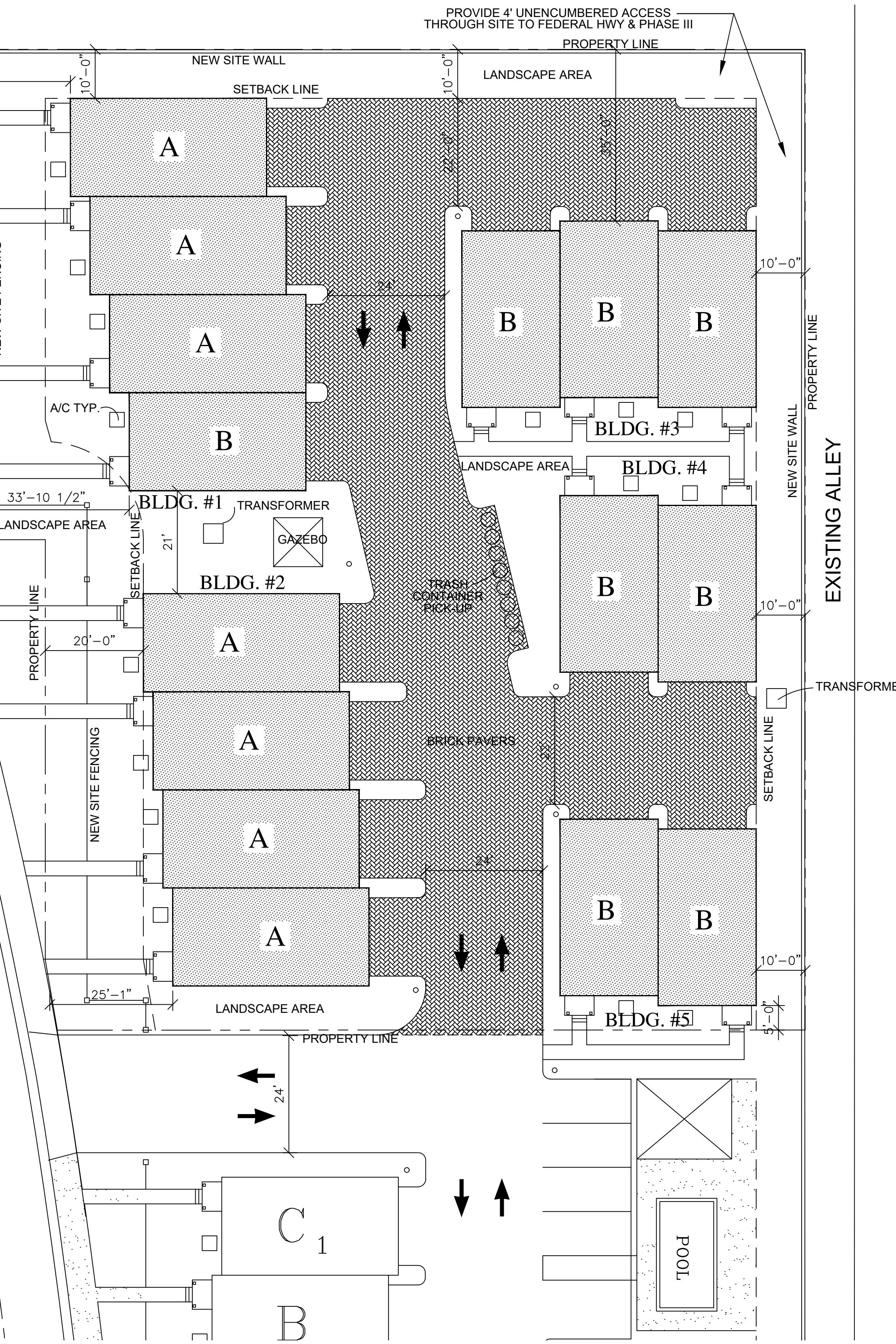


PLAN  
GAZEBO

SCALE: 1/4" = 1'-0"

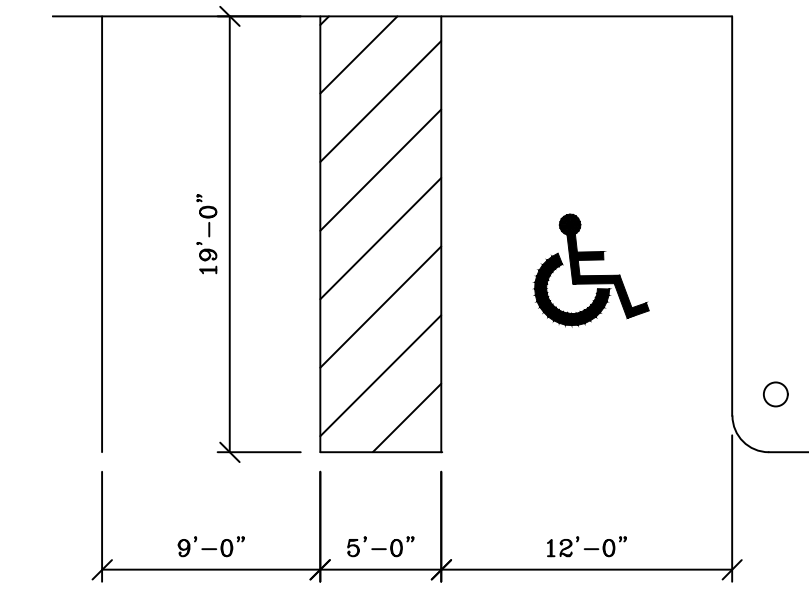


ELEVATION



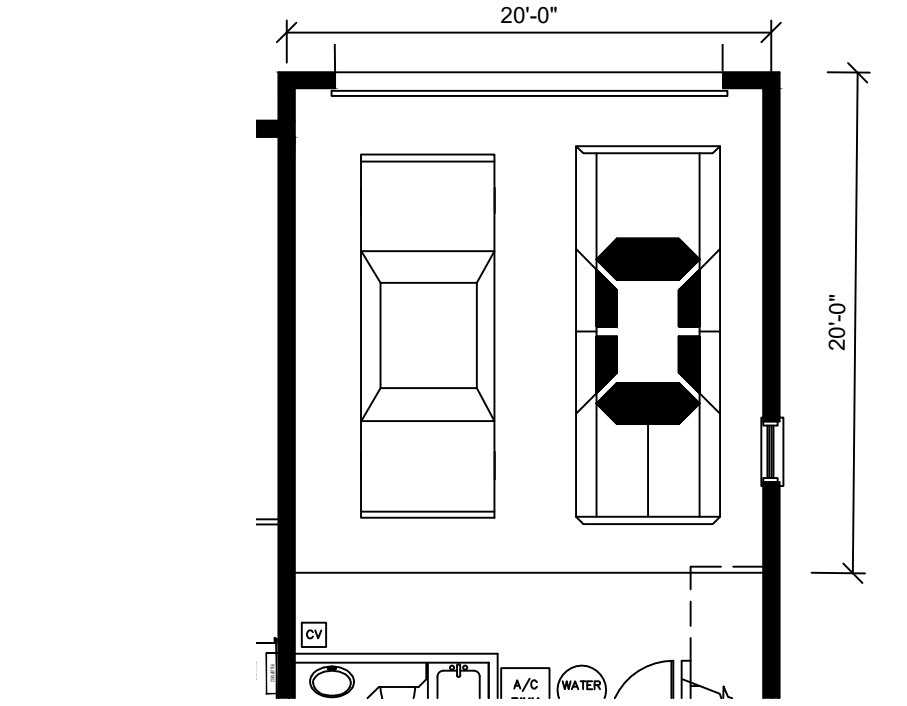
DETAILED SITE PLAN

SCALE: 1/16" = 1'-0"



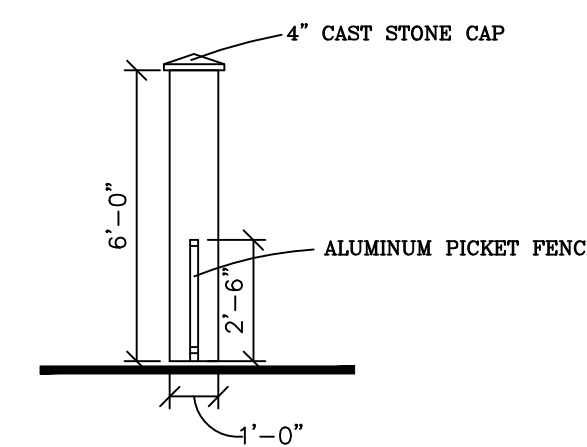
PARKING DETAIL

SCALE: 1/8" = 1'-0"

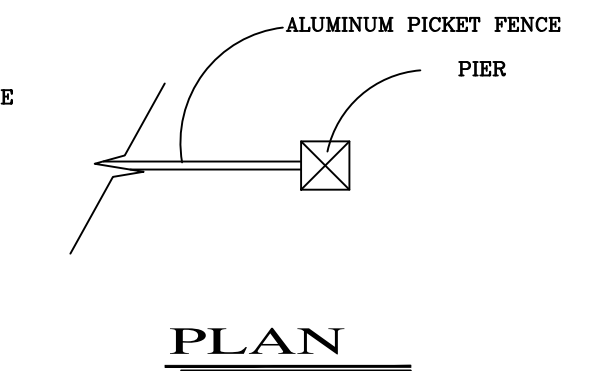


TYPICAL GARAGE

SCALE: 1/8" = 1'-0"



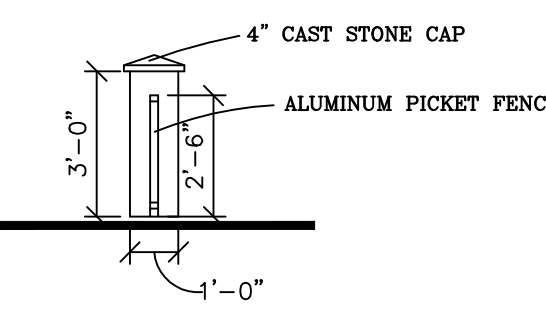
ELEVATION



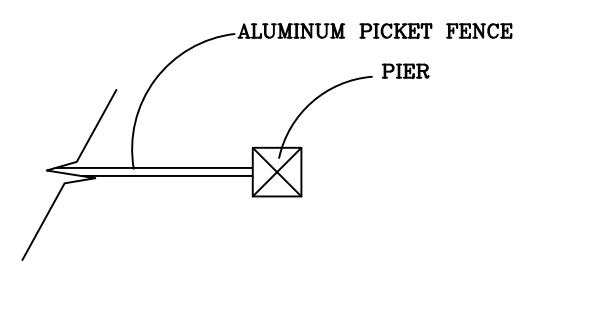
PLAN

ENTRY PIER

SCALE: 1/4" = 1'-0"



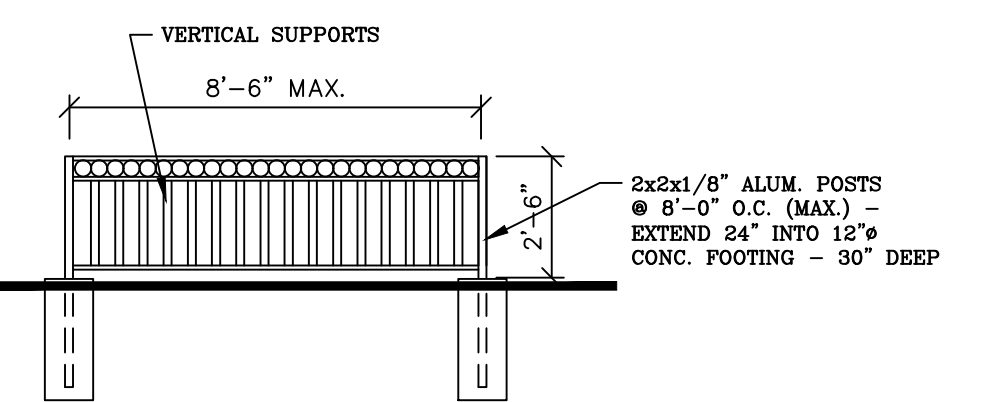
ELEVATION



PLAN

FENCE PIER

SCALE: 1/4" = 1'-0"



TYP. ELEVATION

FENCE DETAIL

SCALE: 1/4" = 1'-0"