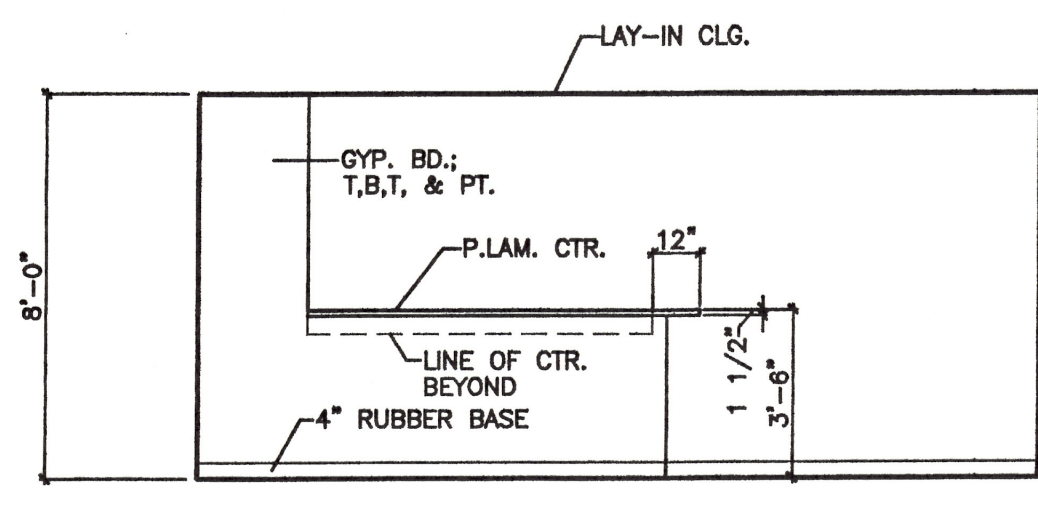
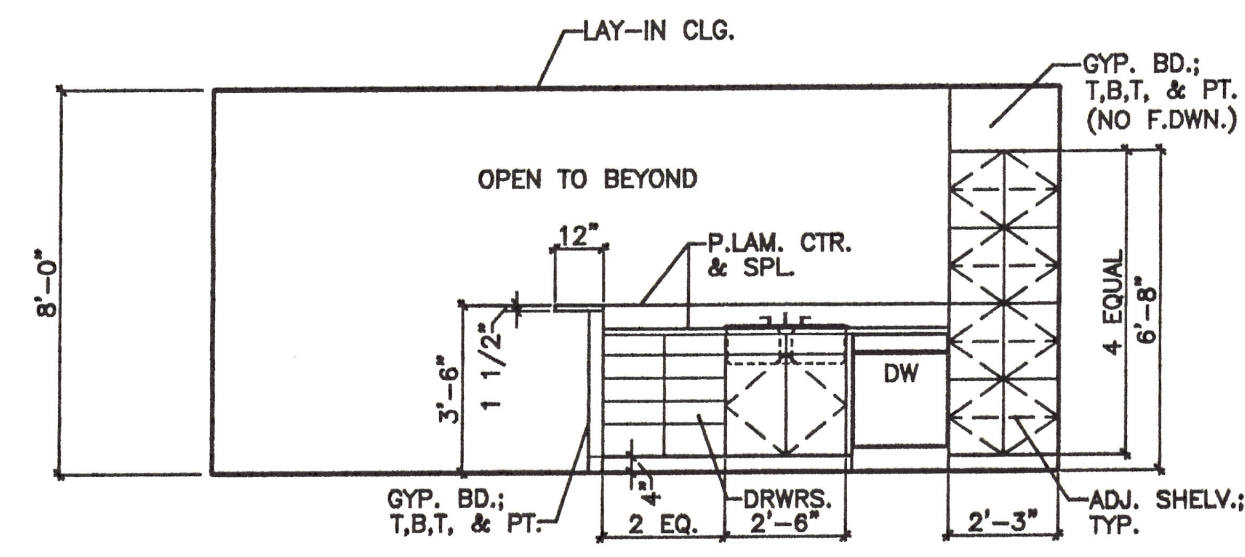


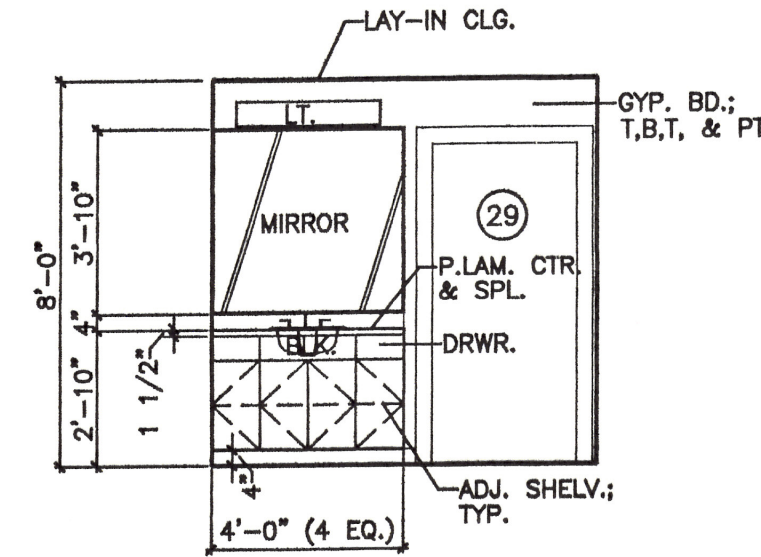
01 KITCHEN 132



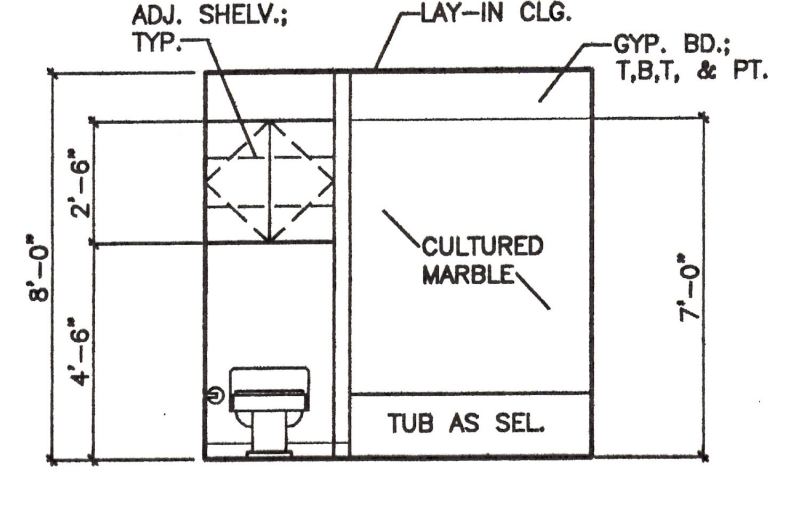
02 LIVING 131



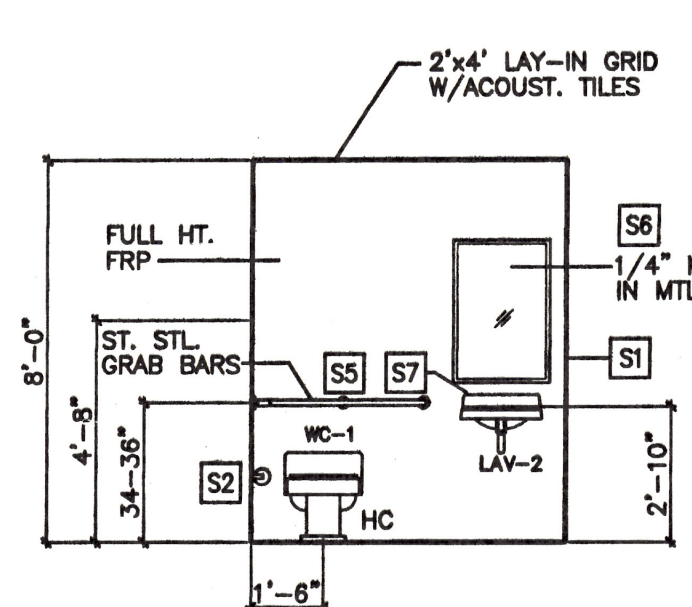
03 KITCHEN 132



04 BATH 137

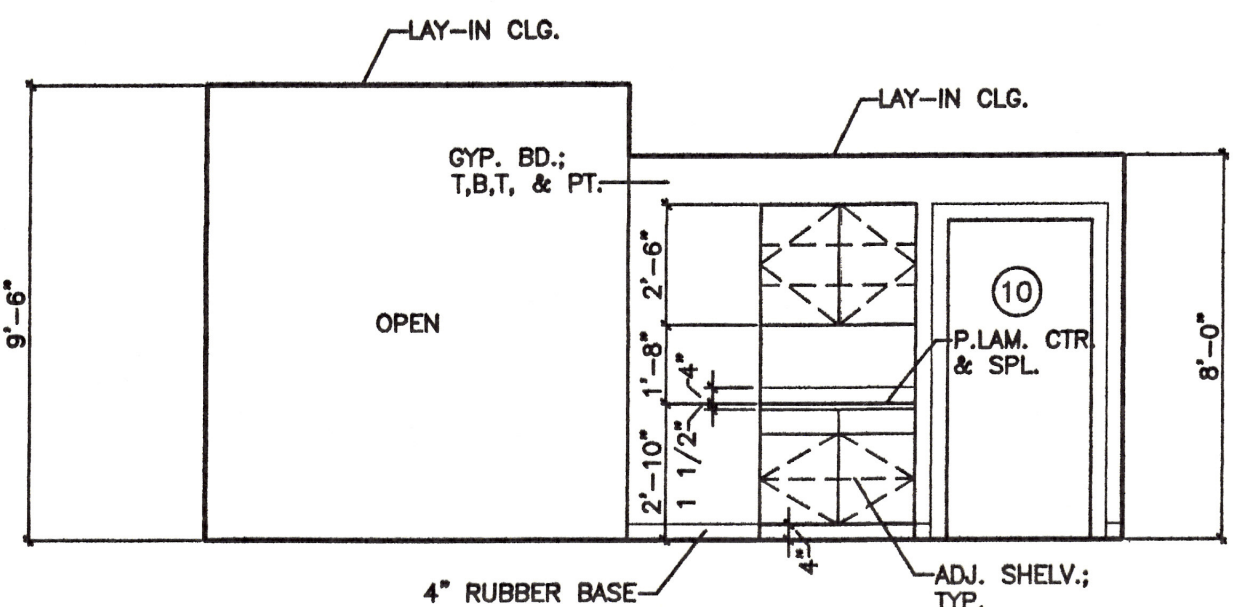


05 BATH 137



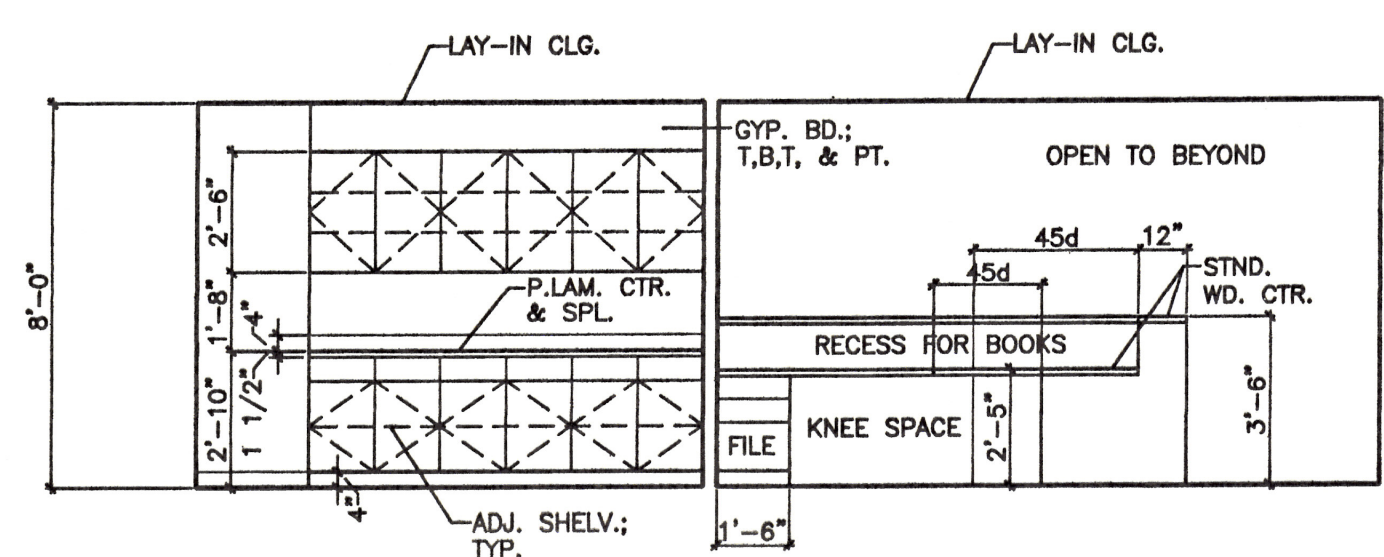
06 WOMEN 114

NOTE: TRASH RECEPTACLE BY OWNER--NOT INSTALLED
NOTE: REFER TO TAS SHEETS FOR CLEARANCES, REACH HTS.



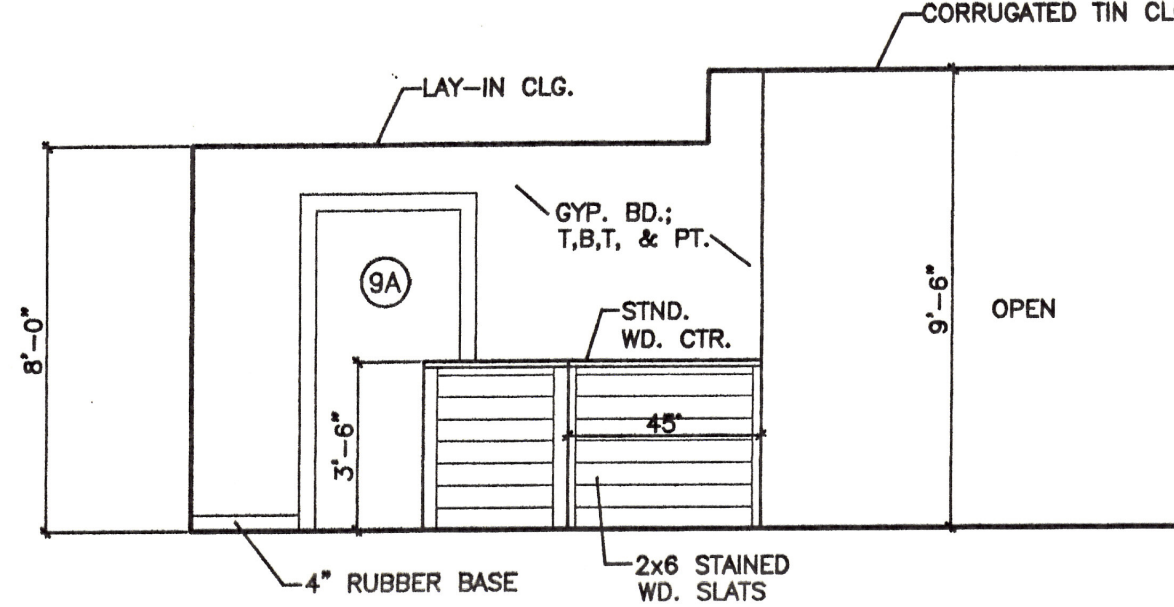
07 HALL 114

NOTE: REFER TO TAS SHEETS FOR CLEARANCES, REACH HTS.

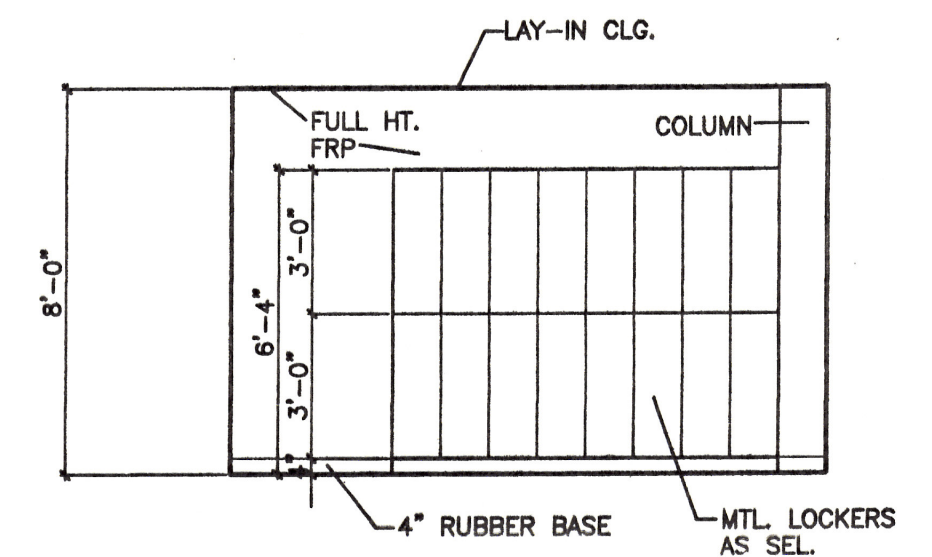


08 FAX/COPY 107/ RECEPTION 105

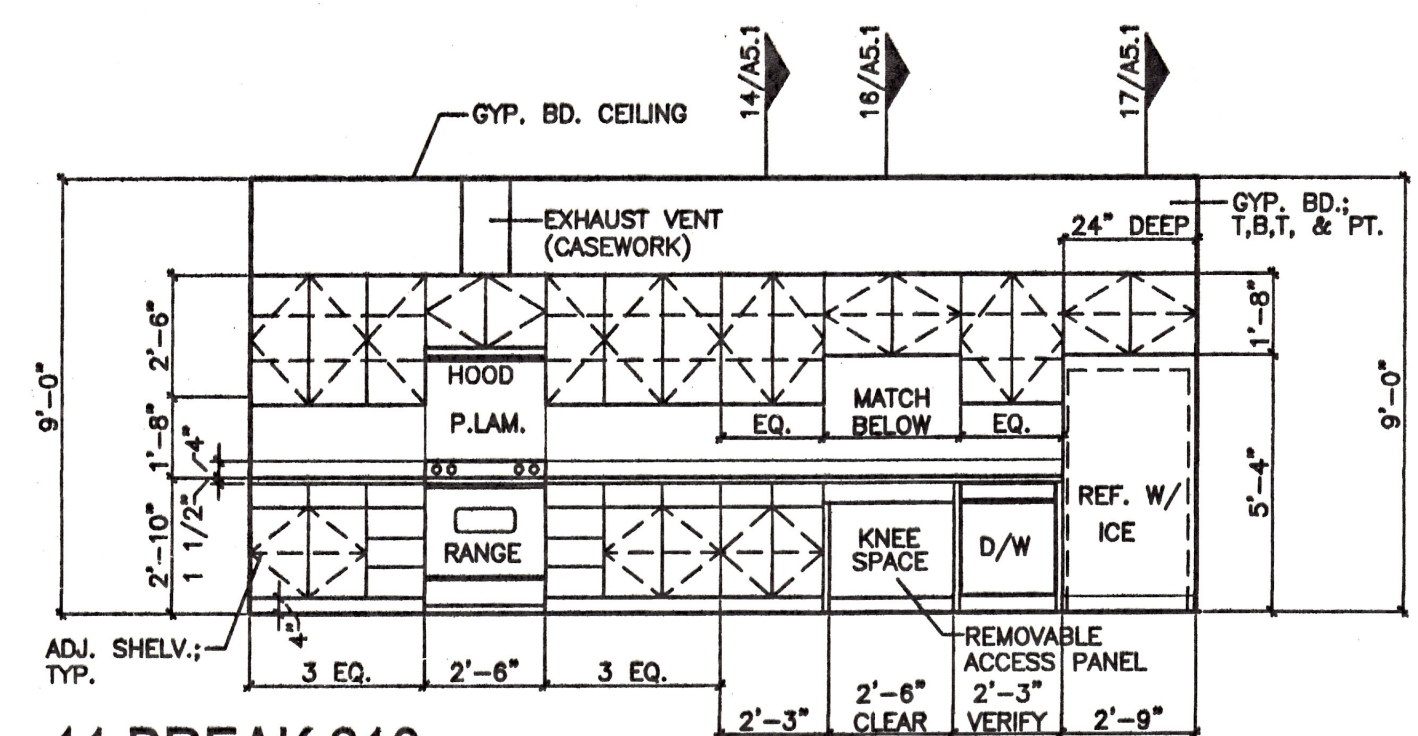
NOTE: PROVIDE 2" DIA. GROMMETS AT CTR. FOR POWER CORDS



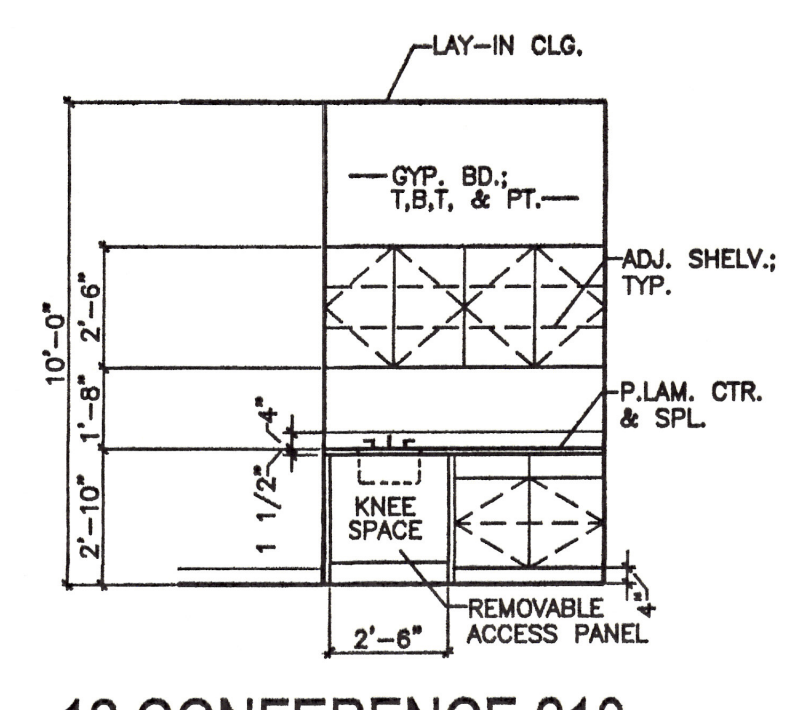
09 RECEPTION 105



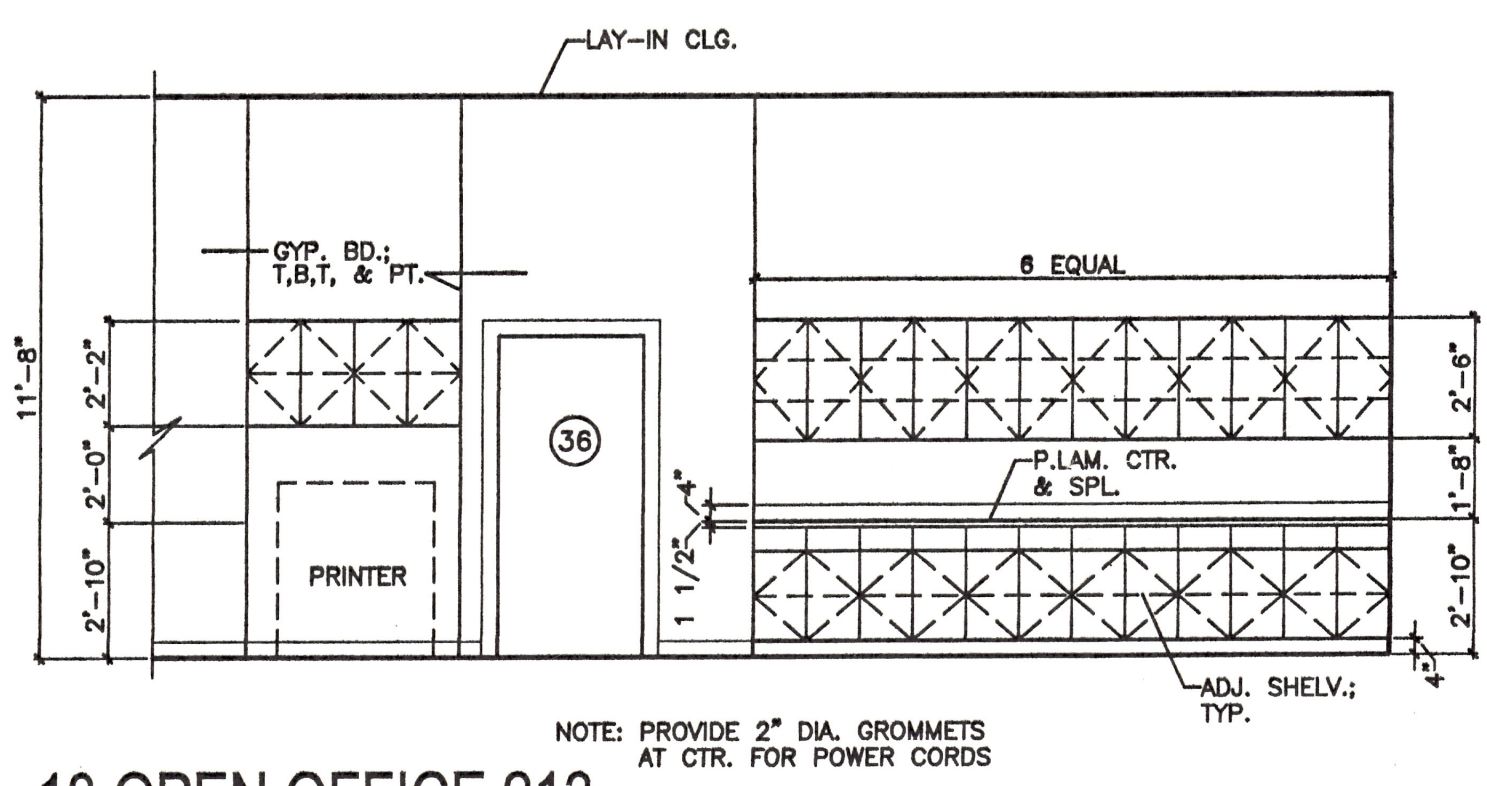
10 WOMEN 214



11 BREAK 216

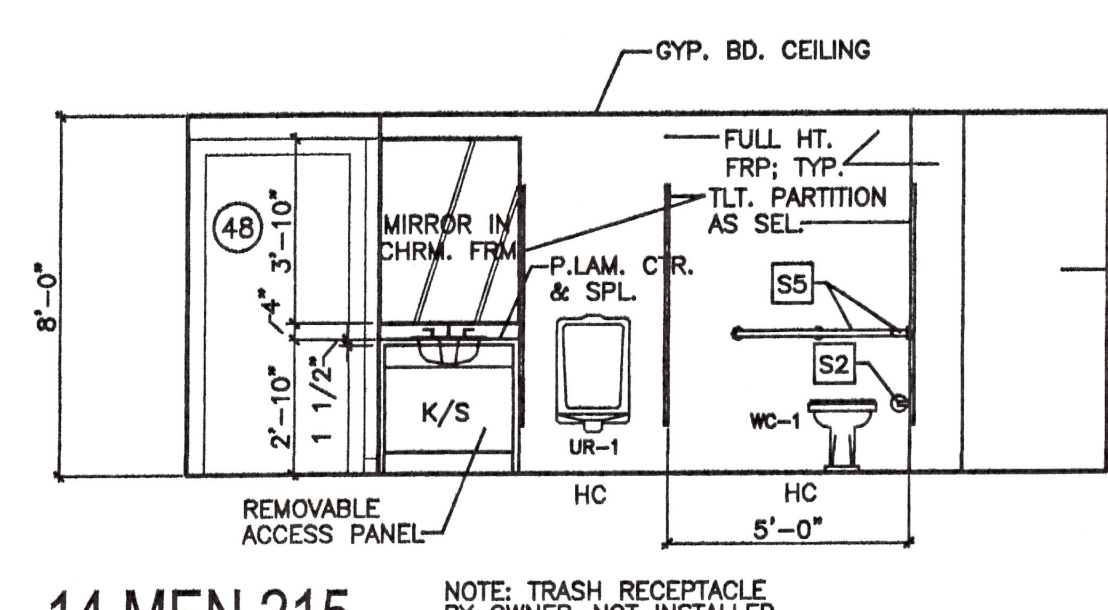


12 CONFERENCE 210



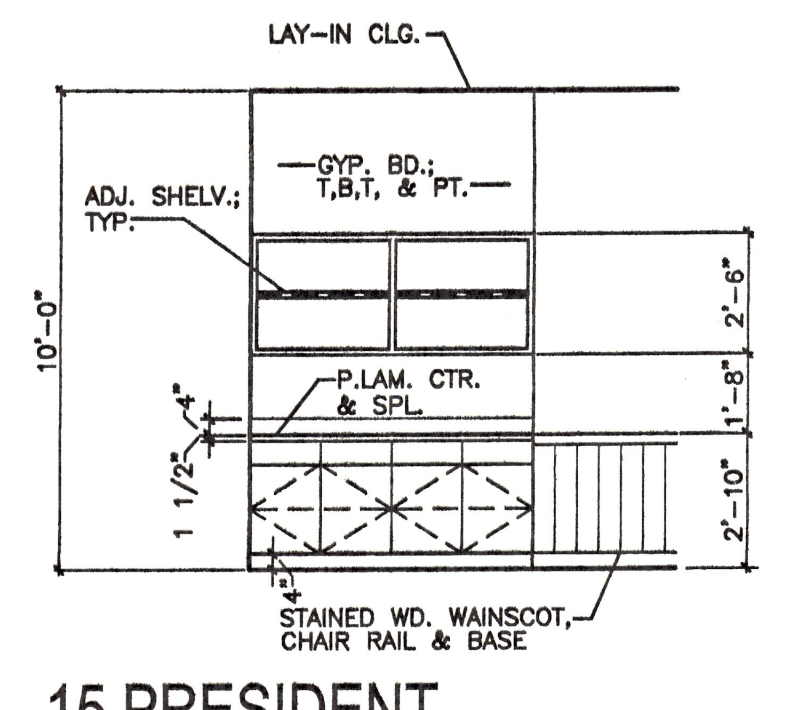
13 OPEN OFFICE 213

NOTE: PROVIDE 2" DIA. GROMMETS AT CTR. FOR POWER CORDS

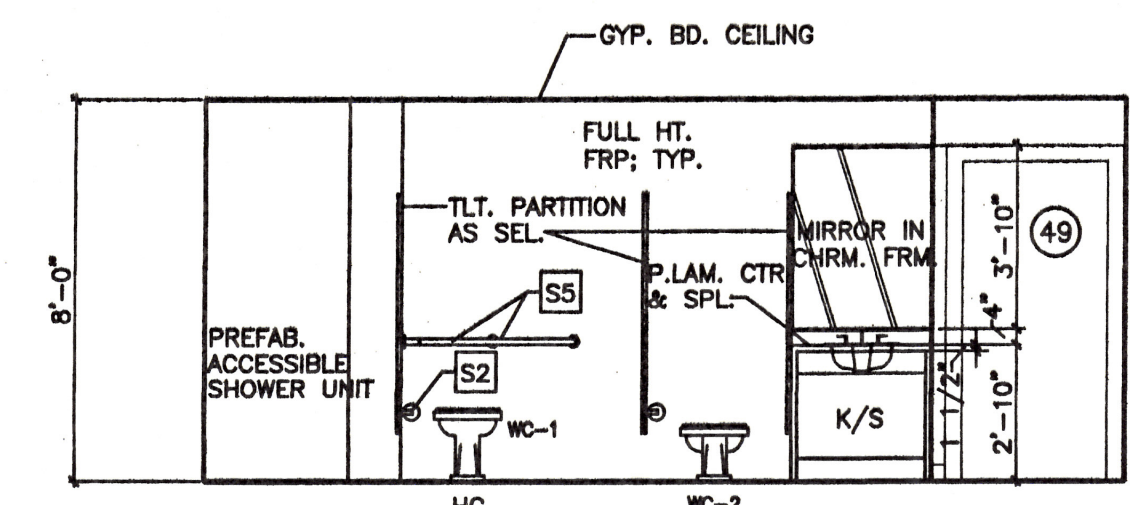


14 MEN 215

NOTE: TRASH RECEPTACLE BY OWNER--NOT INSTALLED
NOTE: REFER TO TAS SHEETS FOR CLEARANCES, REACH HTS.

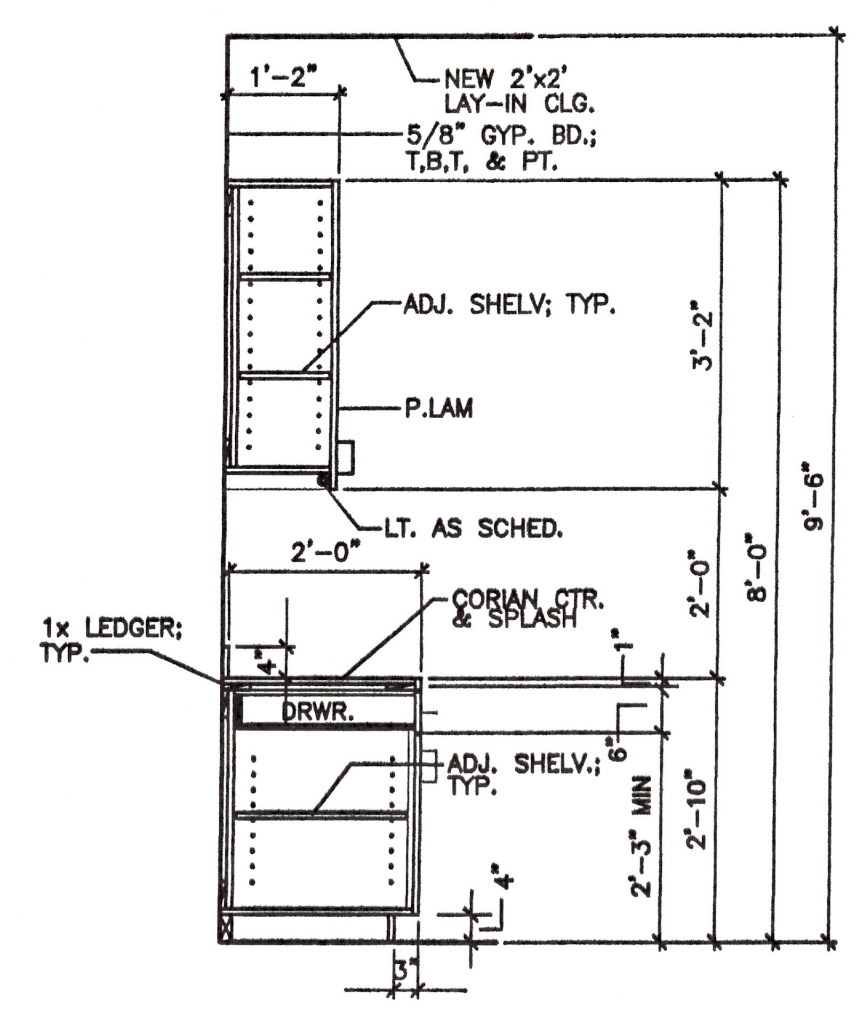


15 PRESIDENT

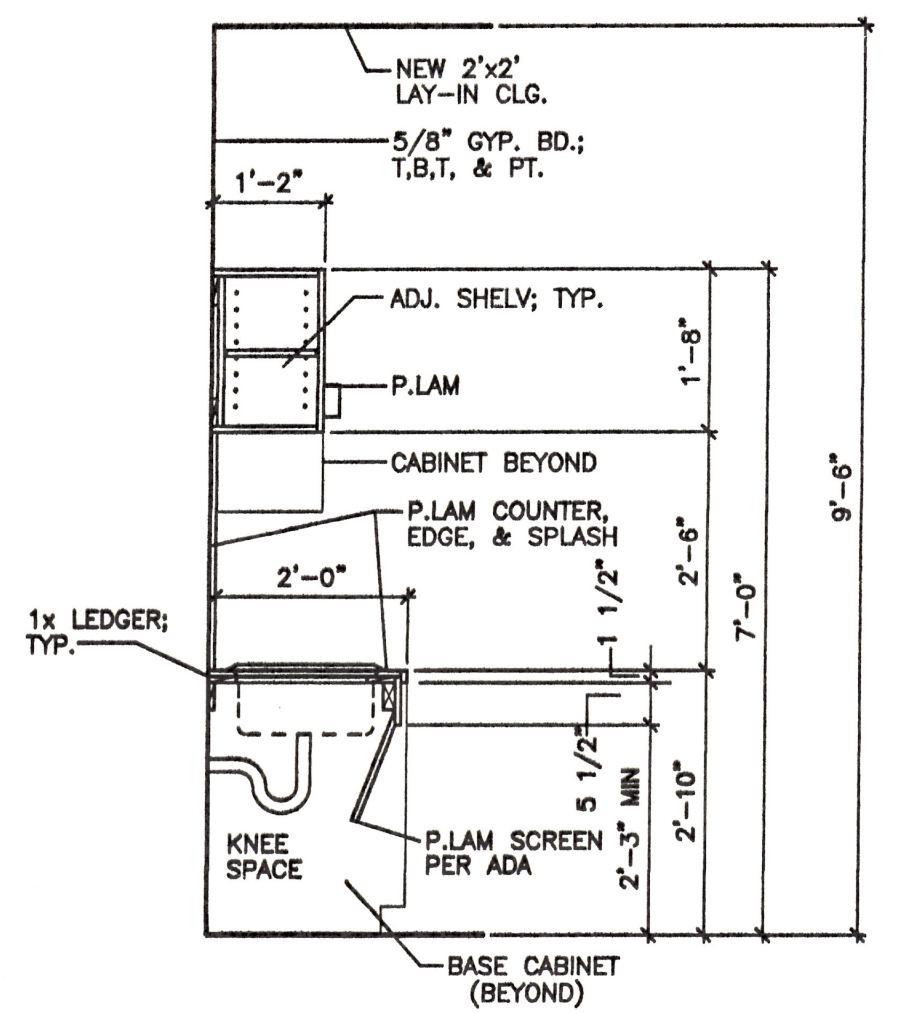


16 WOMEN 214

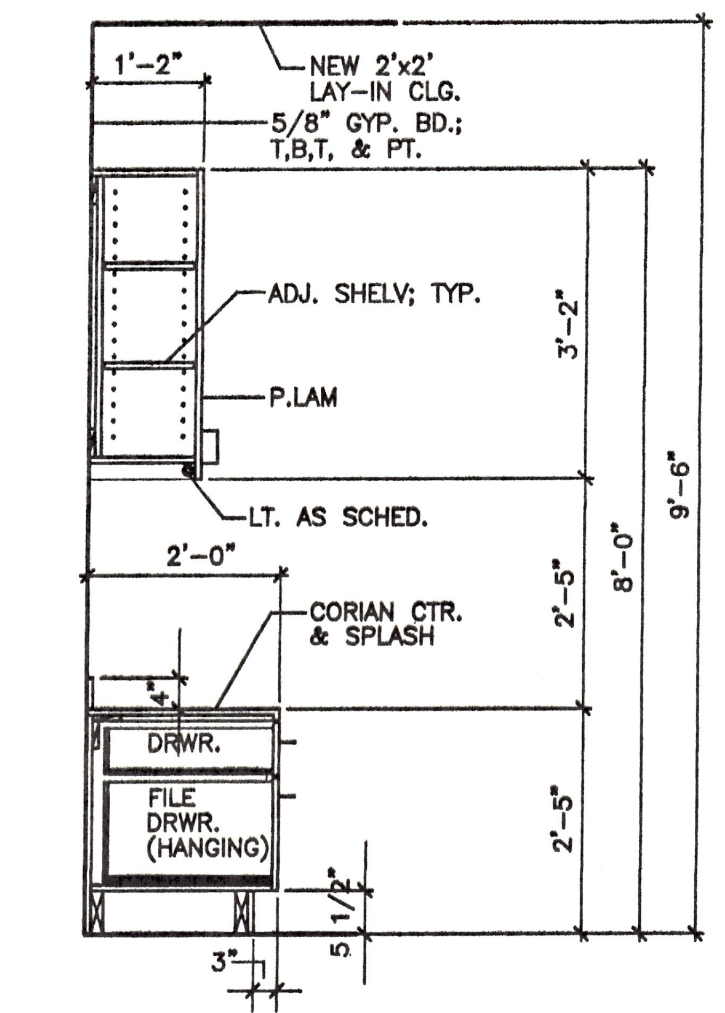
NOTE: TRASH RECEPTACLE BY OWNER--NOT INSTALLED
NOTE: REFER TO TAS SHEETS FOR CLEARANCES, REACH HTS.



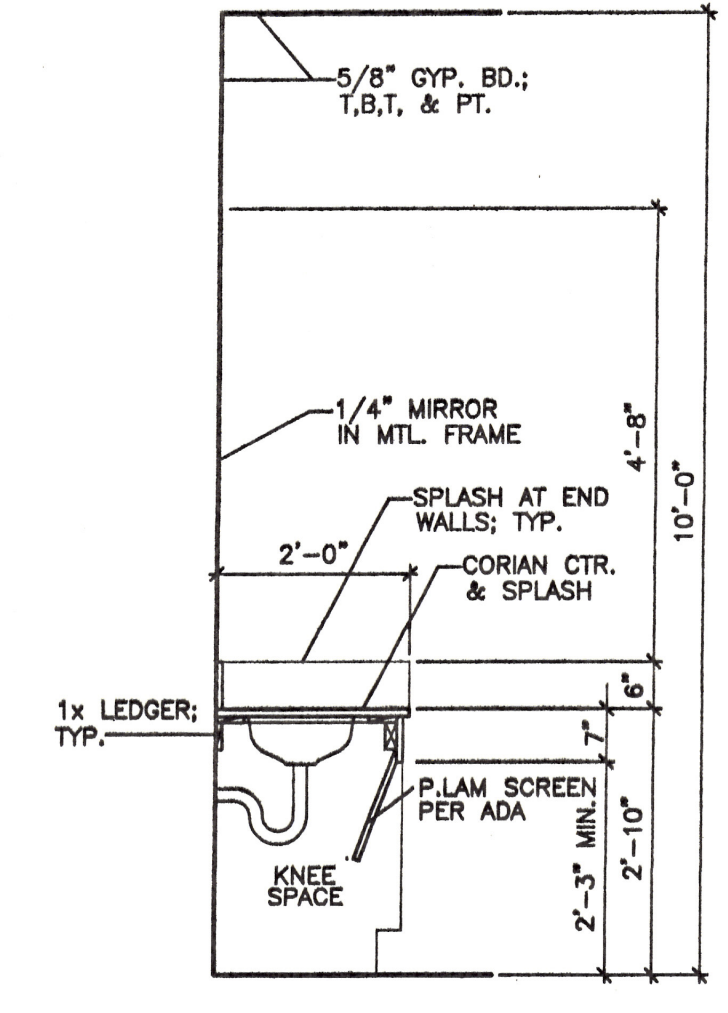
17 SECTION



18 SECTION



19 SECTION



20 SECTION

ALL ELEVATIONS 1/4"

NOTE: REFER TO A7.1 & A7.2 FOR TAS INFO., TYP.

ALL SECTIONS 1/2"