

Northampton, MA : Commercial Property Record Card

[[Back to Search Results](#)]

[[Start a New Search](#)] [[Help with Printing](#)]

Search For Properties

Parcel ID	Name	Street Name	
18c-048-001		BRIDGE RD	<input type="button" value="Search"/> <input type="button" value="Reset"/>

Parcel ID	Card	Routing No	Location	Zoning	State Class	Acres
18C-048-001	1		737 BRIDGE RD		304 - n/a	6.200

Living Units

164

Owner Information

Bais Pinchos

Property Picture

[No Picture Available]

Deed Information

Book/Page: 10850/283

Deed Date: 2012/03/26

Building Information

Building No: 1

Year Built: 1971

No of Units: 164

Structure Type: Nursing Home

Grade: C+

Identical Units: 1

2016

Valuation

Land: \$1,691,170

Building: \$1,907,800

Total: \$3,598,970

Net Assessment: \$0

Sales History

Book/Page	Date	Price	Type	Validity
n/a	2012/03/26	\$2,950,000	Land + Bldg	L
n/a	2005/04/04	\$2,752,000	Land + Bldg	I

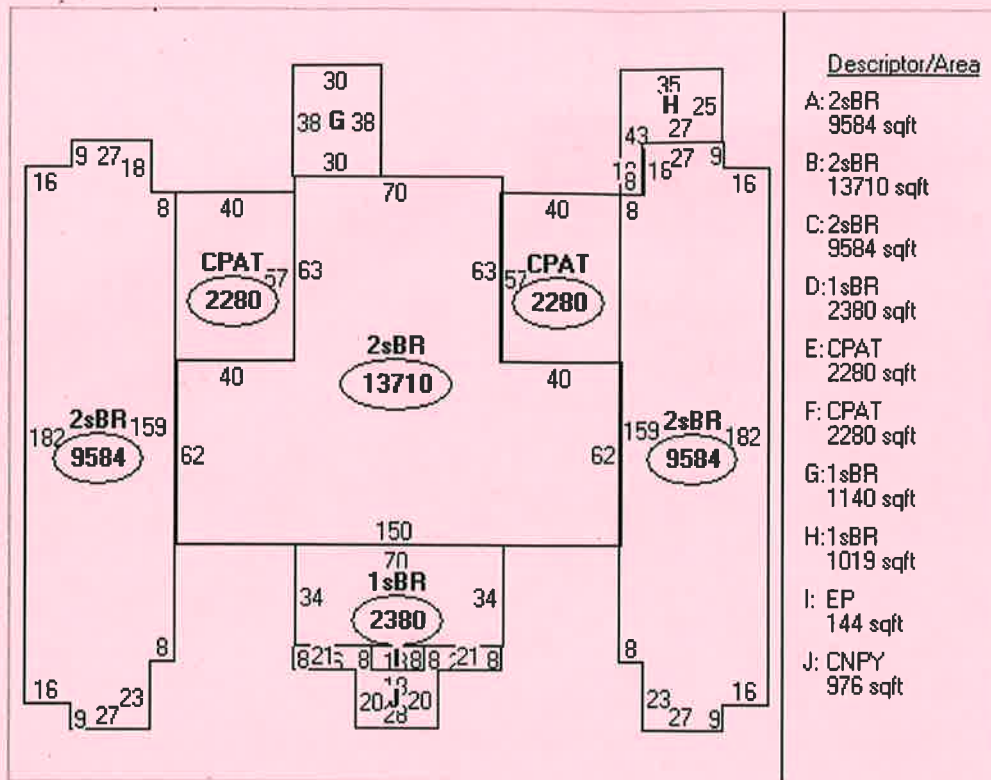
Out Building Information

Structure Code	Width	Lgth/SqFt	Year	RCNLD
Asphalt Parking			1971	\$44,630
Canopy Econ			1981	\$4,280
Utility Frame			1976	\$720

Exterior/Interior Information

Levels	Size	Use Type	Ext. Walls	Const. Type	Partitions	Heating	A/C	Plumbing	Condition	Func. Utility	Unadj. RCNLD
01-01	n/a	Nursing Home	Brk/Conc Blk	Fire Resist	Normal	Hw/Steam	Central	Normal	Fair	Poor	628080
02-02	n/a	Nursing Home	Brk/Conc Blk	Fire Resist	Normal	Hw/Steam	Central	Normal	Fair	Poor	538250
01-01	n/a	Multi-Use Storage	Brk/Conc Blk	Fire Resist	Normal	Hw/Steam	None	Normal	Fair	Poor	20700

Building Sketch



Notice

The information delivered through this on-line database is provided in the spirit of open access to government information and is intended as an enhanced service and convenience for citizens of Northampton, MA.

The providers of this database: CLT, Big Room Studios, and Northampton, MA assume no liability for any error or omission in the information provided here.

Currently All Values Are Finalized For Fiscal Yr 2016.

Comments regarding this service should be directed to: sarafin@northamptonassessor.us