

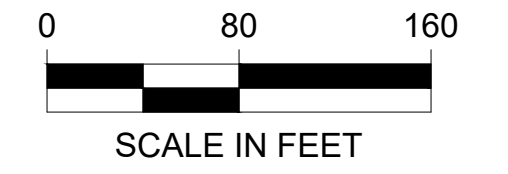
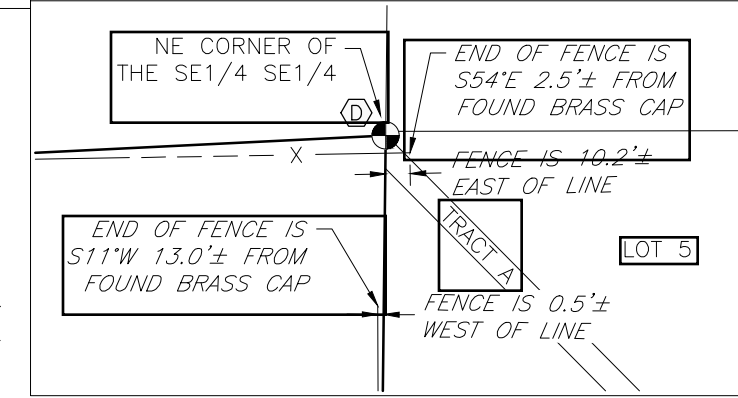
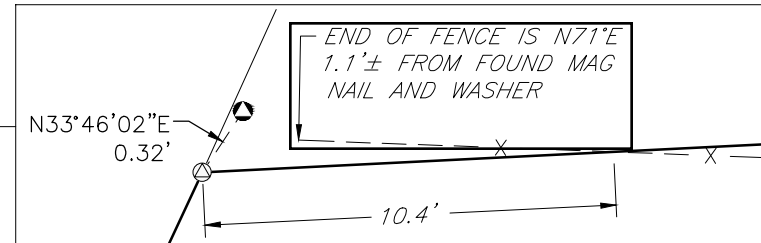
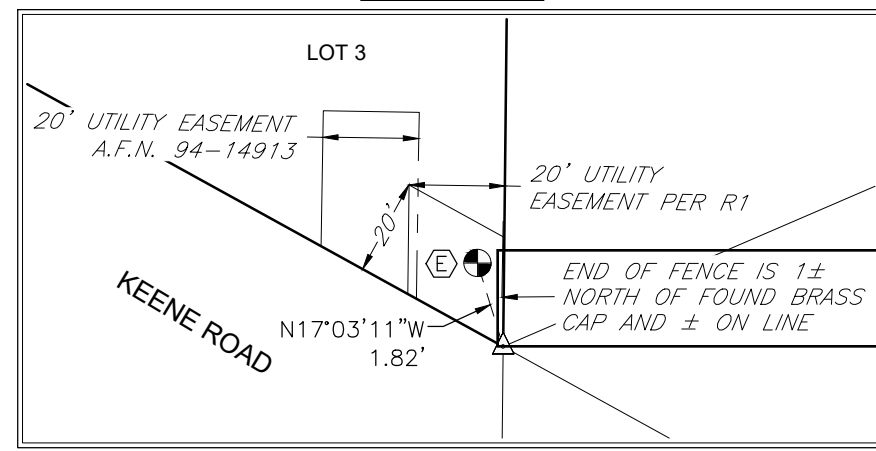
# SHORT PLAT NO. \_\_\_\_\_

OF A PORTION OF LOT 3 OF BELMONT DISTRICT, VOLUME 15, PAGE 503, LYING IN A PORTION OF THE SOUTHEAST QUARTER OF THE SOUTHEAST QUARTER OF SECTION 12, TOWNSHIP 9 NORTH, RANGE 27 EAST, W.M., CITY OF WEST RICHLAND, BENTON COUNTY, WASHINGTON

### AUDITOR'S CERTIFICATE

FILED FOR RECORD THIS \_\_\_\_\_ DAY OF \_\_\_\_\_ 20\_\_\_\_ A.D.  
 AT \_\_\_\_\_ M., RECORDED IN VOLUME \_\_\_\_\_ OF SHORT PLATS AT PAGE \_\_\_\_\_  
 AT THE REQUEST OF J-U-B ENGINEERS, INC.  
 BENTON COUNTY AUDITOR \_\_\_\_\_  
 BY: \_\_\_\_\_  
 FEE NO. \_\_\_\_\_

**DETAIL A**  
NOT TO SCALE



# DRAFT

**BASIS OF BEARINGS**  
 THE BASIS OF BEARINGS FOR THIS SURVEY IS N00°35'59"E ALONG THE EAST LINE OF THE SE 1/4 OF SECTION 12 BETWEEN FOUND MONUMENTS PER RECORD OF SURVEY RECORDED IN VOLUME 1, PAGE 4208, RECORDS OF BENTON COUNTY.

CURVE TABLE					
CURVE #	LENGTH	RADIUS	DELTA	CHORD BRG.	CHORD LENGTH
C1	282.93'	1000.00'	16°12'39"	N36°58'55"E	281.99'
C2	620.16'	990.00'	35°53'29"	N27°08'30"E	610.07'
C3	188.91'	955.00'	11°20'02"	N34°32'37"E	188.60'
C4	81.29'	955.00'	4°52'37"	N42°38'56"E	81.26'
C5	366.00'	1035.00'	20°15'40"	N34°57'25"E	364.10'

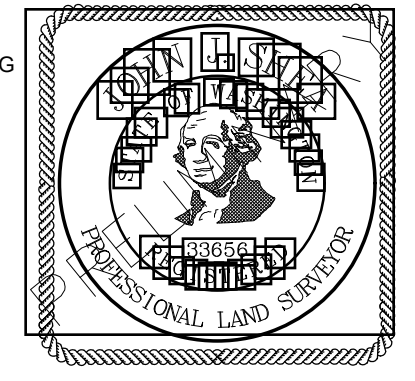
- LEGEND**
- SECTION CORNER AS NOTED
  - FOUND BRASS CAP, AS NOTED
  - FOUND AND HELD 5/8" REBAR WITH ORANGE PLASTIC CAP, STAMPED "LS DPG 41028". VISITED 02-28-2022
  - FOUND AND HELD 5/8" REBAR WITH YELLOW PLASTIC CAP, STAMPED "JUB ENGINEERS PLS 36817". VISITED 02-28-2022
  - FOUND AND HELD MAG NAIL WITH WASHER, STAMPED "JUB ENGINEERS PLS 36817". VISITED 02-28-2022
  - FOUND MAG NAIL WITH WASHER, ILLEGIBLE. VISITED 02-28-2022
  - COMPUTED POSITION, NO MONUMENT FOUND OR SET THIS SURVEY
  - SET 5/8" x 24" IRON REBAR WITH YELLOW PLASTIC CAP, STAMPED "SHEA 33656"
  - A.F.N. AUDITORS FILE NUMBER
  - C.I.D. COLUMBIA IRRIGATION DISTRICT
  - CONST. CL CONSTRUCTED CENTERLINE
  - R/W RIGHT-OF-WAY
  - T.P.N. TAX PARCEL NUMBER
  - [ ] INDICATES STREET ADDRESS
  - - - - X - EXISTING FENCE-TYPE AND SIZE MAY VARY

- MONUMENT DESCRIPTION TABLE**
- (A) FOUND AND HELD 3" BRASS CAP FOR CORNER OF SECTIONS 7, 12, 13, AND 18 AS DESCRIBED IN FIELD NOTES (R3) AT PAGE 96. VISITED 03-27-14. (POINT #319 AS SHOWN ON R4)
  - (B) FOUND AND HELD 3 1/4" BRASS CAP FOR THE E 1/16 COR. OF SECTIONS 12 AND 13 AS DESCRIBED IN FIELD NOTES (R3) AT PAGE 98. VISITED 03-27-14.
  - (C) FOUND AND HELD 3 1/4" BRASS CAP FOR THE SE 1/16 COR. OF SECTION 12 AS DESCRIBED IN FIELD NOTES (R3) AT PAGE 102. VISITED 3-27-14.
  - (D) FOUND AND HELD 2" BRASS CAP FOR THE S 1/16 COR. OF SECTIONS 7 AND 12 AS DESCRIBED IN FIELD NOTES (R3) AT PAGE 102. VISITED 3-27-14.
  - (E) FOUND 3" BRASS CAP WITNESS CORNER, STAMPED "BUREAU OF LAND MANAGEMENT; 2013". VISITED 2-28-22.
  - (F) FOUND AND HELD 3" BRASS CAP IN THE CONSTRUCTED CENTER LINE OF KEENE ROAD AND BELMONT BOULEVARD AS DESCRIBED IN FIELD NOTES (R5) AT PAGE 96. VISITED 3-27-14.

**SURVEYOR'S CERTIFICATE**  
 THIS MAP CORRECTLY REPRESENTS A SURVEY MADE BY ME OR UNDER MY DIRECTION IN CONFORMANCE WITH THE REQUIREMENTS OF THE SURVEY RECORDING ACT AT THE REQUEST OF THE CITY OF WEST RICHLAND IN FEBRUARY OF 2022.

JOHN J. SHEA  
 PROFESSIONAL LAND SURVEYOR  
 CERTIFICATE NO. 33656

DATE \_\_\_\_\_



**J-U-B ENGINEERS, INC.**

3611 S. Zintel Way  
 Kennewick, WA 99337  
 p | 509 783 2144 w | www.jub.com

Dwg Name: 30-22-003-005_V-SHORT PLAT L3	
Date: March 9, 2022	
Dr: DFG	Ch: JJS
Sheet 1 of 2	