



No.	DESCRIPTION	DATE
2	ISSUED FOR PERMIT	10.28.02
1	ISSUED FOR PERMIT	10.08.02

VALLEY LAKE PLAZA
 ROUND LAKE, ILLINOIS

FLOOR PLAN

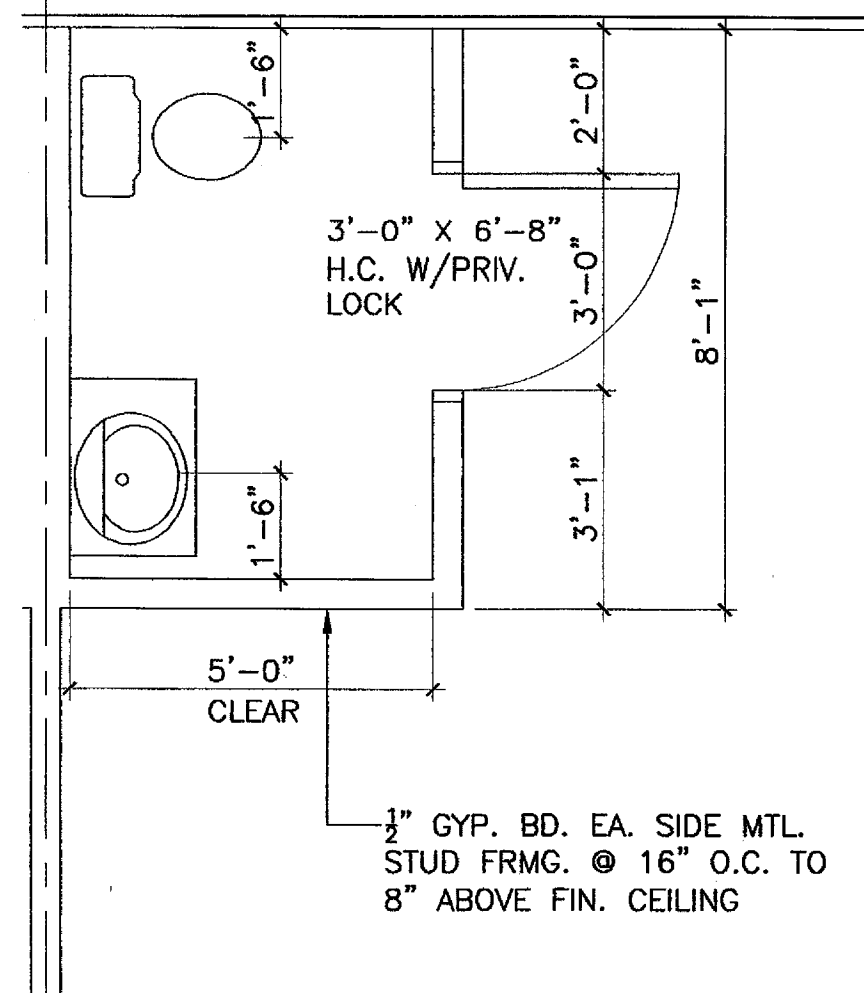
rvd 10.02.02

XX

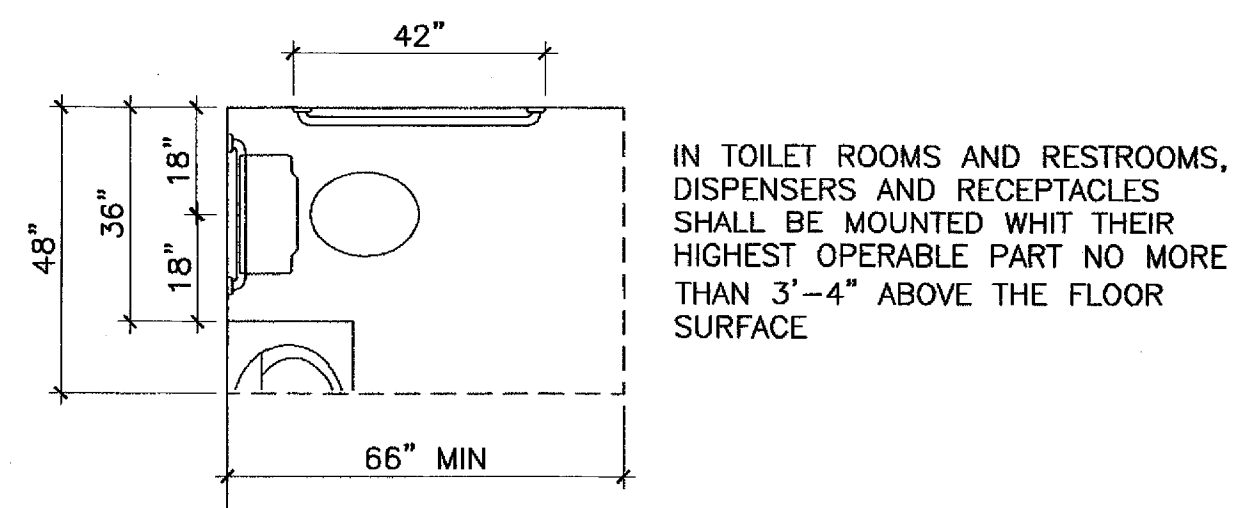
XX

0207

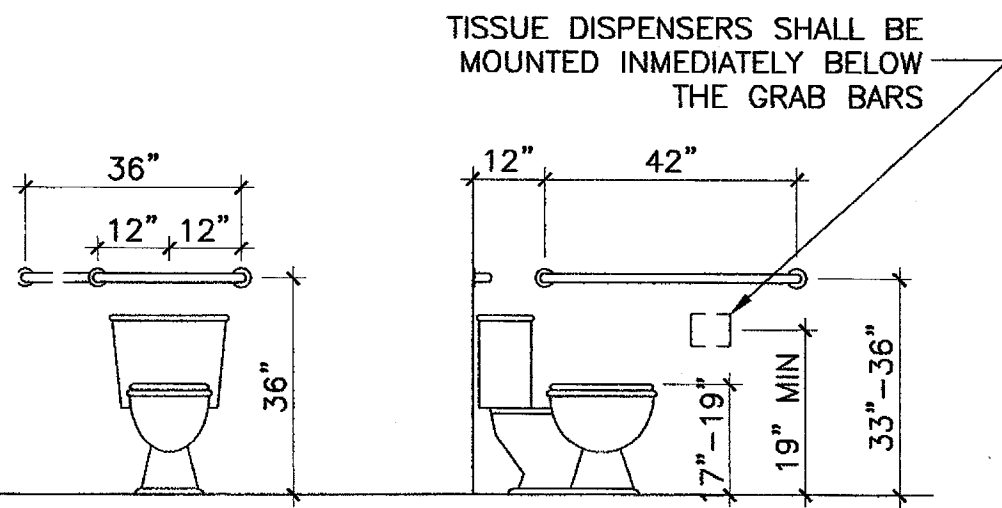
A-101



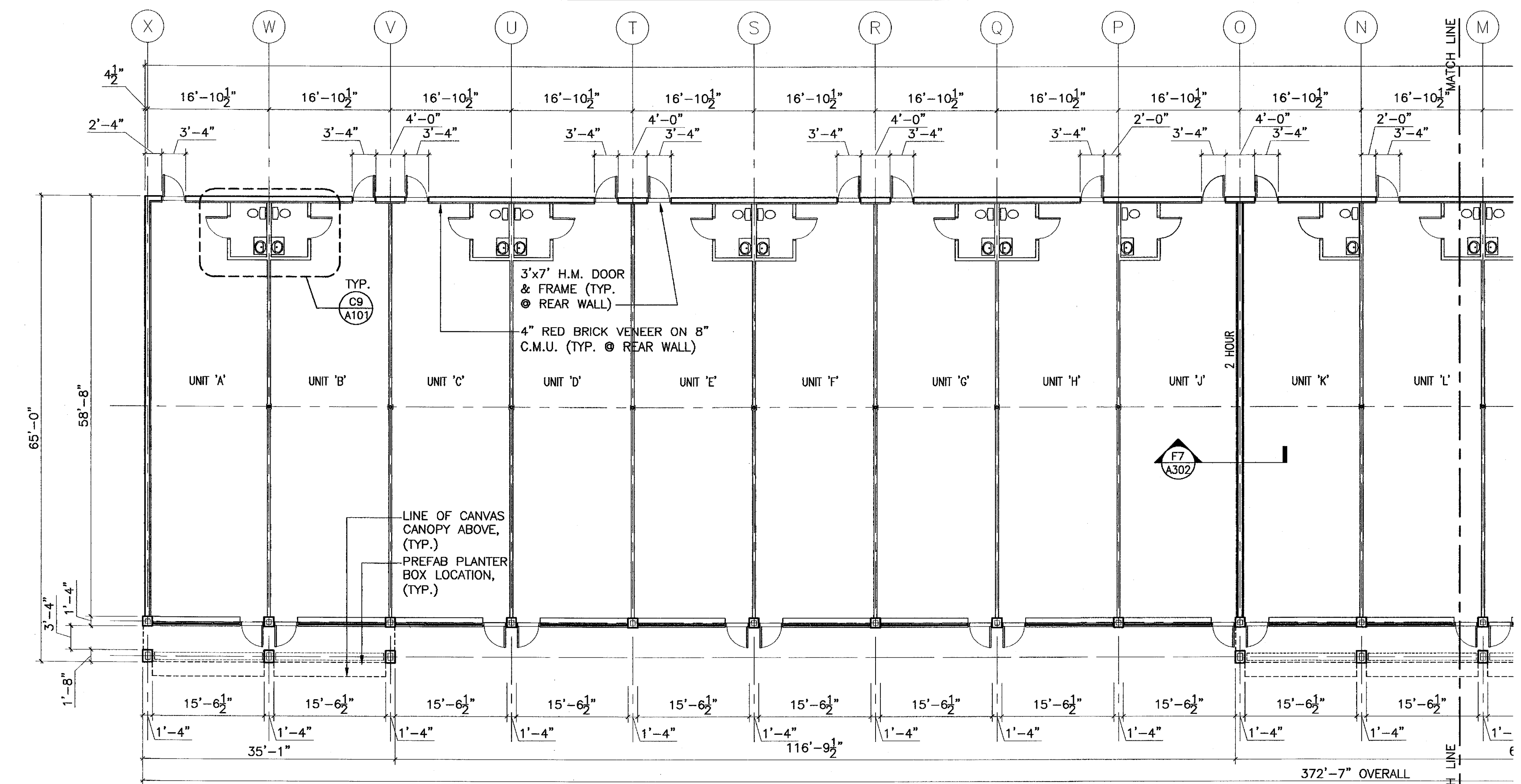
C9 TYP. TOILET PLAN
 SCALE: 3/8" = 1'-0"



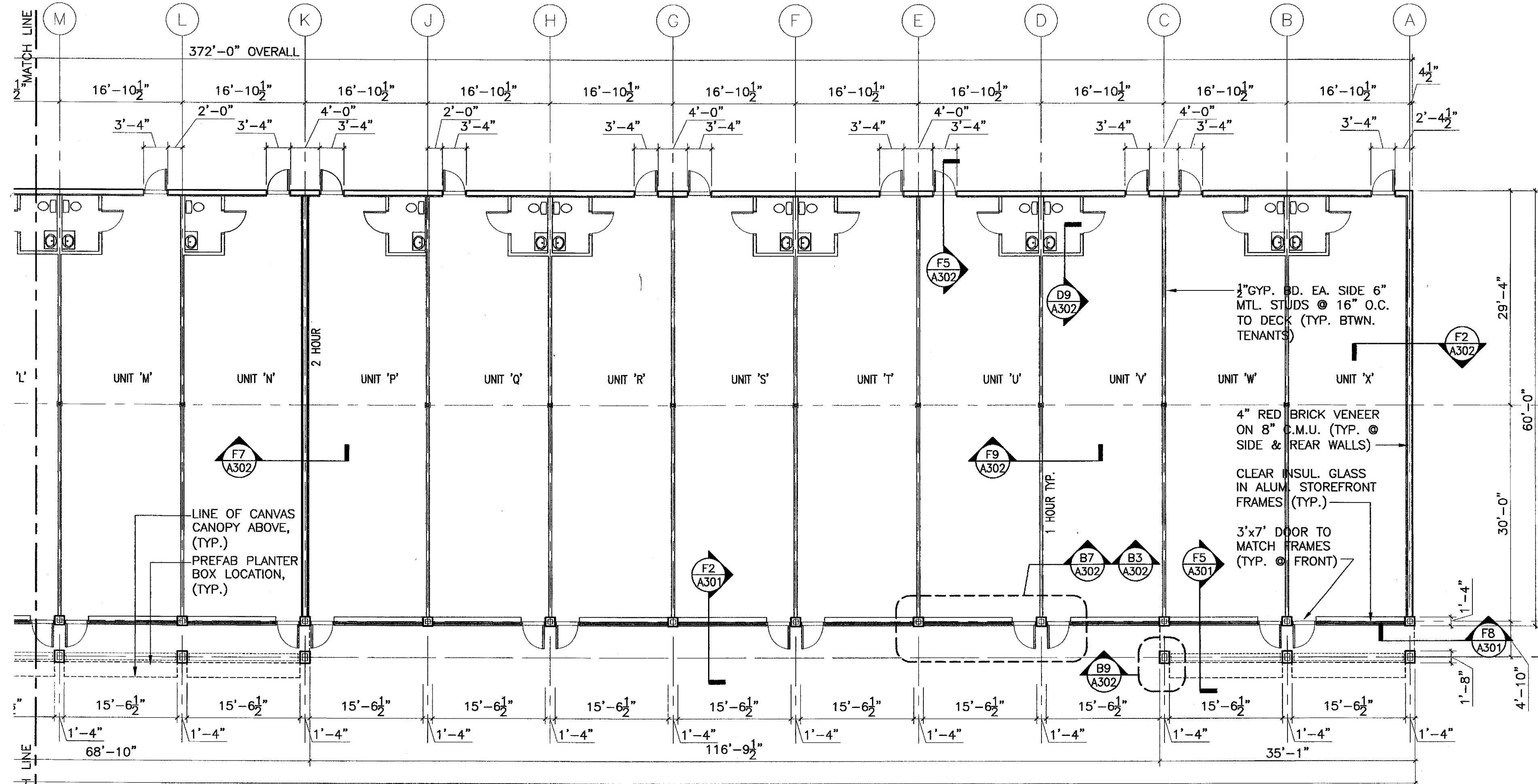
E9 TOILET DETAILS
 SCALE: 3/8" = 1'-0"



F9 LAV. DETAILS
 SCALE: 3/8" = 1'-0"



C6 PLAN - WEST HALF
 SCALE: 3/32" = 1'-0"



F6 PLAN - EAST HALF
 SCALE: 3/32" = 1'-0"