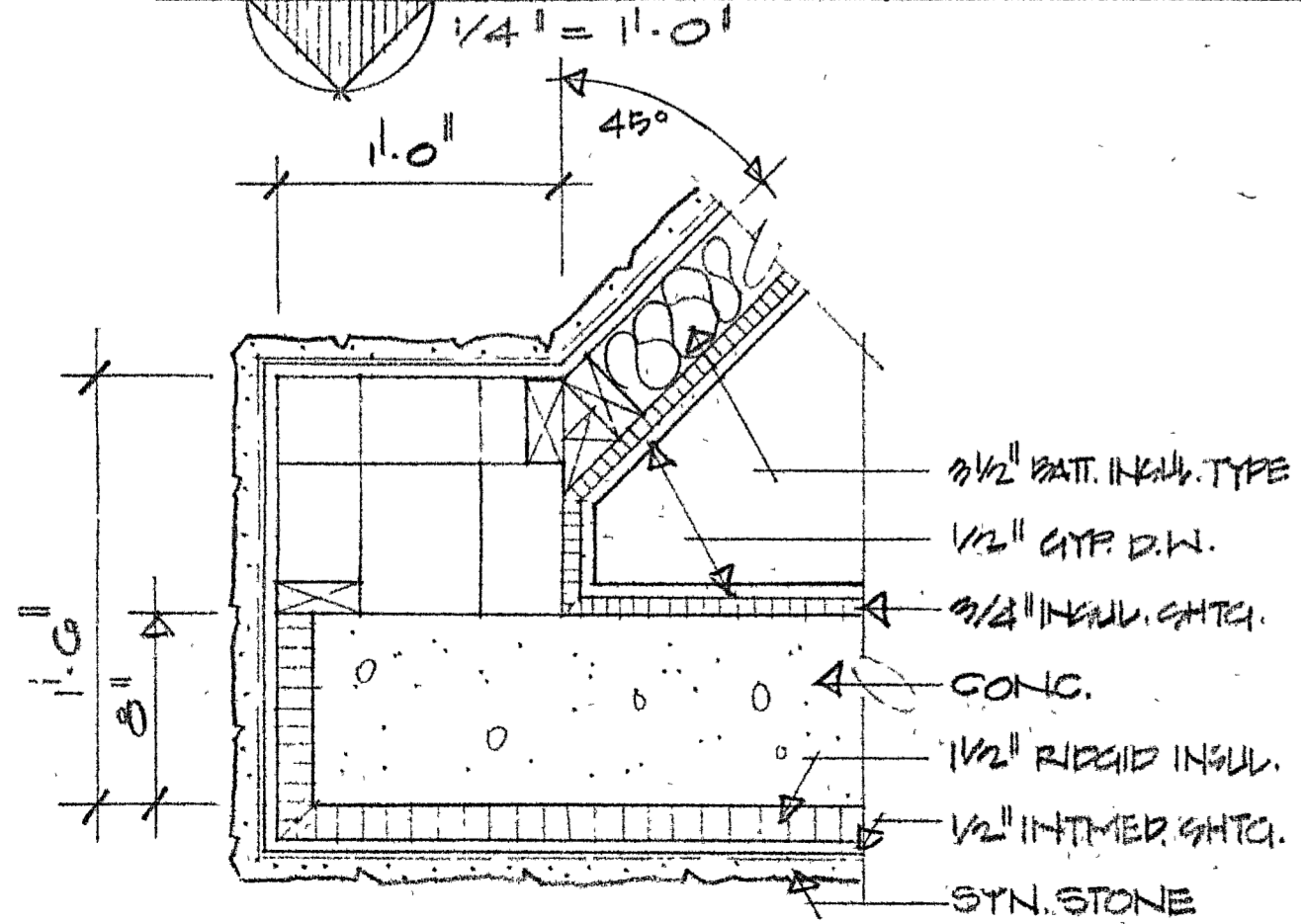
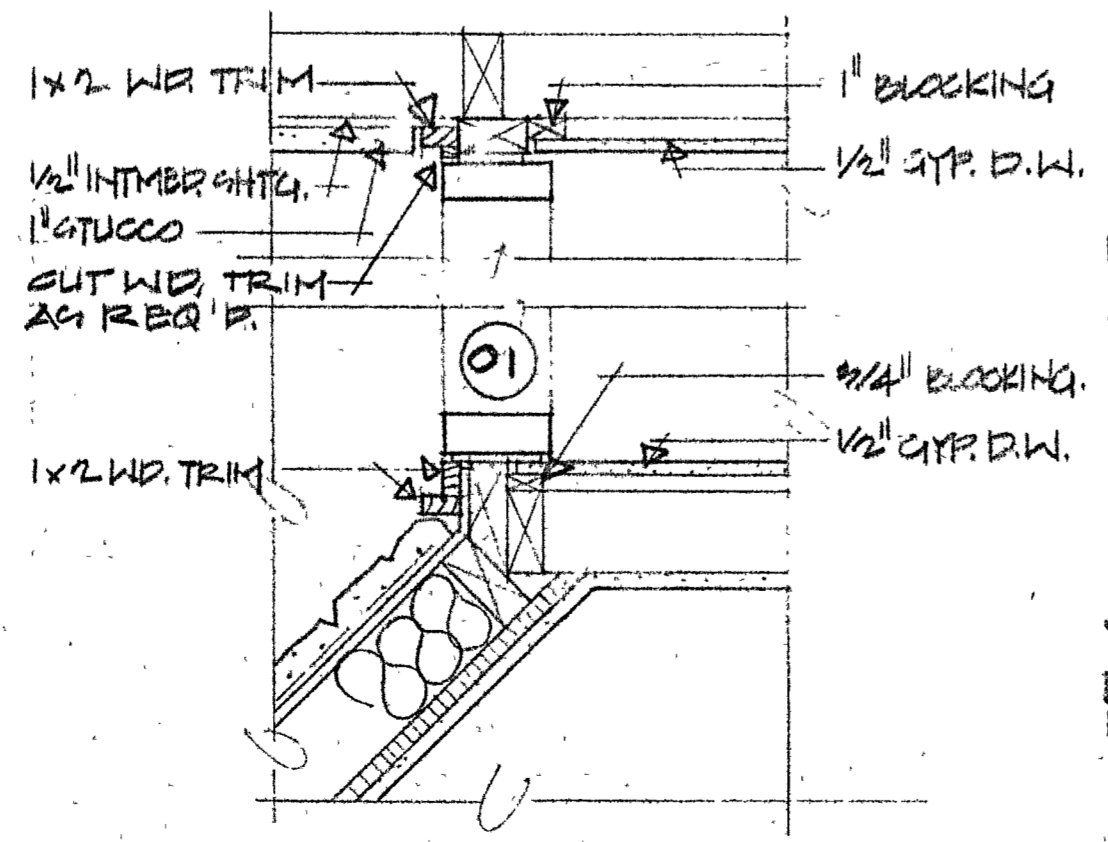


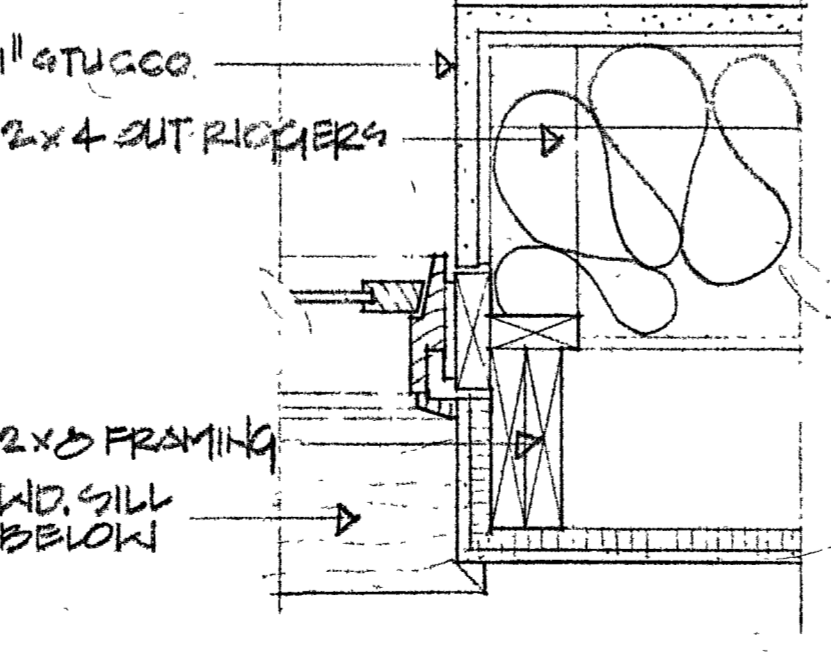
LOWER LEVEL PLAN



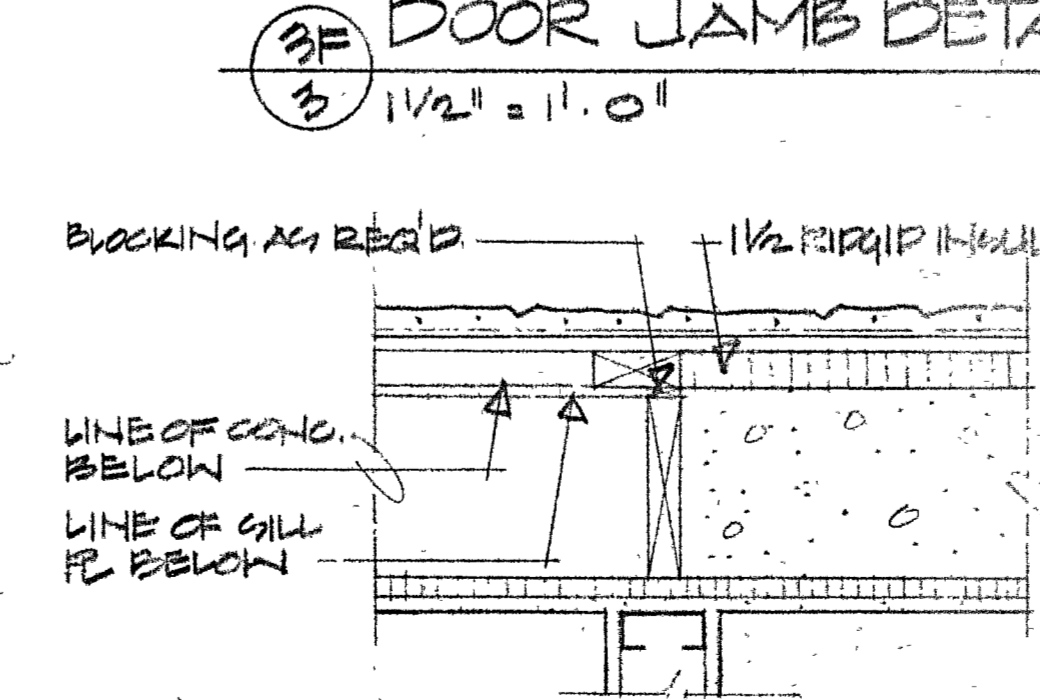
3A CORNER DETAIL
1/2" = 1'-0"



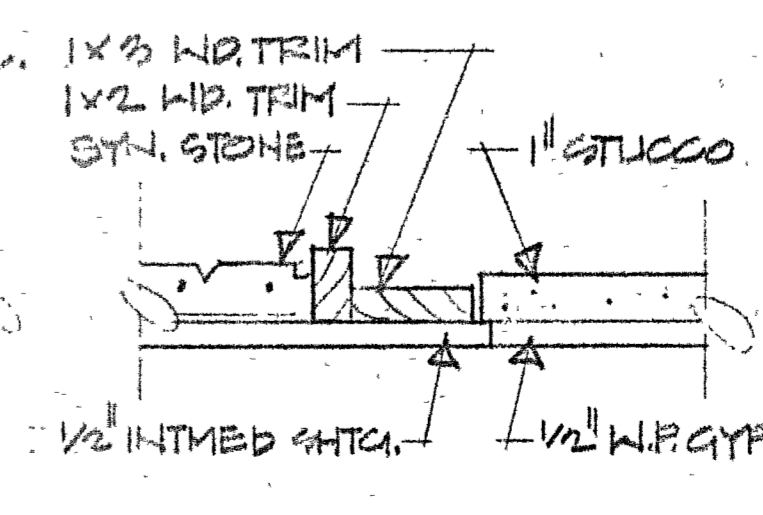
3B JAMB DETAIL
1/2" = 1'-0"



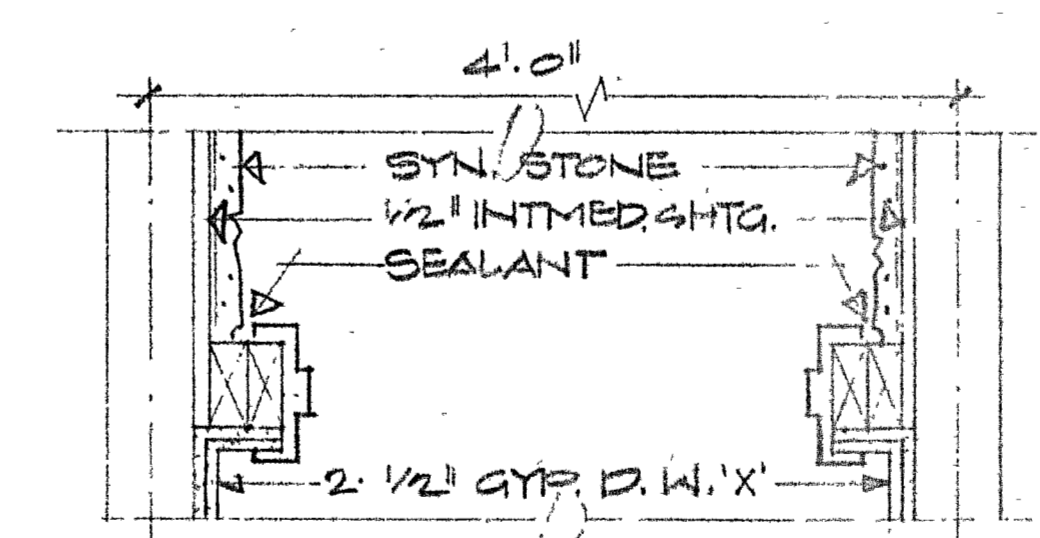
3C WINDOW JAMB DETAIL
1/2" = 1'-0"



3D INTER-FACE DETAIL
1/2" = 1'-0"



3E TYP REVEAL
3/8" = 1'-0"



3F DOOR JAMB DETAIL
1/2" = 1'-0"

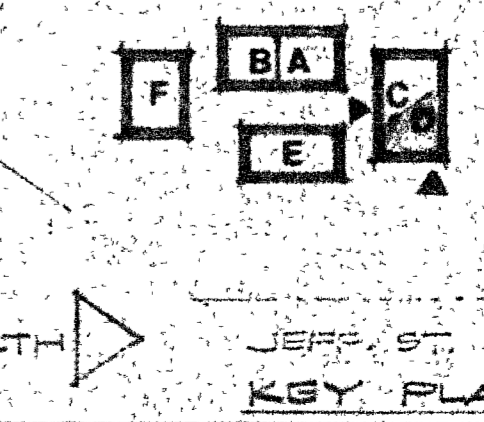
LEGEND - INTERIOR PARTITIONS

- STEEL STUD
- BEARING WALLS - WOOD
- ONE HOUR RATED

NOT FOR CONSTRUCTION

- PRELIMINARY
- PROGRESS PRINTS
- CHECK SET

DATE 7/16/80
BYRON R. DICKSON JR. A.I.A.
ARCHITECT ROANOKE, VA.



REVISION

LOWER LEVEL
BLUE RIDGE MEDICAL LAND ASSOCIATES

BYRON R. DICKSON
ARCHITECT
ROANOKE VIRGINIA
JEFFERSON MEDICAL PARK
ROANOKE VA.

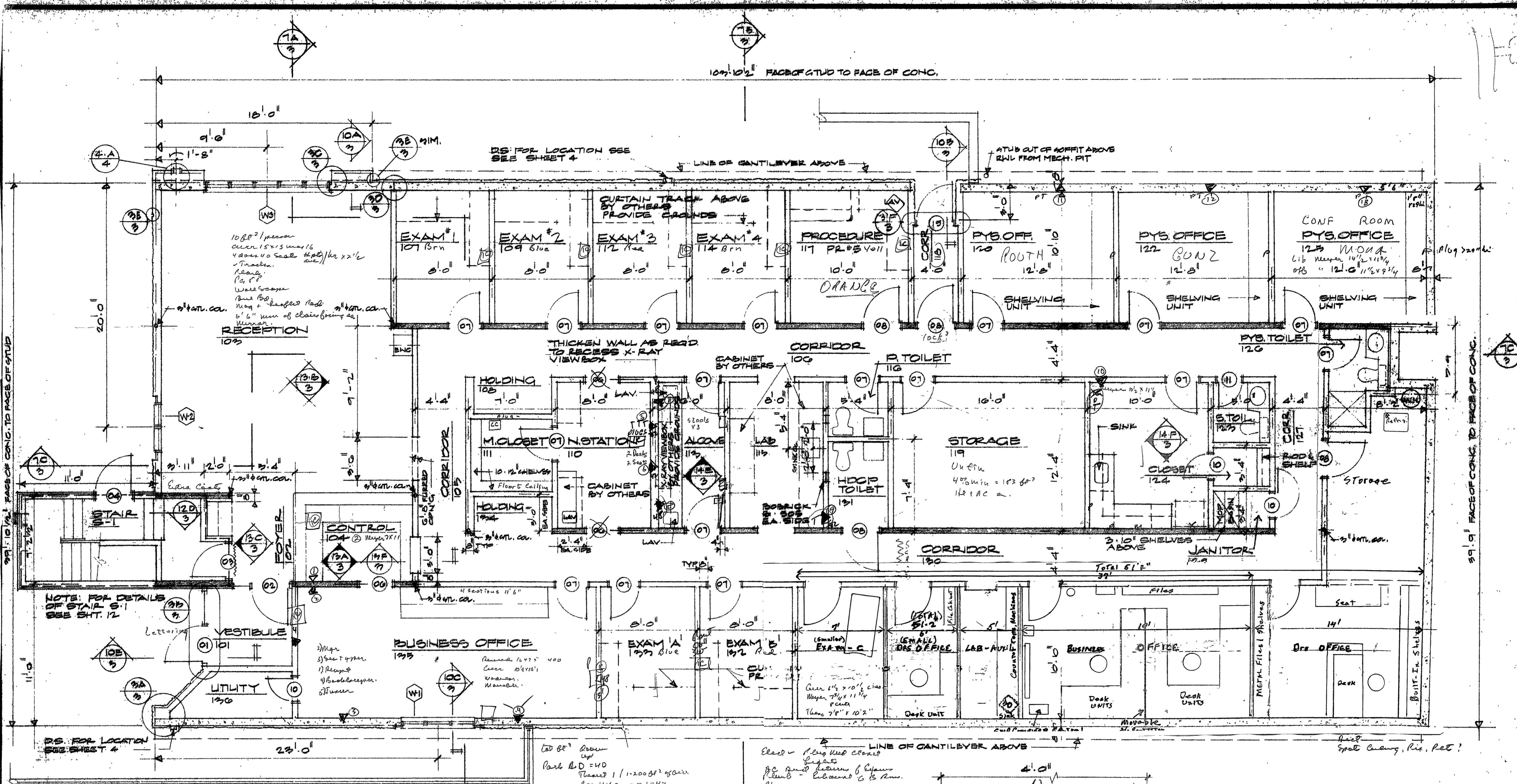
DRAWN BY: DWH
CHECKED: []

DATE: 7/16/80

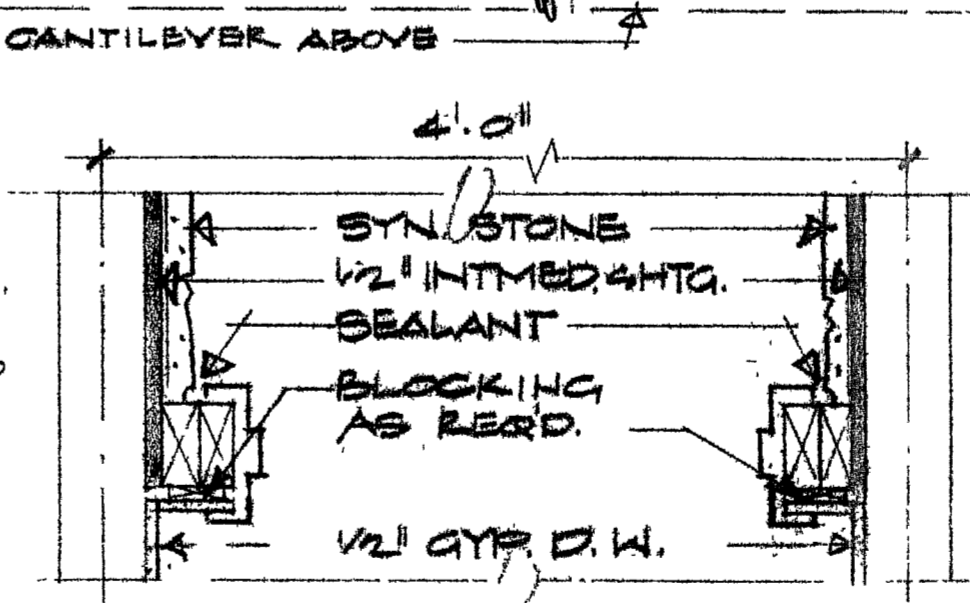
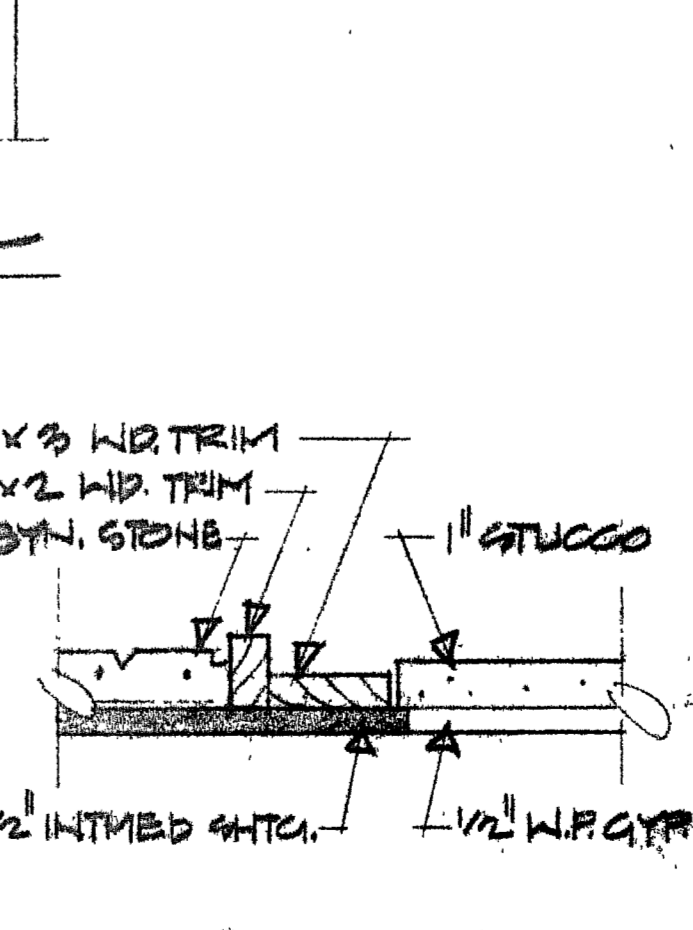
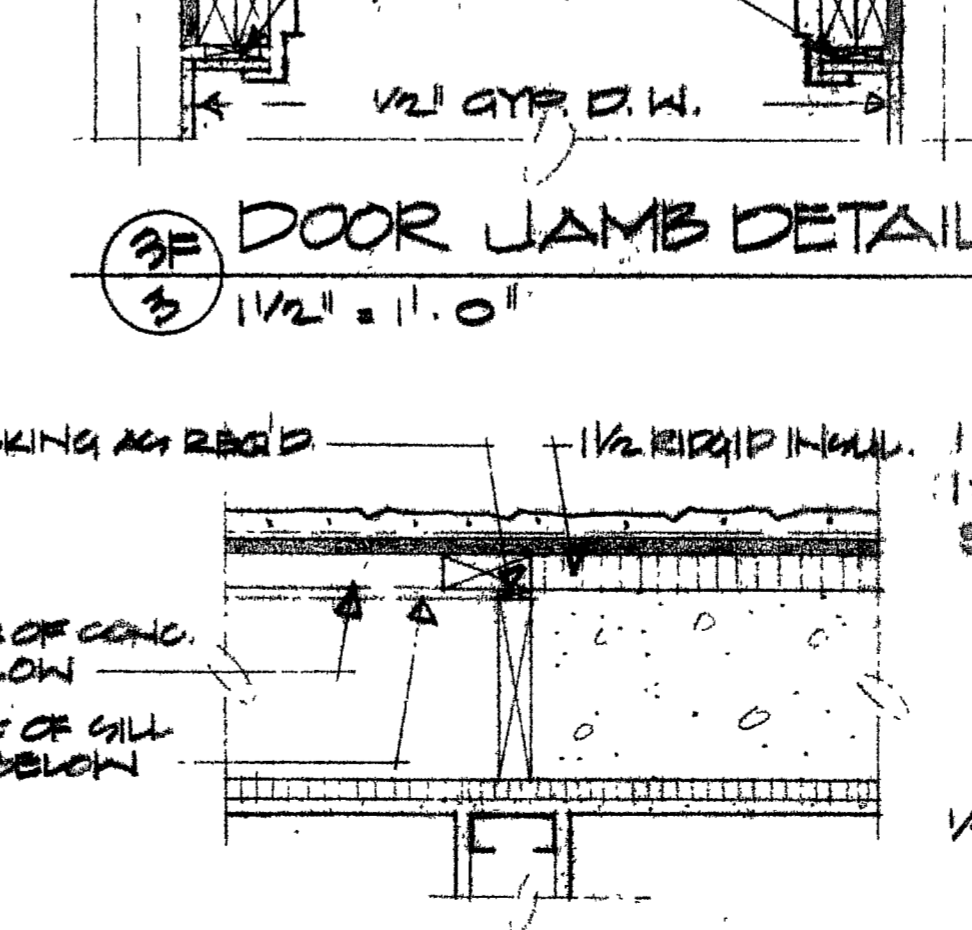
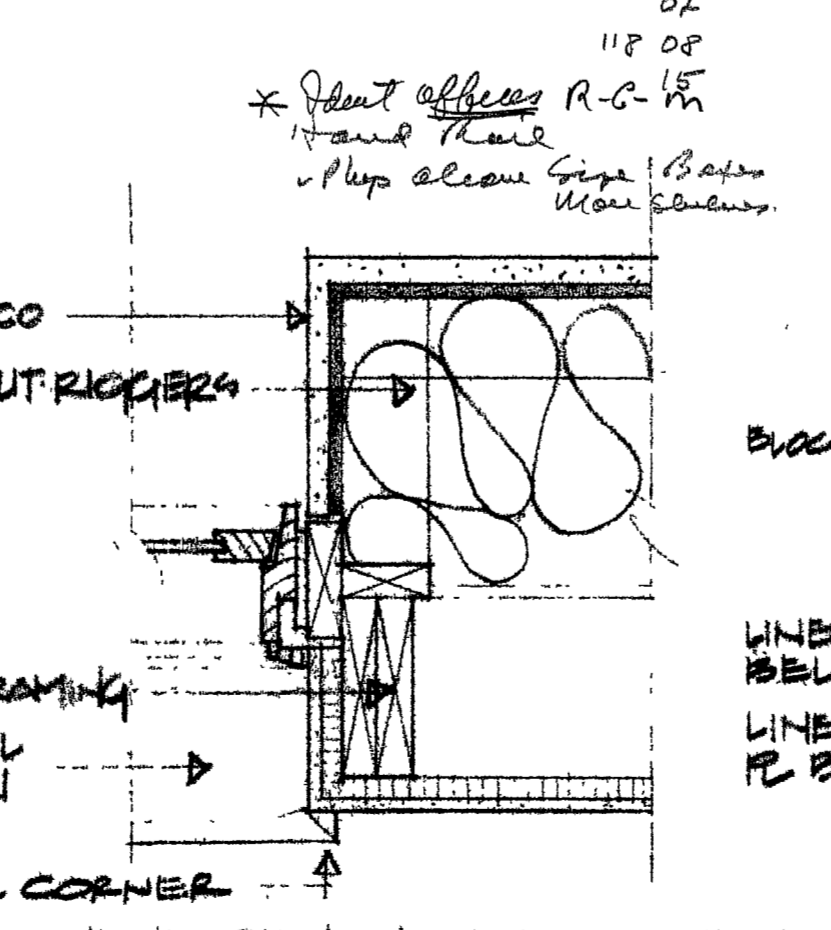
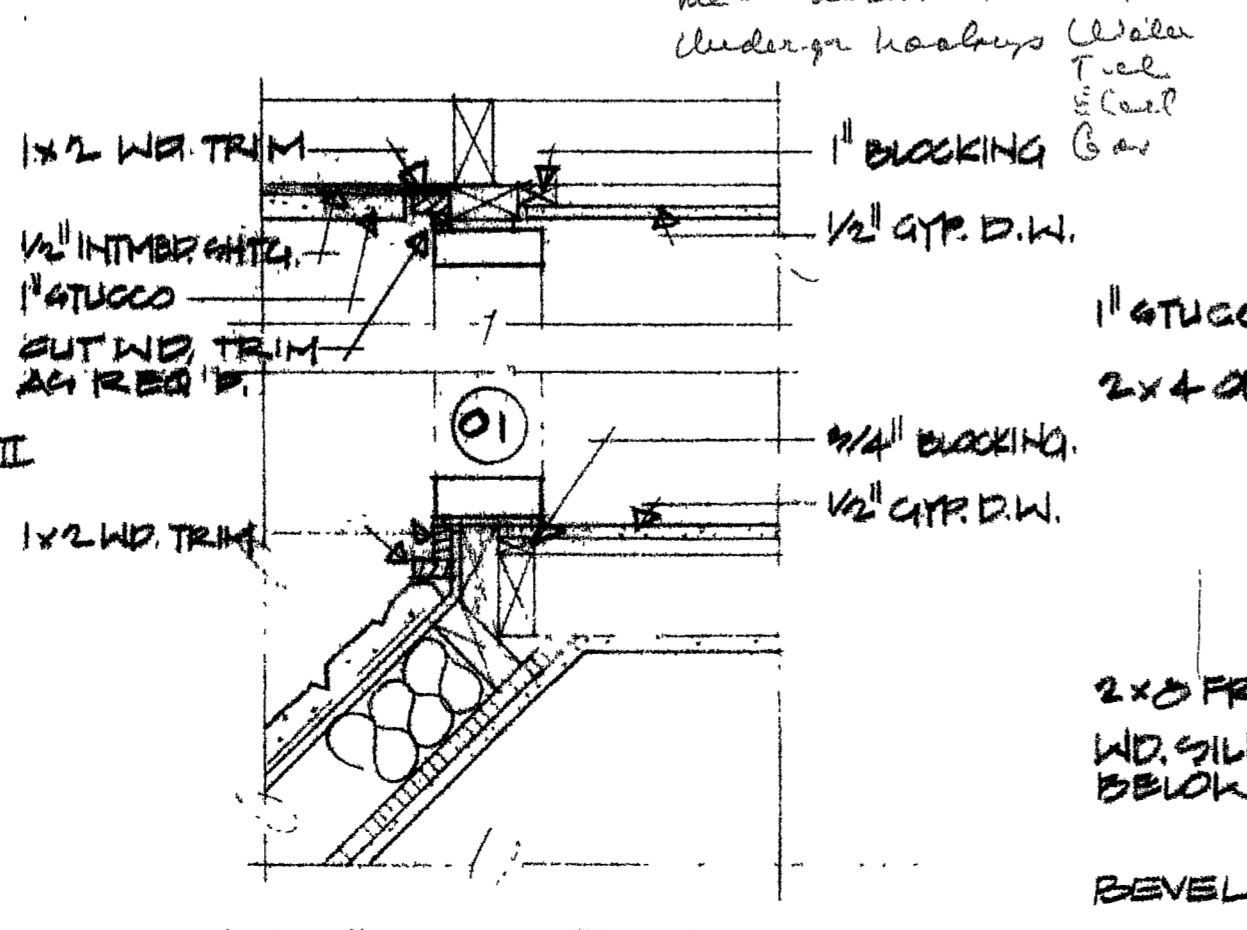
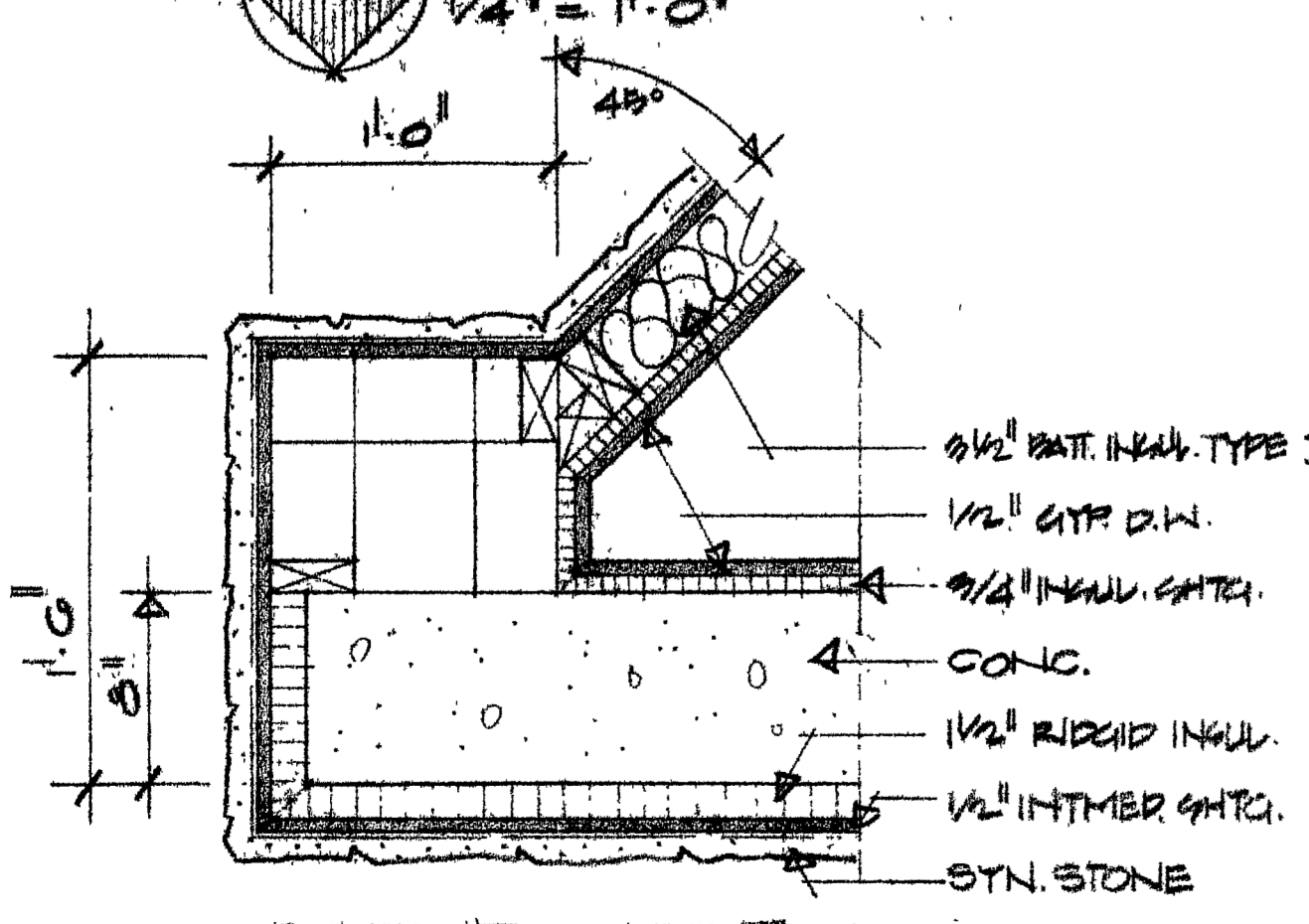
SCALE: 1/4" = 1'-0"

JOB NO: 8003

SHEET: 3 OF 10



LOWER LEVEL PLAN



LEGEND INTERIOR PARTITIONS
 [Symbol] STEEL STUD
 [Symbol] BEARING WALLS - WOOD
 [Symbol] ONE HOUR RATED

* 7/16 ✓

NO.	DESCRIPTION

BYRON R. DICKSON ARCHITECT
 ROANOKE VIRGINIA
 JEFFERSON MEDICAL PARK
 LOWER LEVEL
 BLUE RIDGE MEDICAL LAND ASSOCIATES
 ROANOKE, VA

DRAWN DWH	CHECKED
DATE 7-28-80	SCALE 1/4" = 1'-0"
JOB NO. 8009	SHEET 3