

Suite 108

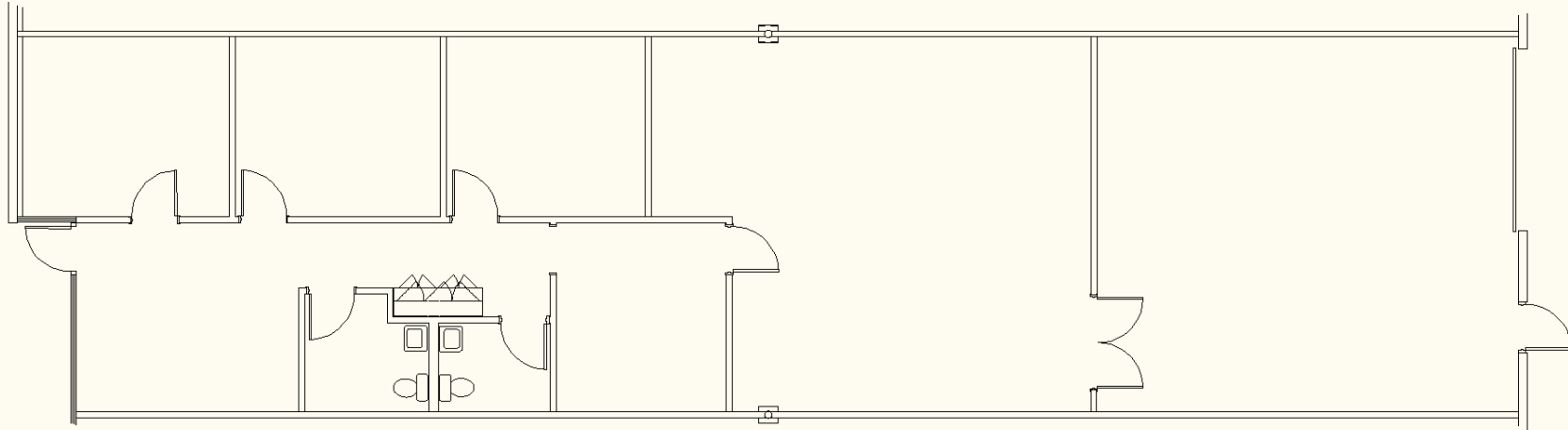
2544 Tarpley Road
Carrollton, Texas



2,500 Rentable Square Feet Available
(Approximately 25' wide by 100' deep)

Large comfortable offices with 10' ceilings

16' clear height in Warehouse with 12' x 12' grade level overhead door



For more information
Contact Isaac

Phone 469-323-9844

Email weathersskylanepartnership@tx.rr.com