

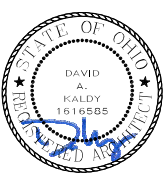
DRAWING SET

■	04/01/2020	PROGRESS
□	04/15/2020	FINAL COORDINATION
□	04/23/2020	BD
□	04/23/2020	PERMIT
□	04/23/2020	CONSTRUCTION

REVISIONS

▲	7/28/2020	
▲	1/15/2021	
▲		
▲		

SEAL



PROJECT NUMBER: 020011

SHEET TITLE: BUILDING ELEVATIONS - OVERALL
SHEET NUMBER:

A4.00

GENERAL NOTES TYP BUILDING ELEVATIONS

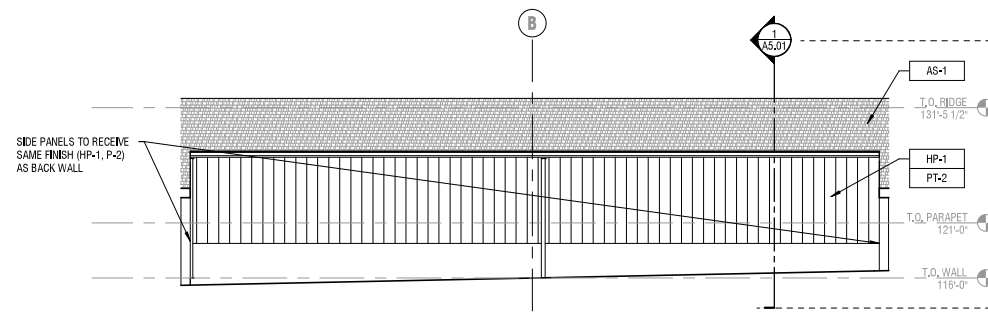
- REFER TO PEMB MANUFACTURER SPECIFICATIONS FOR ADDITIONAL INFORMATION REGARDING PEMB EXTERIOR MATERIAL FINISHES
- BUILDING-MOUNTED EQUIPMENT IS SHOWN FOR REFERENCE ONLY. REFER TO MEP DETAIL DRAWINGS FOR SPECIFICATIONS, TYP.
- EXTERIOR SIGNAGE IS BY OWNER AND TO BE COORDINATED WITH OWNER'S SIGN VENDOR. THE EXTERIOR SIGNAGE CONTRACTOR SHALL BE FULLY RESPONSIBLE FOR ALL REQUIRED SIGN PERMITS
- ALL WALL-MOUNT EXHAUST FANS, LOUVERS, ETC. TO HAVE A COLOR TO MATCH ADJACENT FINISH. SUBJECT TO ARCHITECT APPROVAL. REFER TO MECHANICAL DRAWINGS FOR FINAL LOCATIONS AND ADDITIONAL INFORMATION, TYP.
- PRODUCTS LISTED BELOW FORM THE BASIS OF DESIGN. PRODUCTS W/COMPARABLE DESIGNS, MATERIALS, PERFORMANCE CHARACTERISTICS, TEXTURES, COLORS CAN BE SUBMITTED TO THE ARCHITECT FOR REVIEW, UNLESS NOTED OTHERWISE.
- ALL MATERIALS TO BE STORED, AND INSTALLED ACCORDING TO MANUFACTURER'S RECOMMENDATIONS
- ALL EXTERIOR TRIM BOARDS TO BE HARDIE PLANK - BASIS OF DESIGN HARDIE TRIM BOARDS 5/4 RUSTIC 5.5". PAINT P-2

MATERIAL LEGEND

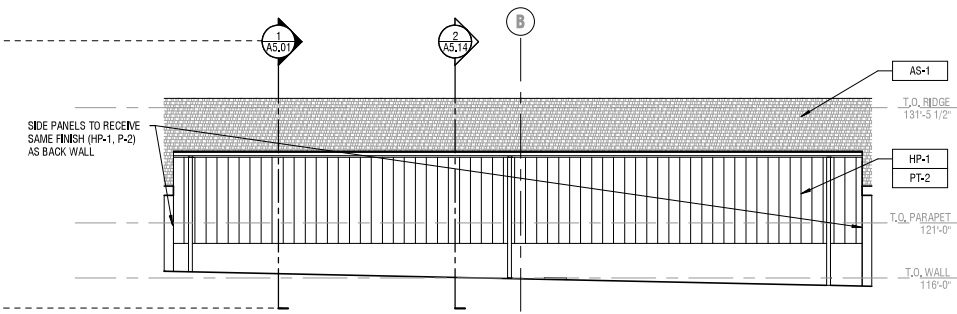
- HP-1 HARDPANEL VERTICAL BOARD AND BATTEN**
MANUFACTURER: JAMES HARDIE
SYSTEM: HARDPANEL VERTICAL SIDING WITH HARDPANEL BATTEN STRIPS
COLOR: ARTIC WHITE
FINISH: SELECT CEDARMILL
- HP-2 HARDPANEL HORIZONTAL LAP SIDING**
MANUFACTURER: JAMES HARDIE
SYSTEM: HARDPANEL LAP SIDING
COLOR: ARTIC WHITE
FINISH: SELECT CEDARMILL
- ST-1 STONE VENEER**
MANUFACTURER: PROVA
SYSTEM: LIMESTONE VENEER
COLOR: SANDUSKY SHORE
MORTAR: GREY
JOINT STYLE: LIMESTONE
- AB-1 ACCENT BAND**
MANUFACTURER: OBERFELDS
SYSTEM: COLOSSAL BLOCK
COLOR: SILVER BUFF
FINISH: SMOOTH FACE
- XX-1 ENGINEERED STONE BLOCK**
NOT USED
- SF-1 STOREFRONT**
REFER TO GLAZING ELEVATIONS
- AS-1 ASPHALT FIBERGLASS DIMENSIONAL SHINGLES**
MANUFACTURER: CERTANTEED
SYSTEM: LANDMARK
COLOR: DRIFTWOOD
- SS-1 STANDING SEAM ROOFING**
MANUFACTURER: EXCEPTIONAL METALS
SYSTEM: EM BATTENLOK HS (12" WIDE)
COLOR: MENIGHT BRONZE
FINISH: SMOOTH
- PT-1 PAINT**
NOT USED
- PT-2 PAINT**
MANUFACTURER: SHERWIN WILLIAMS
COLOR: SW 8258 THEORIN BLACK TRIM
LOCATION: FIELD
- PT-3 PAINT**
MANUFACTURER: SHERWIN WILLIAMS
COLOR: SW 6170 TECHN0 GRAY
LOCATION: EIFS CAP

CODED NOTE - ELEVATIONS BUILDING

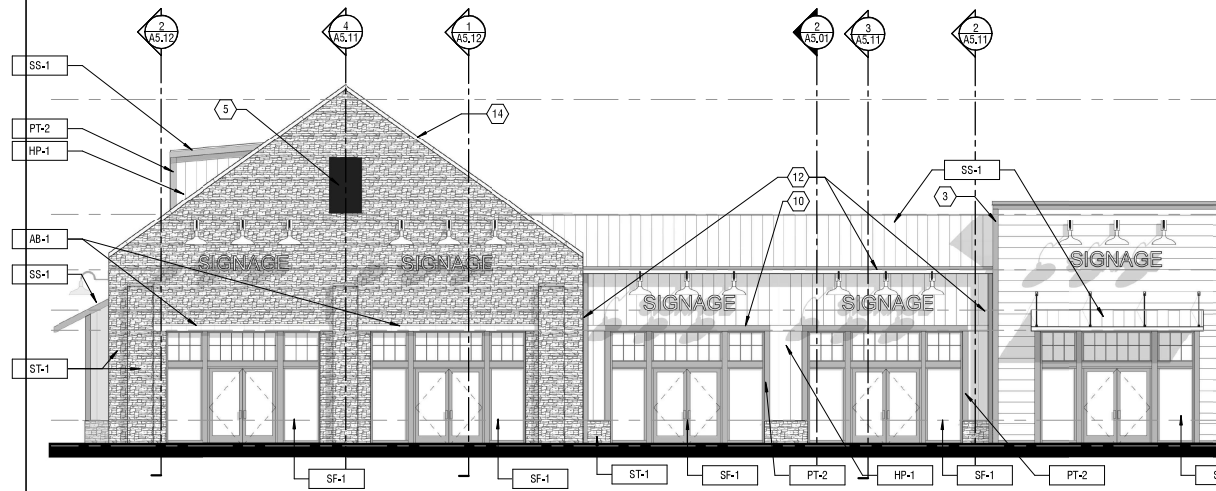
- PREMANUFACTURED THRU-WALL SCUPPER, BY ROOFING MANUFACTURER. COORDINATE EXACT ELEVATION & LOCATION IN FIELD.
- GAS LINES TO PENETRATE PARAPET AT ROOF LINE. GAS LINES TO BE EQUALLY SPACED AND PAINTED TO MATCH ADJACENT SIDING. PENETRATIONS TO BE SEALED WITH A SEALANT TO MATCH ADJACENT SIDING.
- TRIM AT CORNER ON FRONT FACE AND ADJACENT SIDE METERS - PAINTED TO MATCH ADJACENT SIDING
- FALSE LOUVER - SPECIFIED AS DARK BRONZE
- NOT USED
- NOT USED
- NOT USED
- NOT USED
- KNOX BOX - SPECIFIED AS DARK BRONZE
- DECORATIVE BAND BOARD - PAINTED TO MATCH ADJACENT SIDING
- ALL EXTERIOR LIGHTING - SPECIFIED AS BLACK FINISH
- DOWNSPOUTS AND GUTTERS - SPECIFIED TO MATCH DARK BRONZE
- DOWNSPOUTS - PAINTED TO MATCH ADJACENT SIDING
- EIFS - COLOR TO MATCH PT-3



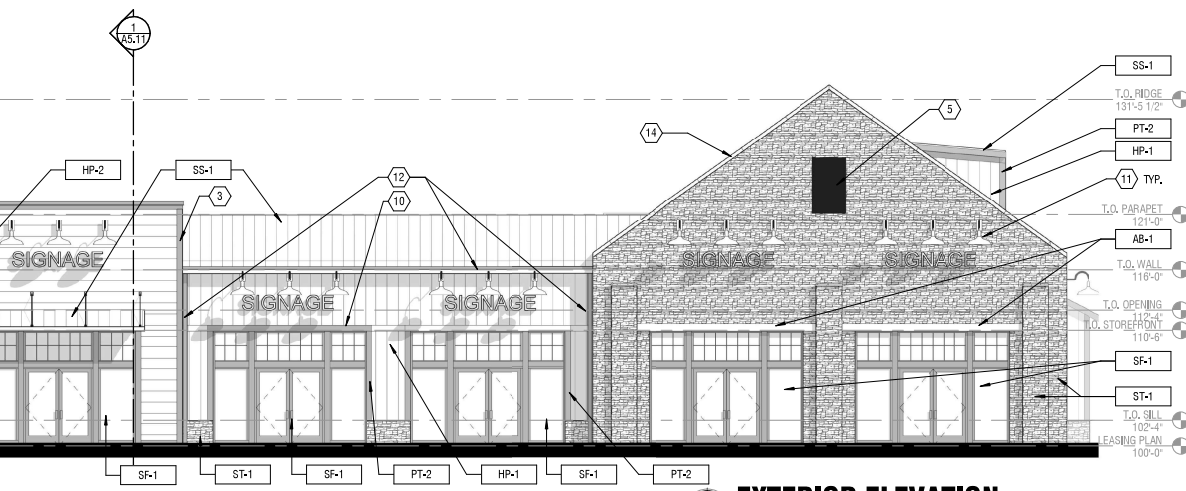
6 EXTERIOR ELEVATION - ROOF
SCALE 1/8" = 1'-0"



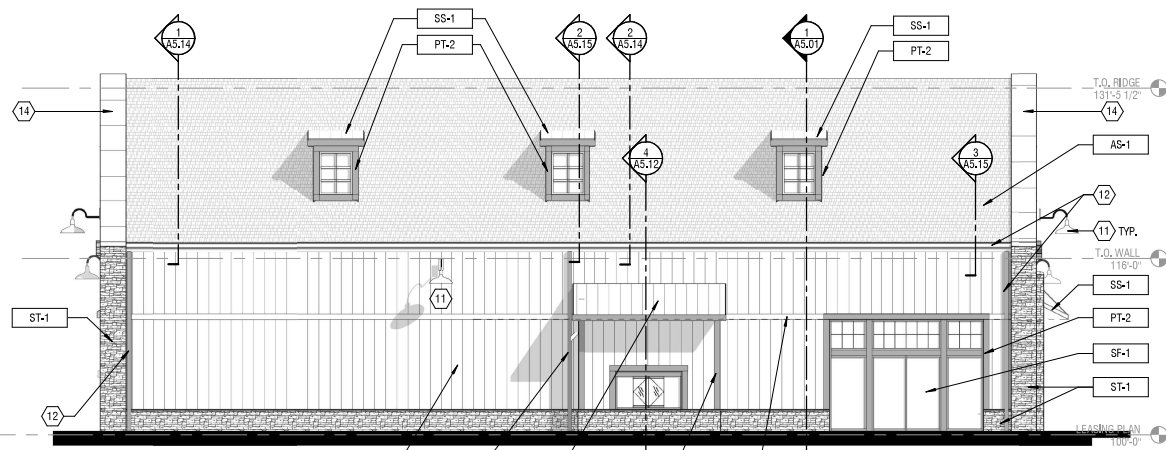
5 EXTERIOR ELEVATION - ROOF
SCALE 1/8" = 1'-0"



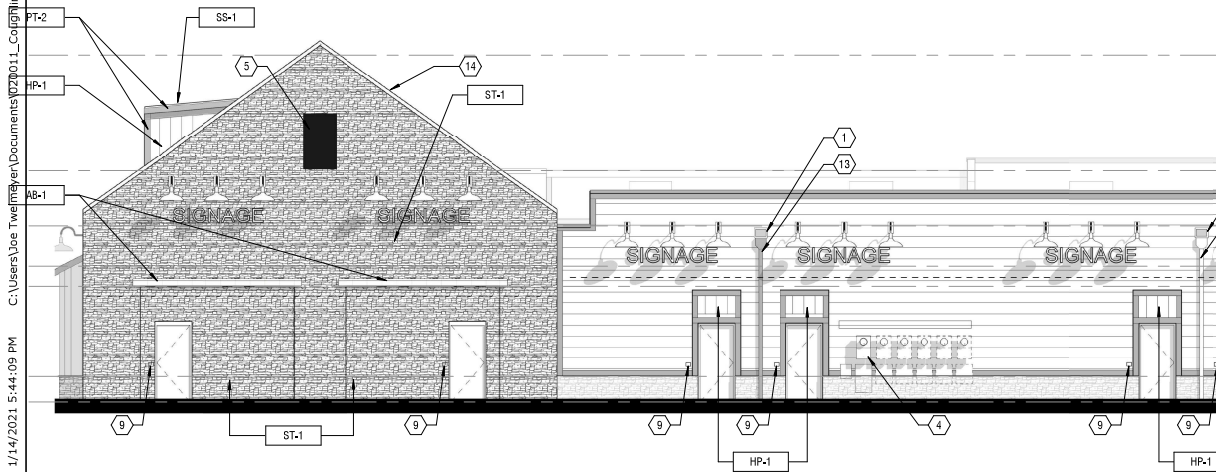
3 EXTERIOR ELEVATION
SCALE 1/8" = 1'-0"



4 EXTERIOR ELEVATION
SCALE 1/8" = 1'-0"

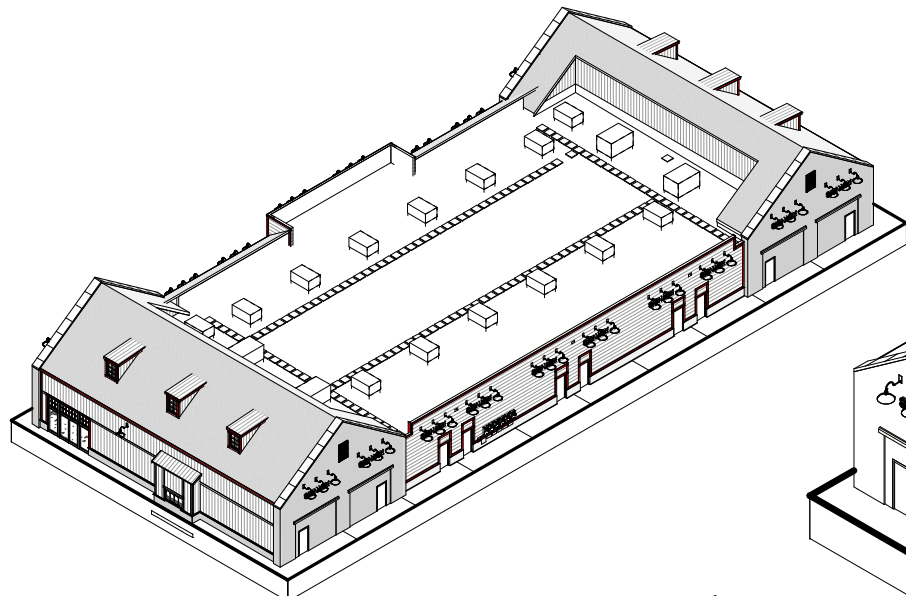


2 EXTERIOR ELEVATION
SCALE 1/8" = 1'-0"

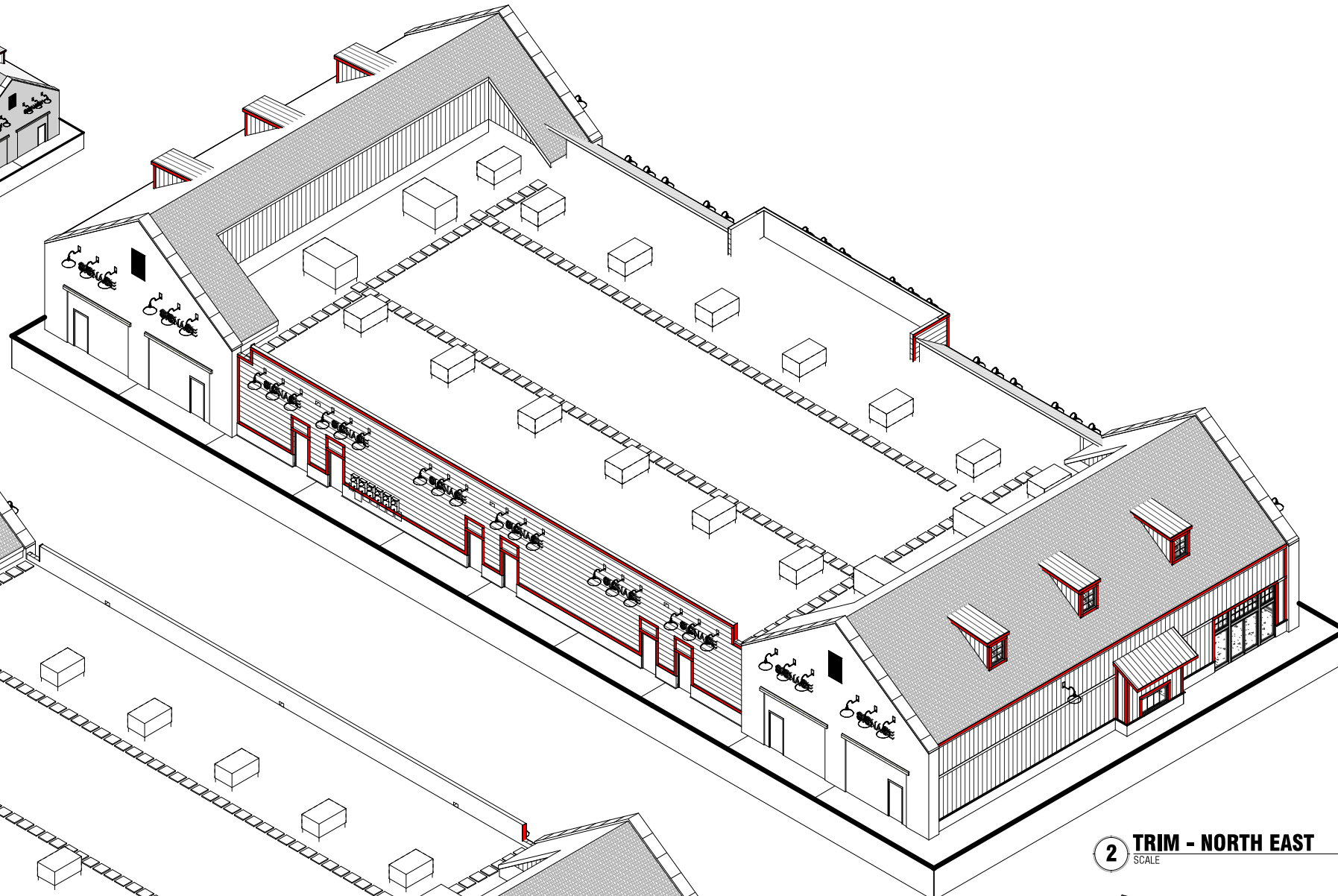


1 EXTERIOR ELEVATION
SCALE 1/8" = 1'-0"

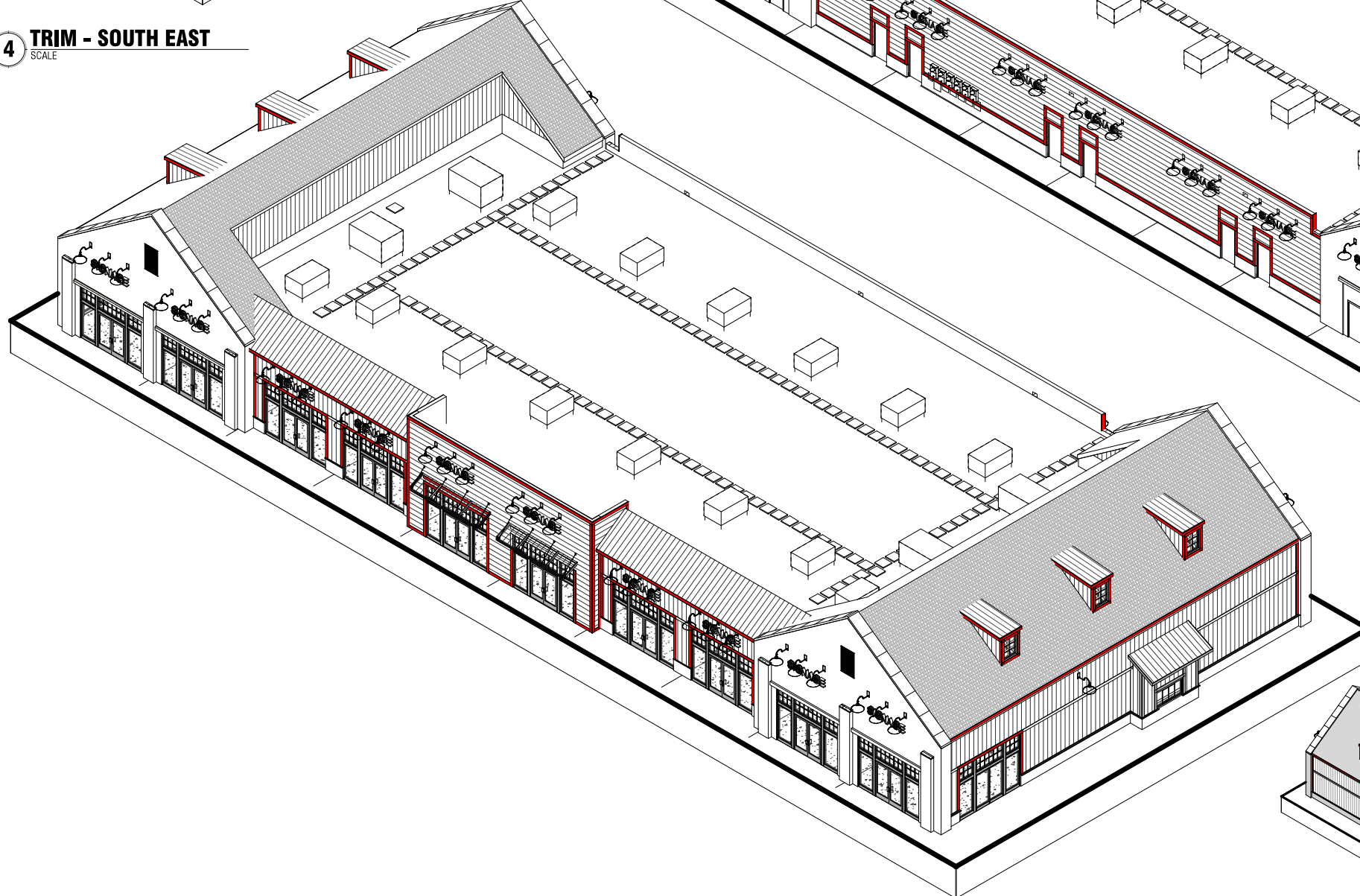
THIS DRAWING SHOWS WHERE ALL TRIM PIECES ARE TO BE LOCATED ON THE PROJECT. THEY HAVE ALL BEEN HIGHLIGHTED IN RED ON THESE VIEWS. FOR CLARIFICATION PURPOSES, GUTTERS AND DOWNSPOUTS HAVE BEEN HIDDEN IN THESE VIEWS



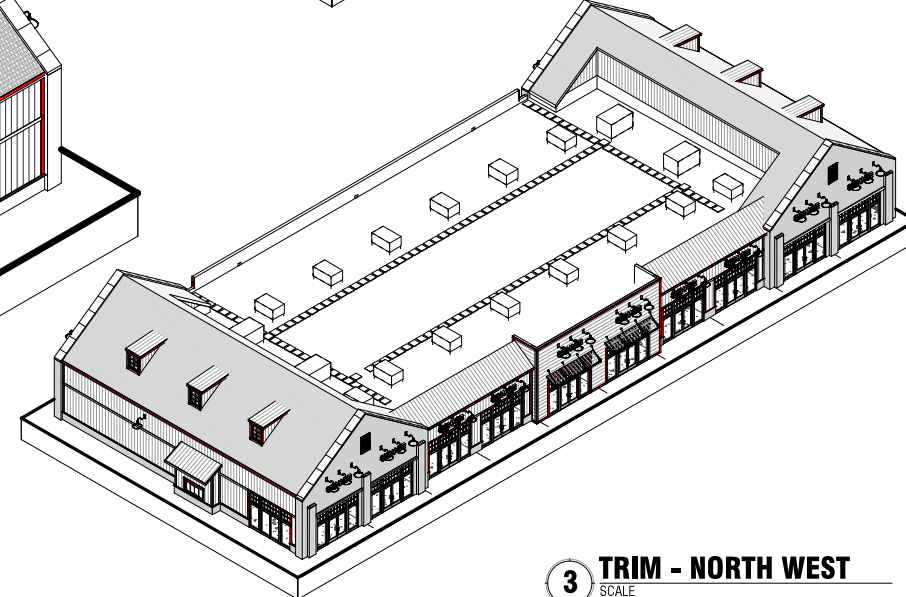
4 TRIM - SOUTH EAST
SCALE



2 TRIM - NORTH EAST
SCALE



1 TRIM - SOUTH WEST
SCALE



3 TRIM - NORTH WEST
SCALE

DRAWING SET

■	04/01/2020	PROGRESS
□	04/15/2020	FINAL COORDINATION
■	04/23/2020	BD
□	04/23/2020	PERMIT
□		CONSTRUCTION

REVISIONS

▲	5/20/2020	
▲		
▲		
▲		

SEAL



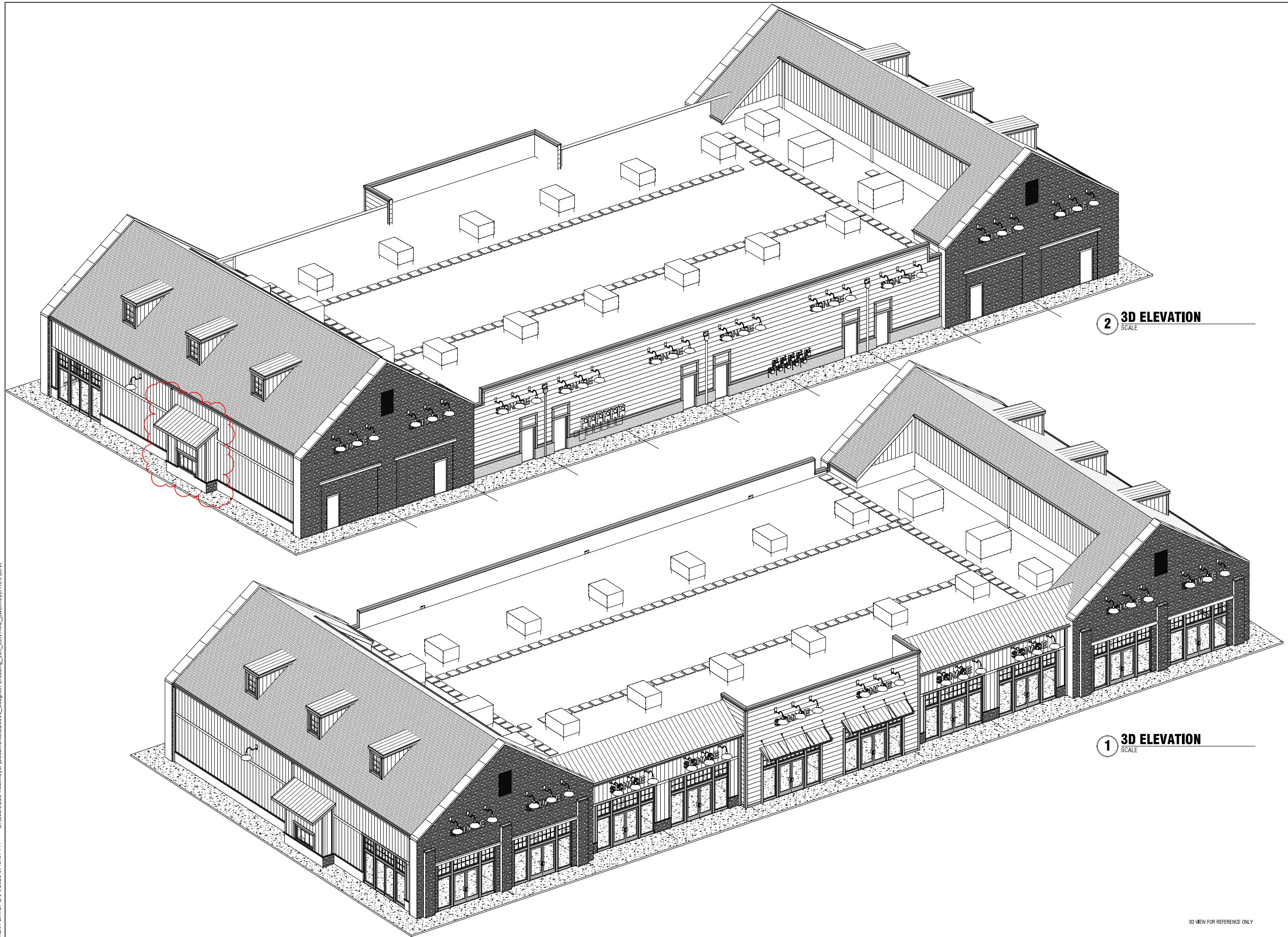
PROJECT NUMBER 020011

SHEET TITLE EXTERIOR FACIA AND TRIM

SHEET NUMBER

A4.01

PRINT DATE: 1/14/2021 5:45:07 PM C:\Users\Doc_Twelmeyer\Documents\020011_Coughlin_Crossing_1BK_CENTRAL_jewelmeier\A4.02.dwg



2 3D ELEVATION
SCALE

1 3D ELEVATION
SCALE

COUGHLIN CROSSING 17K

DRAWING SET

■	04/01/2020	PROGRESS
□	04/15/2020	FINAL COORDINATION
▣	04/23/2020	IBD
■	04/23/2020	PERMIT
□		CONSTRUCTION

REVISIONS

▲	5/20/2020	
▲	1/15/2021	
▲		
▲		

SEAL



PROJECT NUMBER 020011

SHEET TITLE 3D NEW

SHEET NUMBER

A4.02

3D NEW FOR REFERENCE ONLY

PRINT DATE: 1/14/2021 5:46:43 PM C:\Users\Doc Twelmeier\Documents\020011_Coughlin Crossing_17K_CENTRAL_jwelmeyer\T4\FD.dwg



COUGHLIN CROSSING 17K

DRAWING SET

- 04/01/2020 PROGRESS
- 04/15/2020 FINAL COORDINATION
- 04/23/2020 BID
- 04/23/2020 PERMIT
- CONSTRUCTION

REVISIONS

- ▲ 1/15/2021
- ▲
- ▲
- ▲

SEAL



PROJECT NUMBER 020011

SHEET TITLE PERSPECTIVES

SHEET NUMBER

A4.03