



Revisions		
Number	Description	Date

Open studio architecture, PLLC © 2019
All Rights Reserved
THIS DRAWING IS PROVIDED AS AN INSTRUMENT OF SERVICE BY THE ARCHITECT AND IS INTENDED FOR USE ON THIS PROJECT ONLY. THE DRAWING REMAINS THE PROPERTY OF THE ARCHITECT AND SHALL BE RETURNED TO HIM/HER UPON COMPLETION OF THE CONSTRUCTION WORK. PURSUANT TO THE ARCHITECTURAL WORKS COPYRIGHT PROTECTION ACT OF 1990, ALL DRAWINGS, SPECIFICATIONS, IDEAS, AND DESIGNS, INCLUDING THE OVERALL FORM, ARRANGEMENT, AND COMPOSITION OF THE SPACES, AND ELEMENTS APPEARING HEREIN, CONSTITUTE THE COPYRIGHT WORK OF THE ARCHITECT. ANY REPRODUCTION, USE, OR DISCLOSURE OF INFORMATION CONTAINED HEREIN WITHOUT PRIOR WRITTEN CONSENT OF THE ARCHITECT IS STRICTLY PROHIBITED.

ALMOUIE PEDIATRICS-OAK RUN POINT
2188 State Hwy 46 Suite 104-106
New Braunfels TX 78132

project #: 19.098
date: 08/09/19
drawn by: Author
checked by: Checker
drawing title:

FLOOR PLAN, REFLECTED CEILING PLAN & PARTITION PLAN

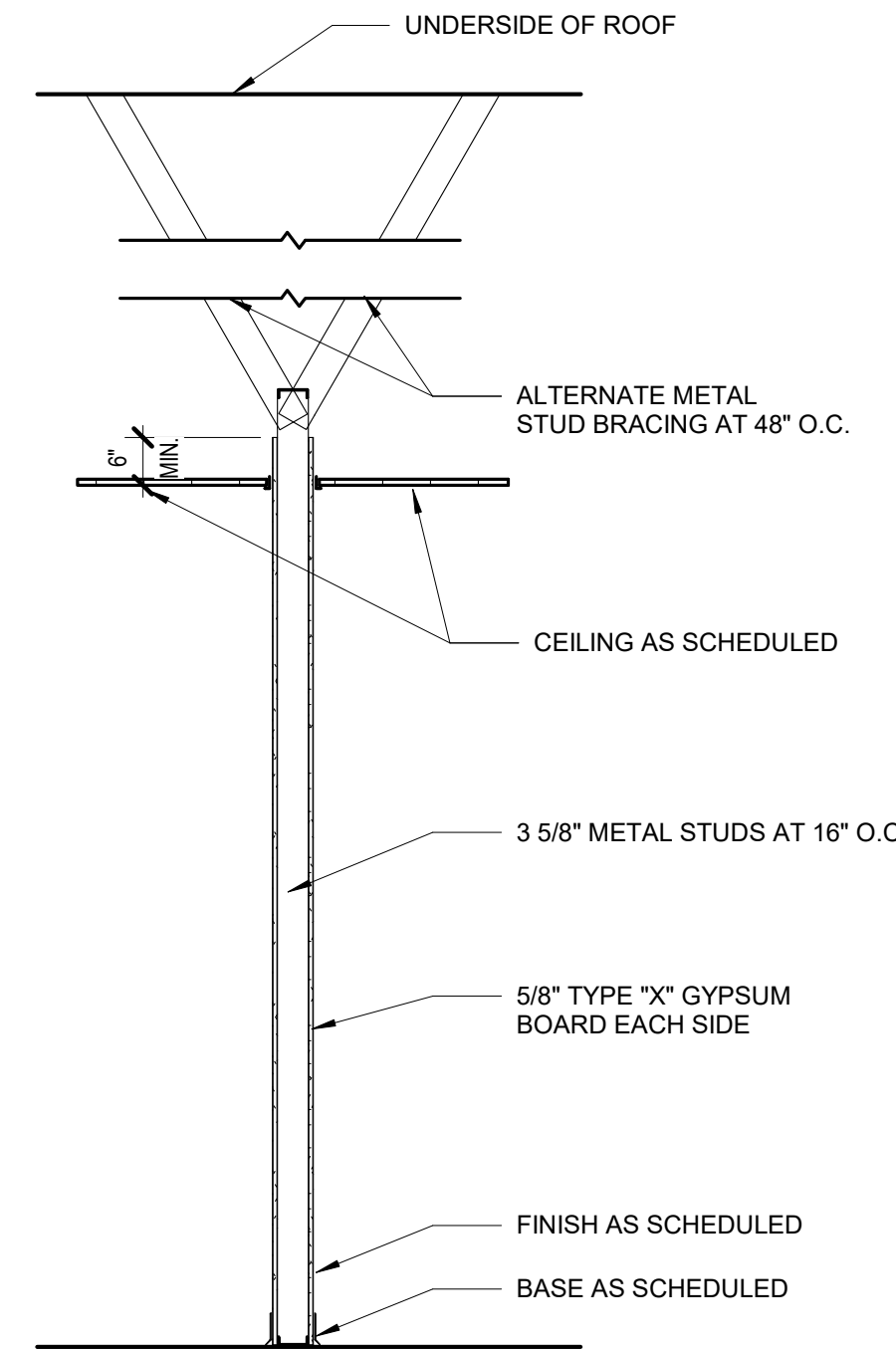
drawing number:

A101

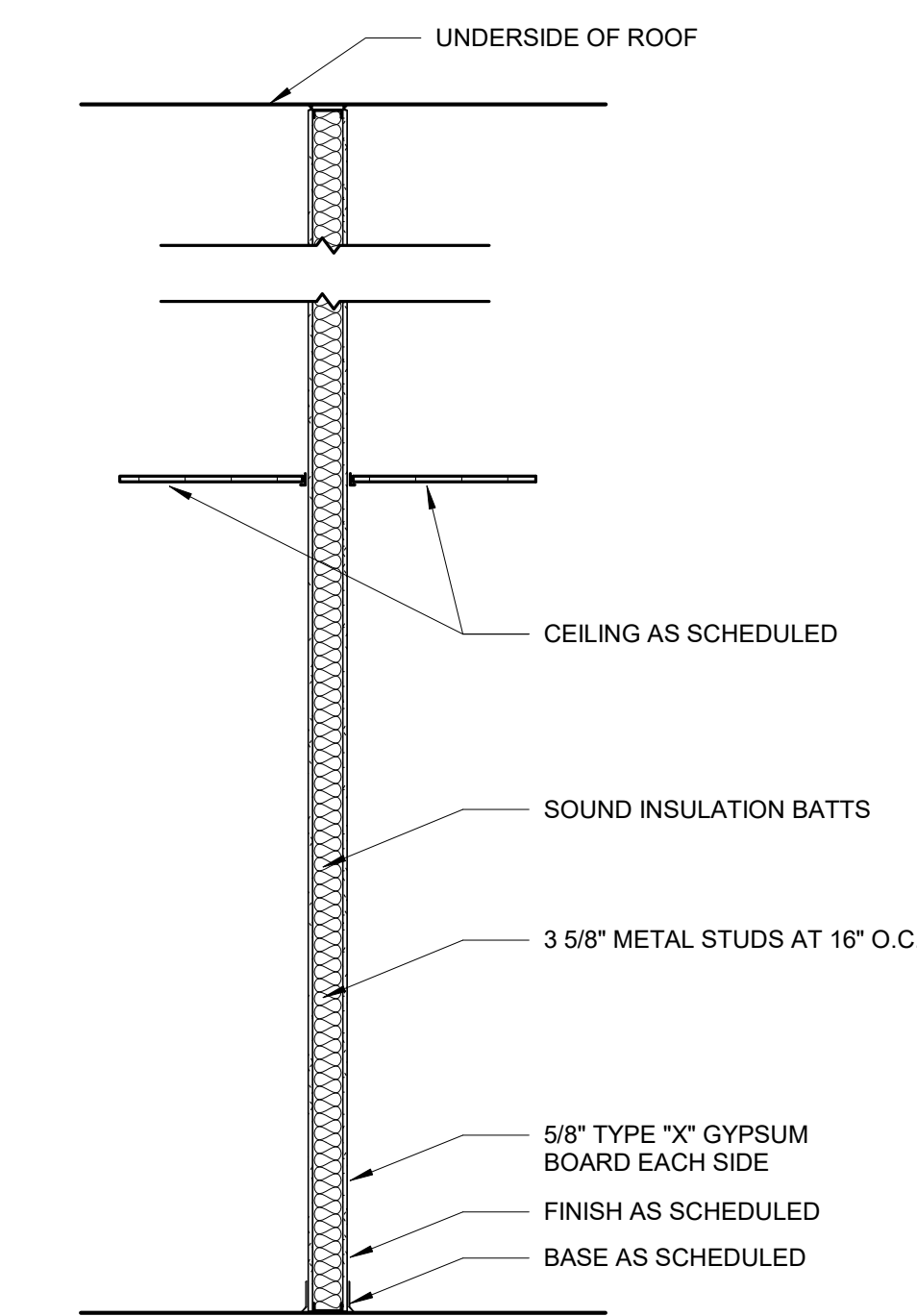
RCP LEGEND

	2x4 SUSPENDED ACOUSTICAL CEILING		RECESSED DIRECTIONAL LIGHT FIXTURE
	SUSPENDED GYPSUM BOARD CEILING / FURRDOWN		VANITY LIGHT FIXTURE
	2x4 LIGHT FIXTURE		CEILING FAN
	6" RECESSED LIGHT FIXTURE		

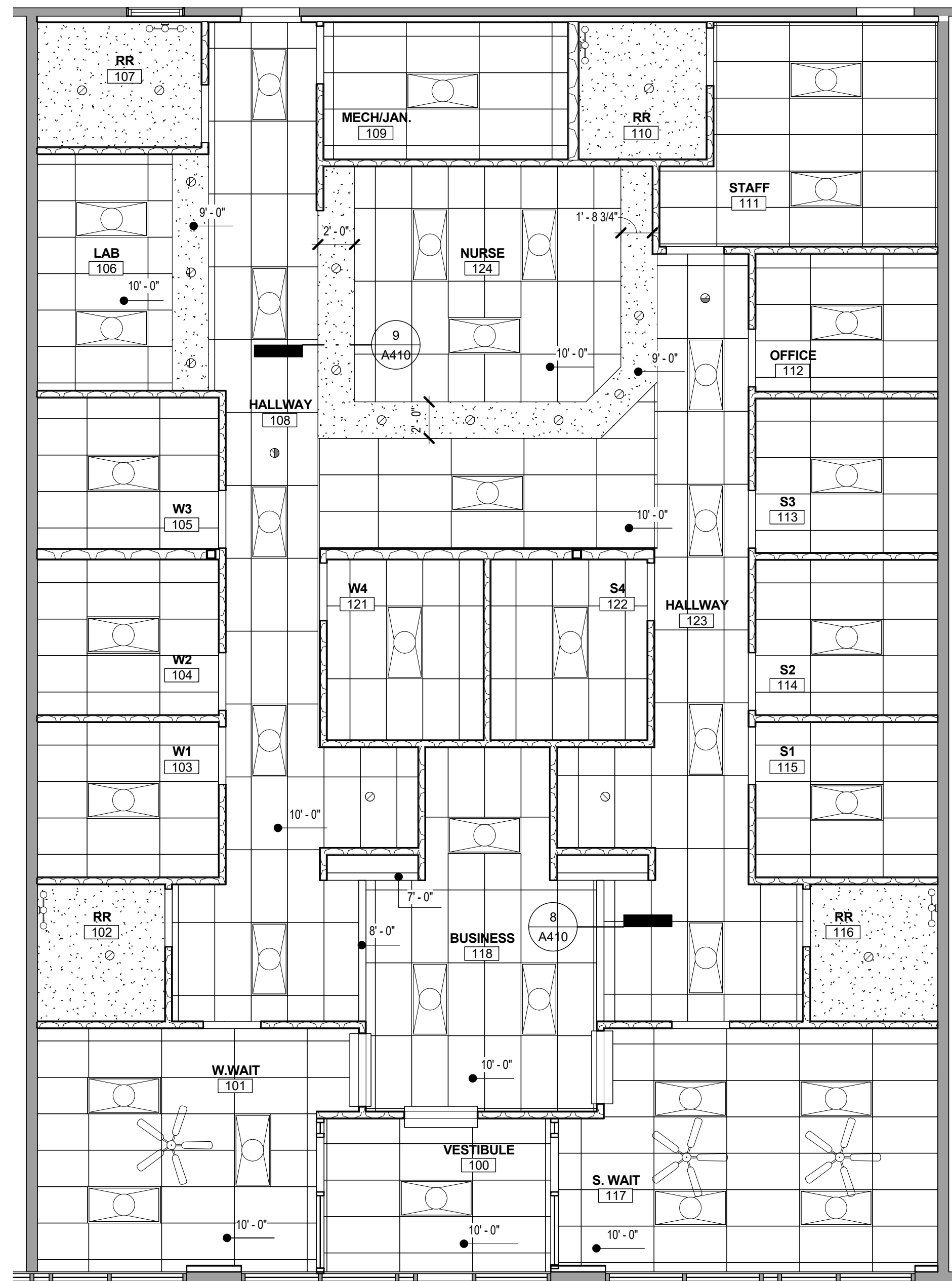
NOTE: CEILINGS TO BE 9'-0" AFF U.N.O.



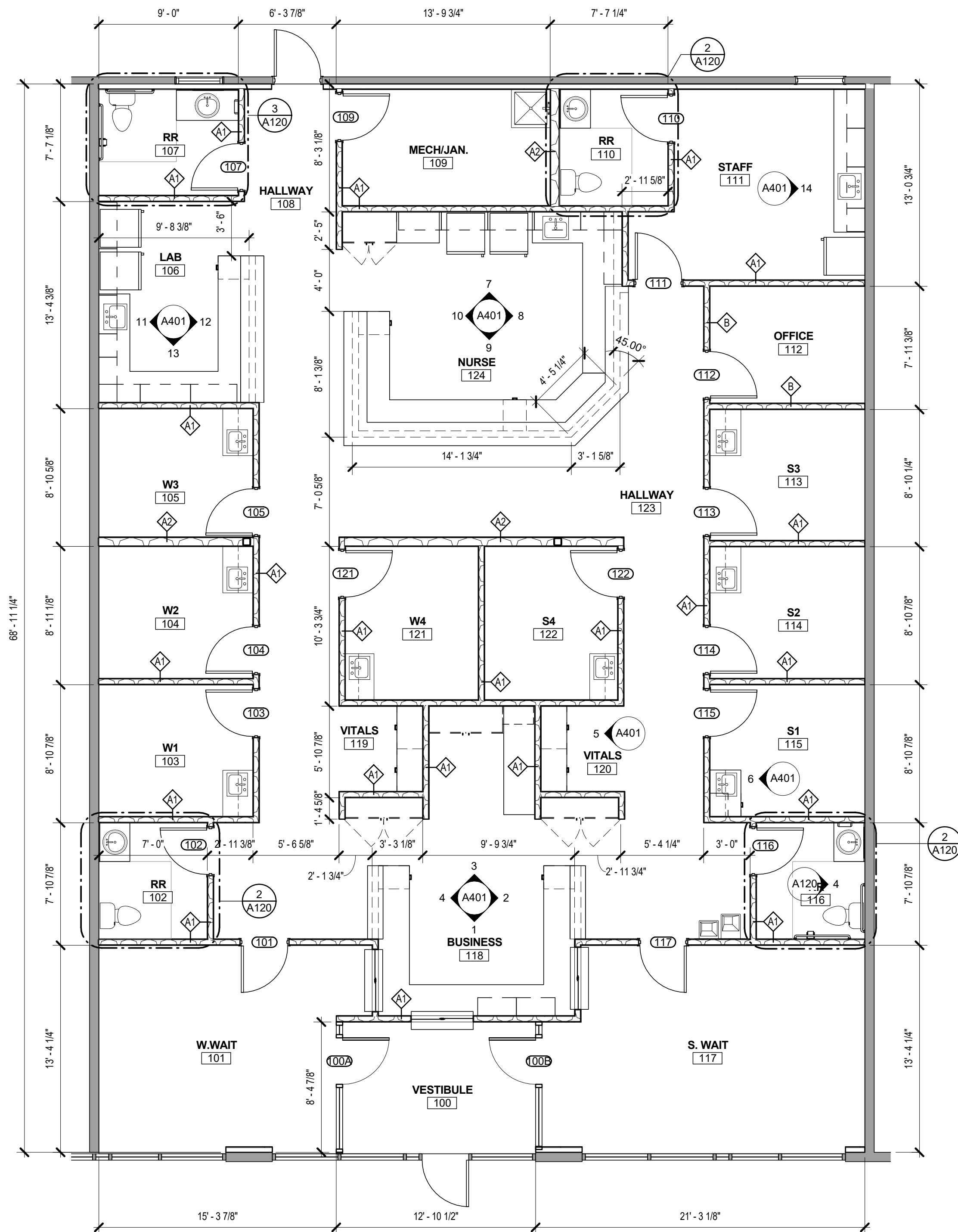
- PARTITION TYPE**
- A** NO RATING
SCALE: 1/2" - 1'-0"
 - A1** 3 5/8" MTL. STUD w/ SOUND INSULATION BATTS
SCALE: 1/2" - 1'-0"
 - A2** 6" MTL. STUD w/ SOUND INSULATION BATTS
SCALE: 1/2" - 1'-0"



- PARTITION TYPE**
- B** NO RATING
SCALE: 1/2" - 1'-0"



2 REFLECTED CEILING PLAN
SCALE: 3/16" = 1'-0"



1 FLOOR PLAN
SCALE: 3/16" = 1'-0"

WALL LEGEND

	NEW WALL / PARTITION
	EXISTING WALL / PARTITION