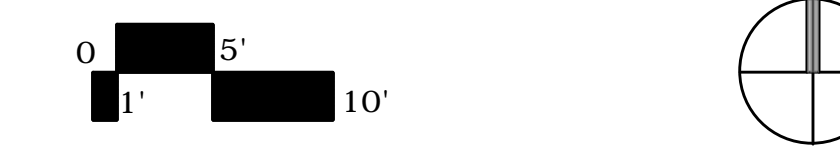
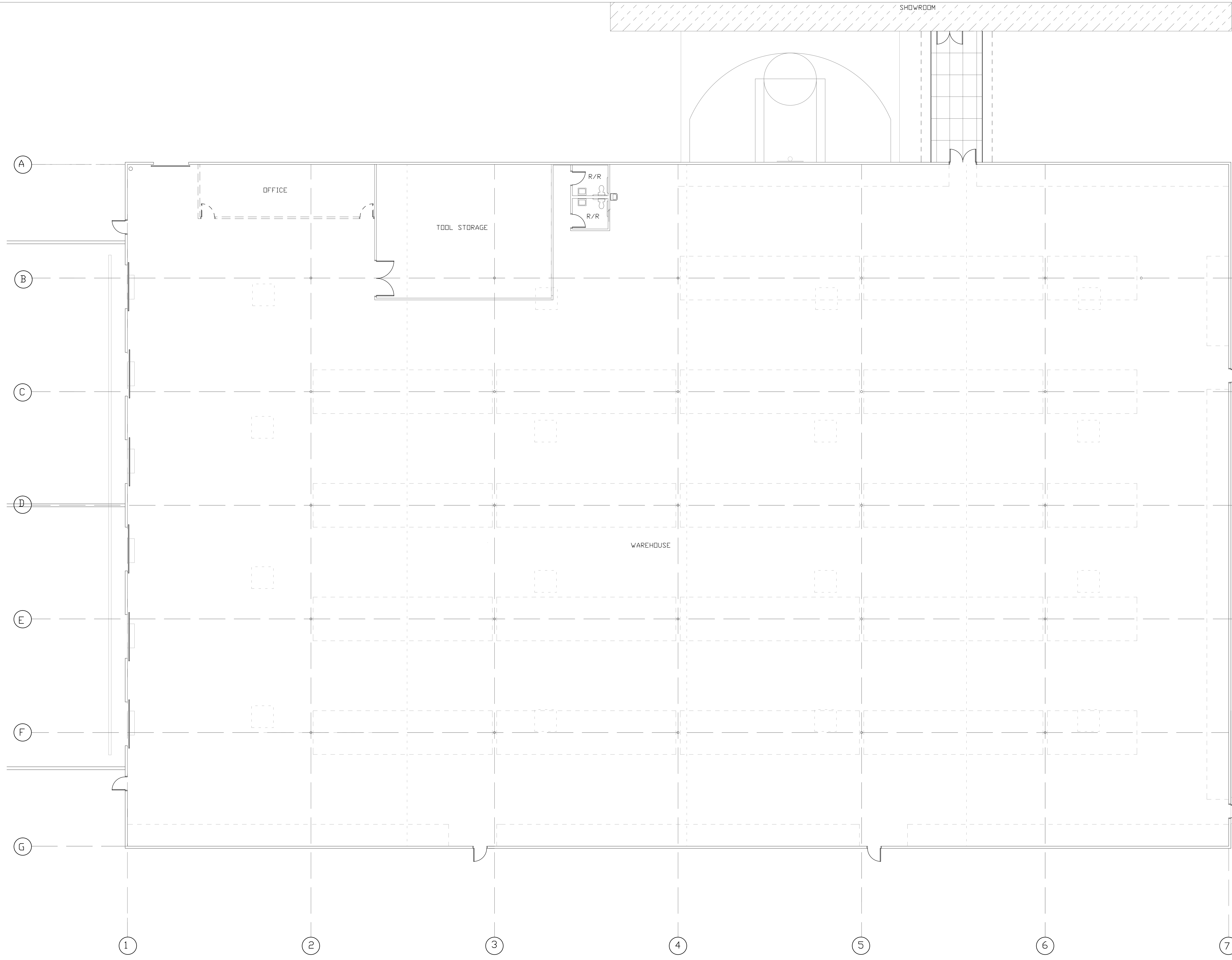


SECOND FLOOR PLAN





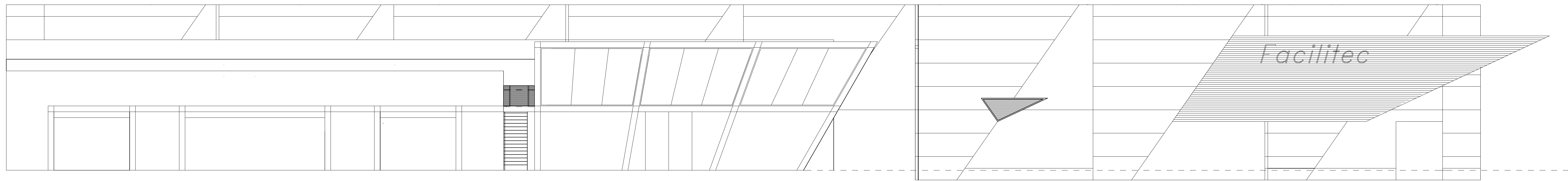
architecture
BALDINGER STUDIO
 1524 east caroline lane • tempe, arizona 85284
 p 480.777.7528 f 480.830.7748 www.baldinger-studio.com

Facilitec

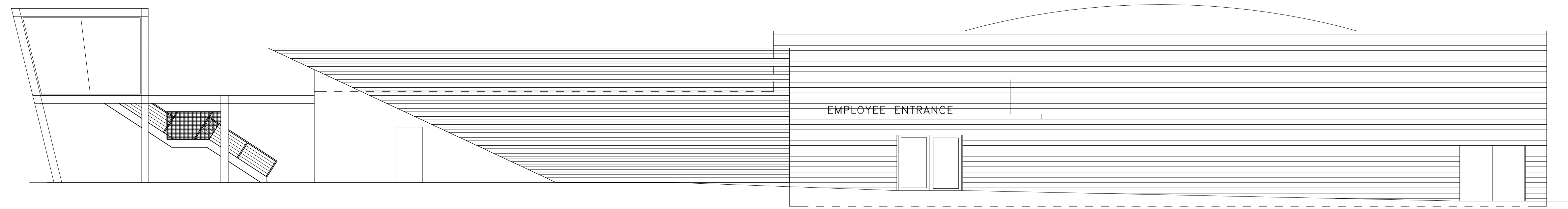
PROJECT NUMBER: 15-016
 DATE: 04.30.2015

warehouse floor plan

a2.1



NORTH ELEVATION



WEST ELEVATION



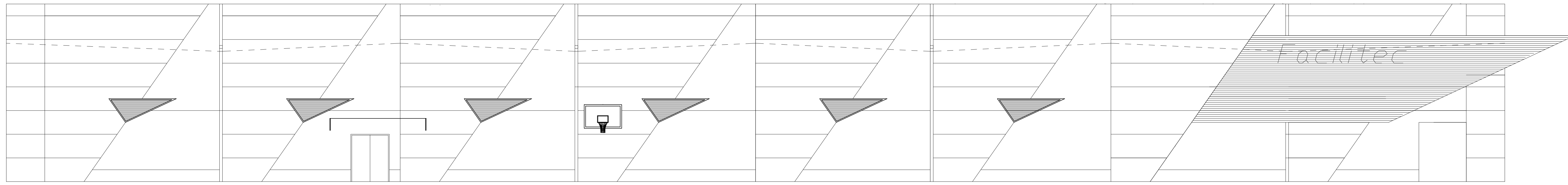
EAST ELEVATION

architecture
BALDINGER STUDIO
 1524 east caroline lane • tempe, arizona 85284
 p 480.777.7523 f 480.830.7748 www.baldinger-studio.com

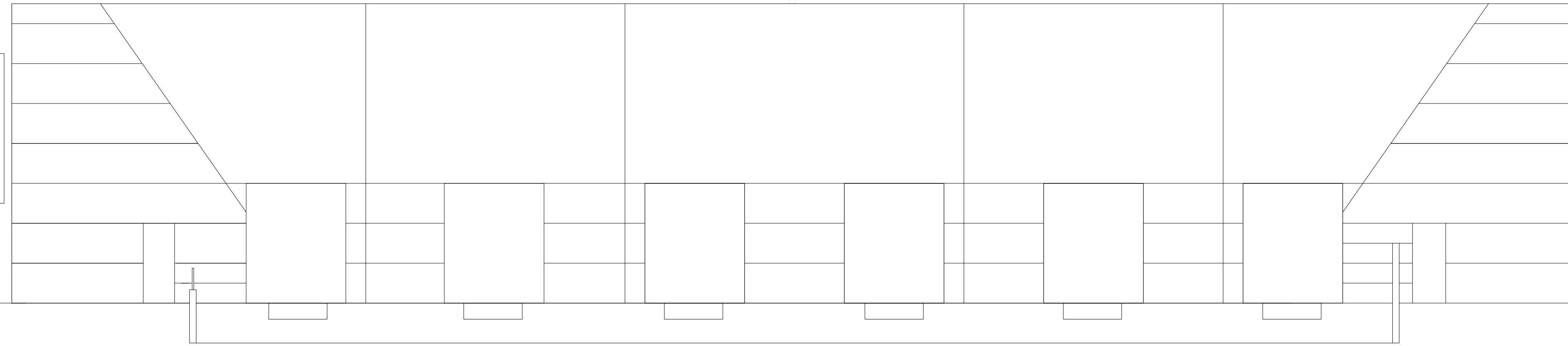
Facilitec

PROJECT NUMBER: 15-016
 DATE: 04.30.2015

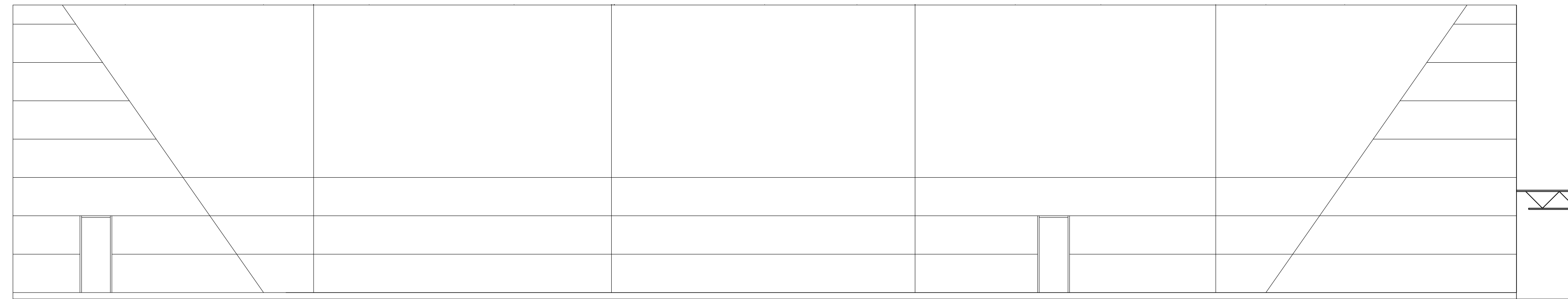
building elevations
a3.0



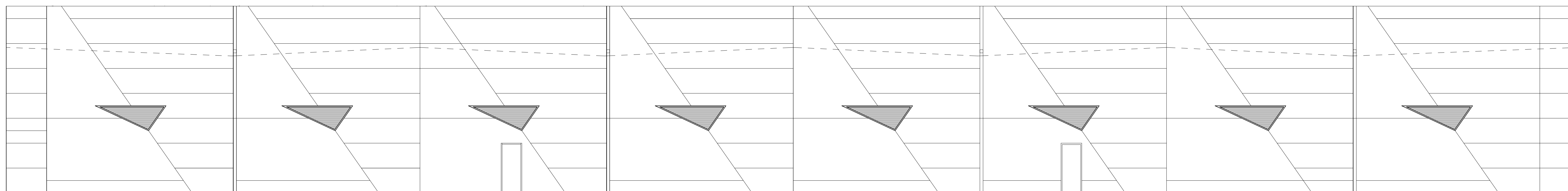
NORTH WAREHOUSE
ELEVATION



WEST ELEVATION



EAST ELEVATION



SOUTH ELEVATION