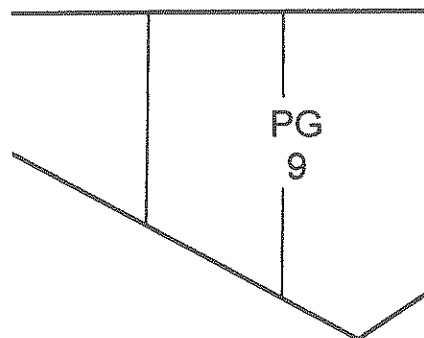


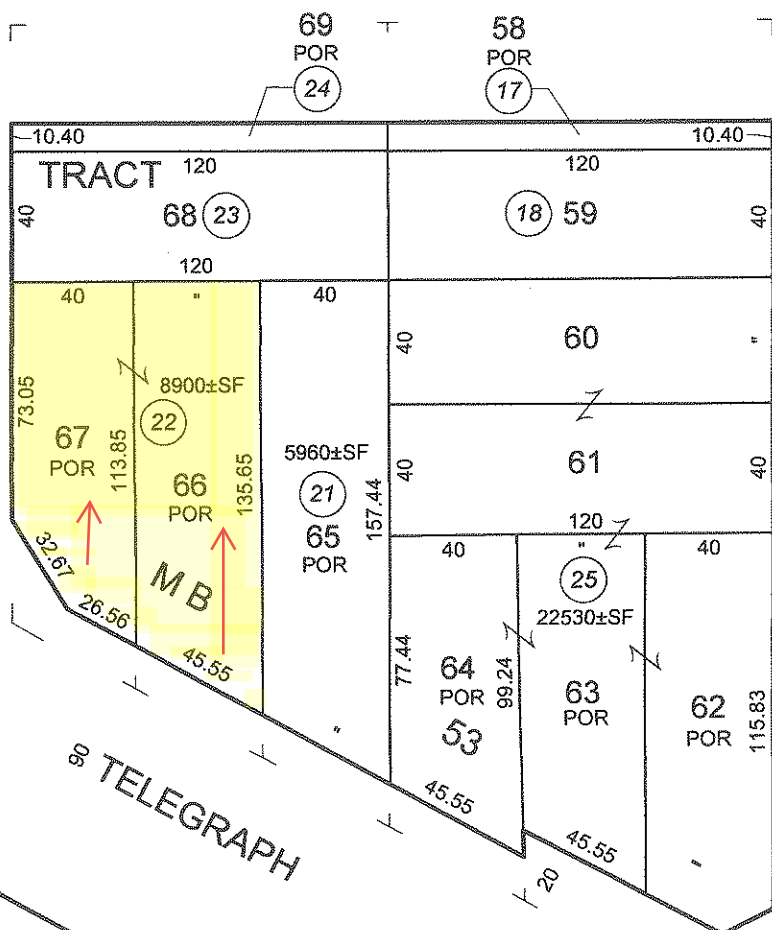
2015



MAPPING AND GIS SERVICES SCALE 1" = 60'



MARIANNA AVE 50



8 TELEGRAPH

SANTA ANA

CF 1481

CF 1572

FM 20071-2

RTE 5

BK 5241

PG 11

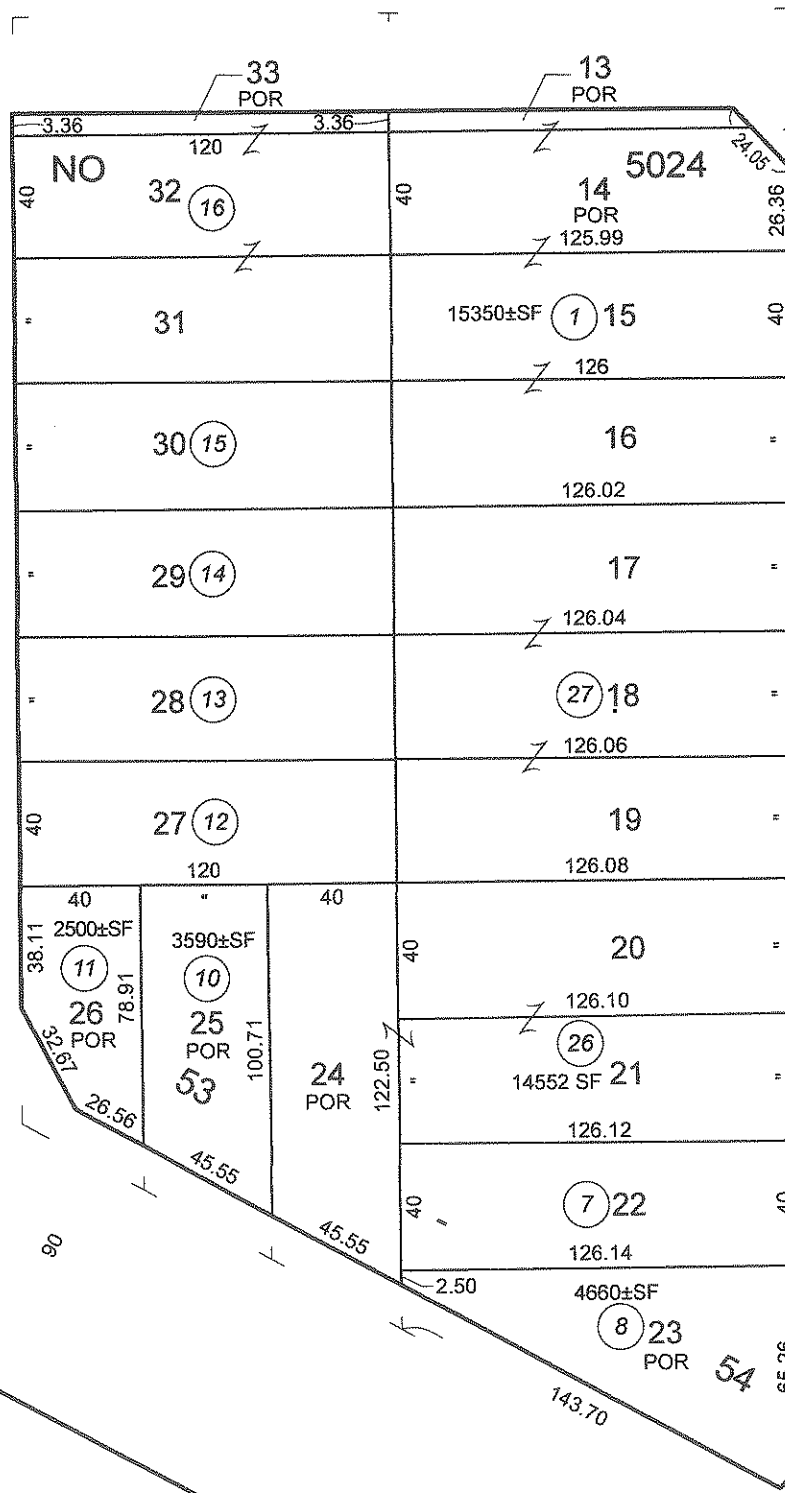
CF 1464

100 OLYMPIC

BLVD 100

AVE 50

WILKINS AVE 50



AVE 74

EASTERN 74

FRWY

RTE 710

MM 192

LONG BEACH

BK 5246