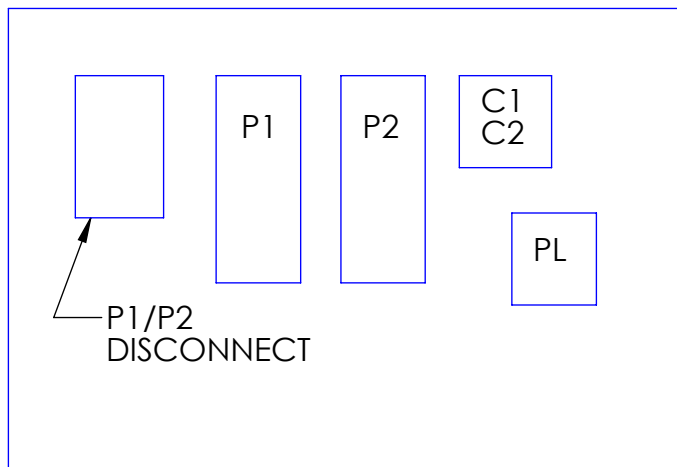
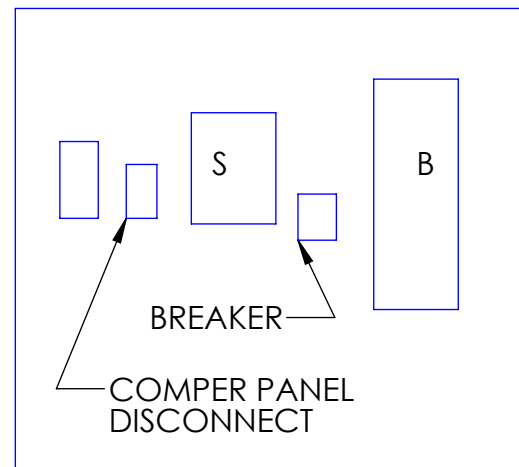


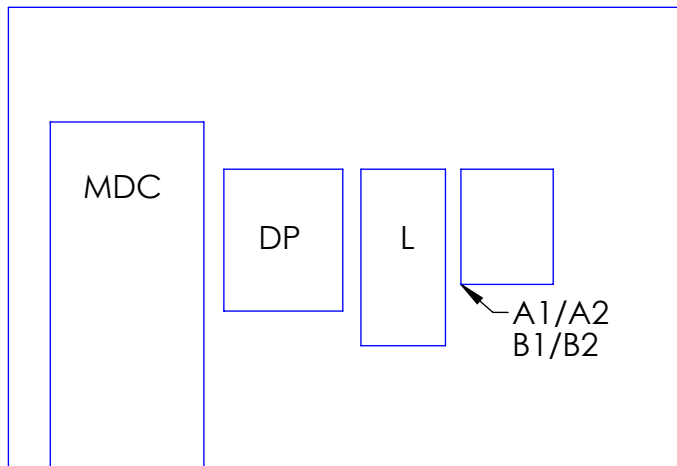
### RIGHT WALL



### OFFICE WALL



### LEFT WALL



ALL POWER UNITS SHOULD BE VERIFIED  
PRIOR TO ANY RENOVATION OR CONSTRUCTION

3225 I-70 B	PRINT 3 OF 3 ELECTRICAL LAYOUT
6/20/2021	DRAWN BY: TUCKER SUPLIZIO