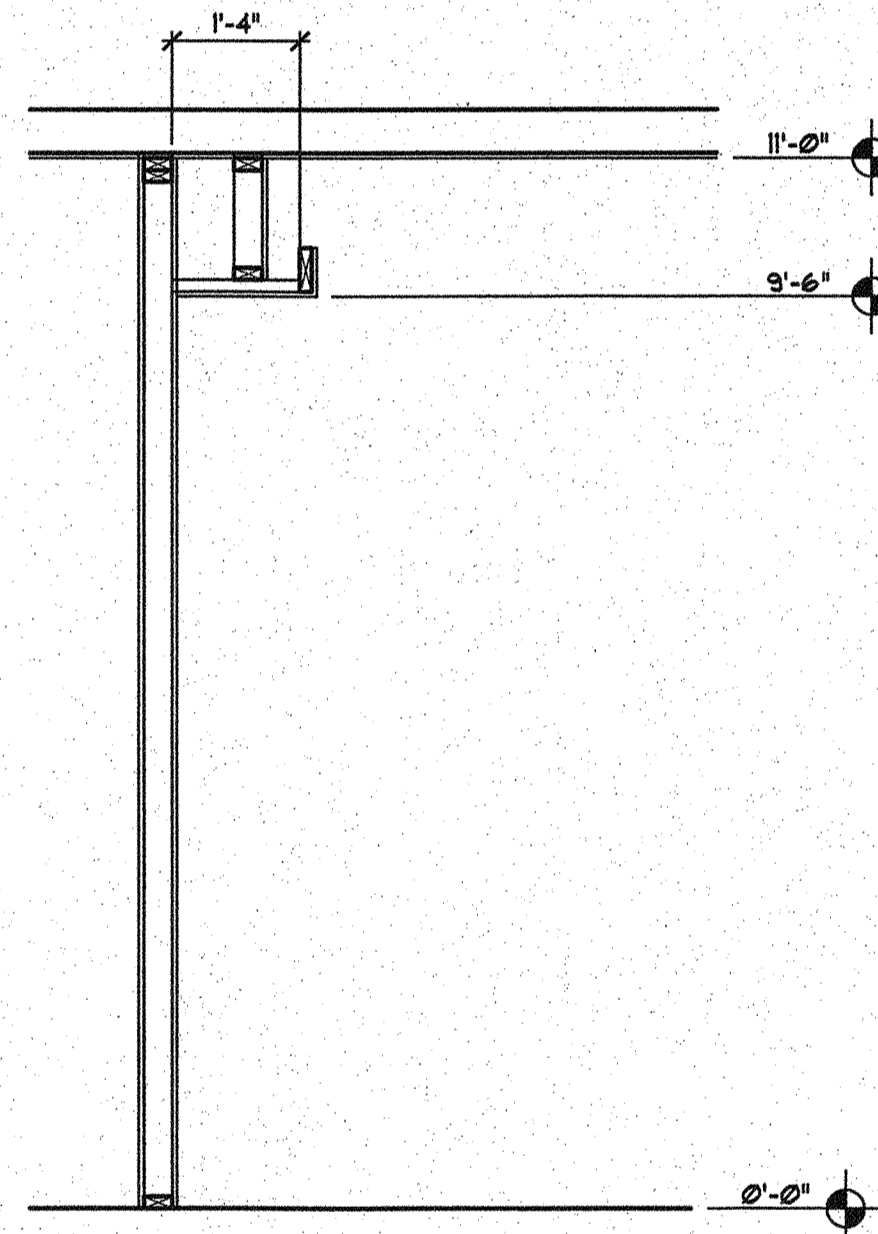
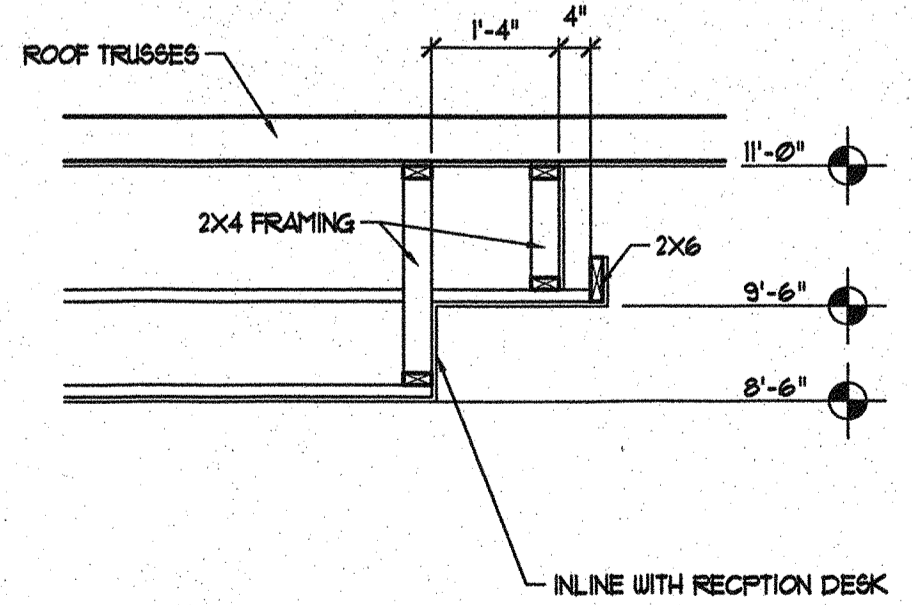


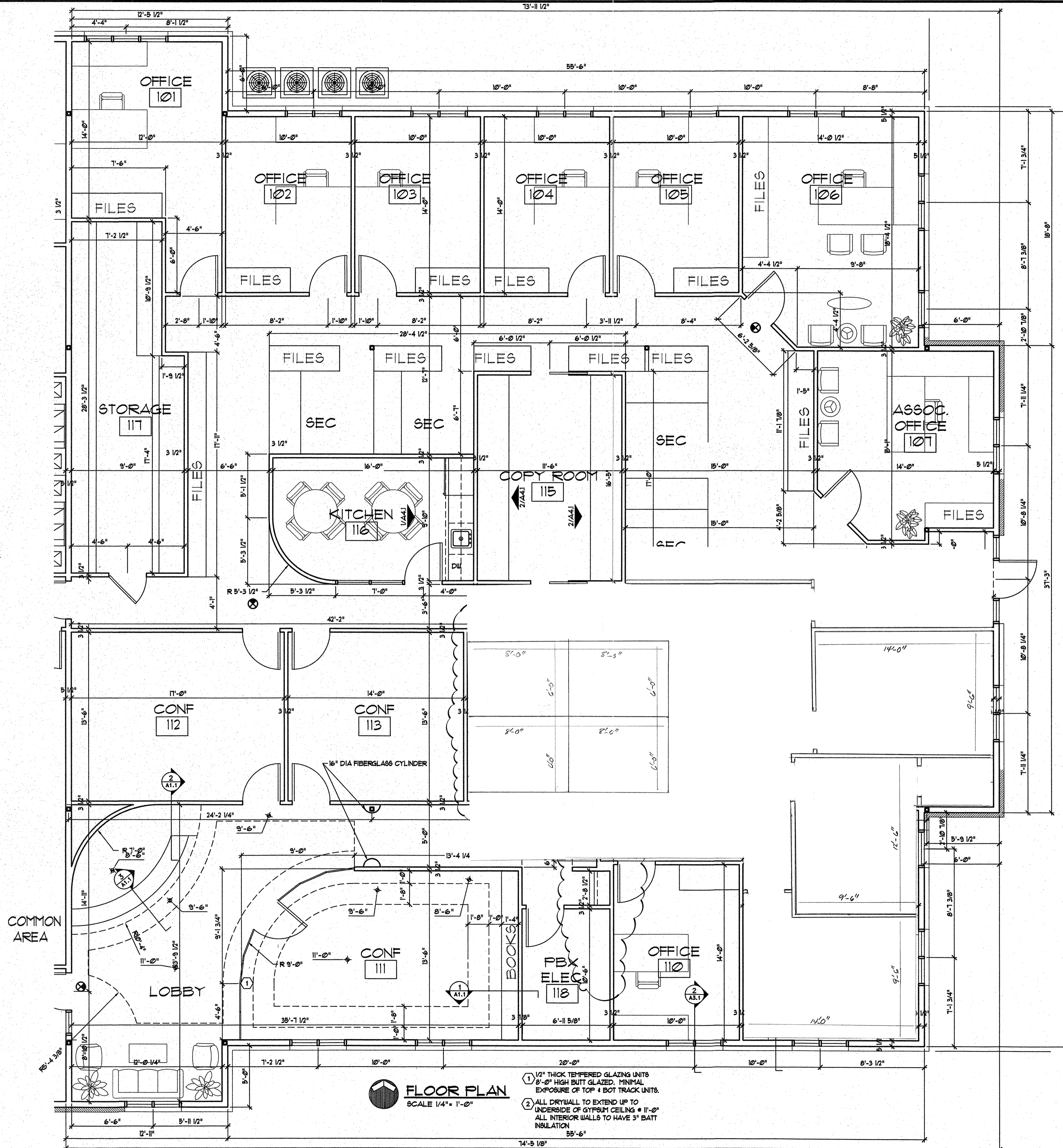
**1 WALL SECTION**  
SCALE: 1/2" = 1'-0" CONFERENCE RM



**2 WALL SECTION**  
SCALE: 1/2" = 1'-0" LOBBY



**3 WALL SECTION**  
SCALE: 1/2" = 1'-0" RECEPTION BULKHEAD



**FLOOR PLAN**  
SCALE 1/4" = 1'-0"

- ① 1/2" THICK TEMPERED GLAZING UNITS  
8'-0" HIGH BUTT GLAZED. MINIMAL  
EXPOSURE OF TOP & BOT TRACK UNITS.
- ② ALL DRYWALL TO EXTEND UP TO  
UNDERSIDE OF GYPSUM CEILING • 11'-0"  
ALL INTERIOR WALLS TO HAVE 3" BATT  
INSULATION