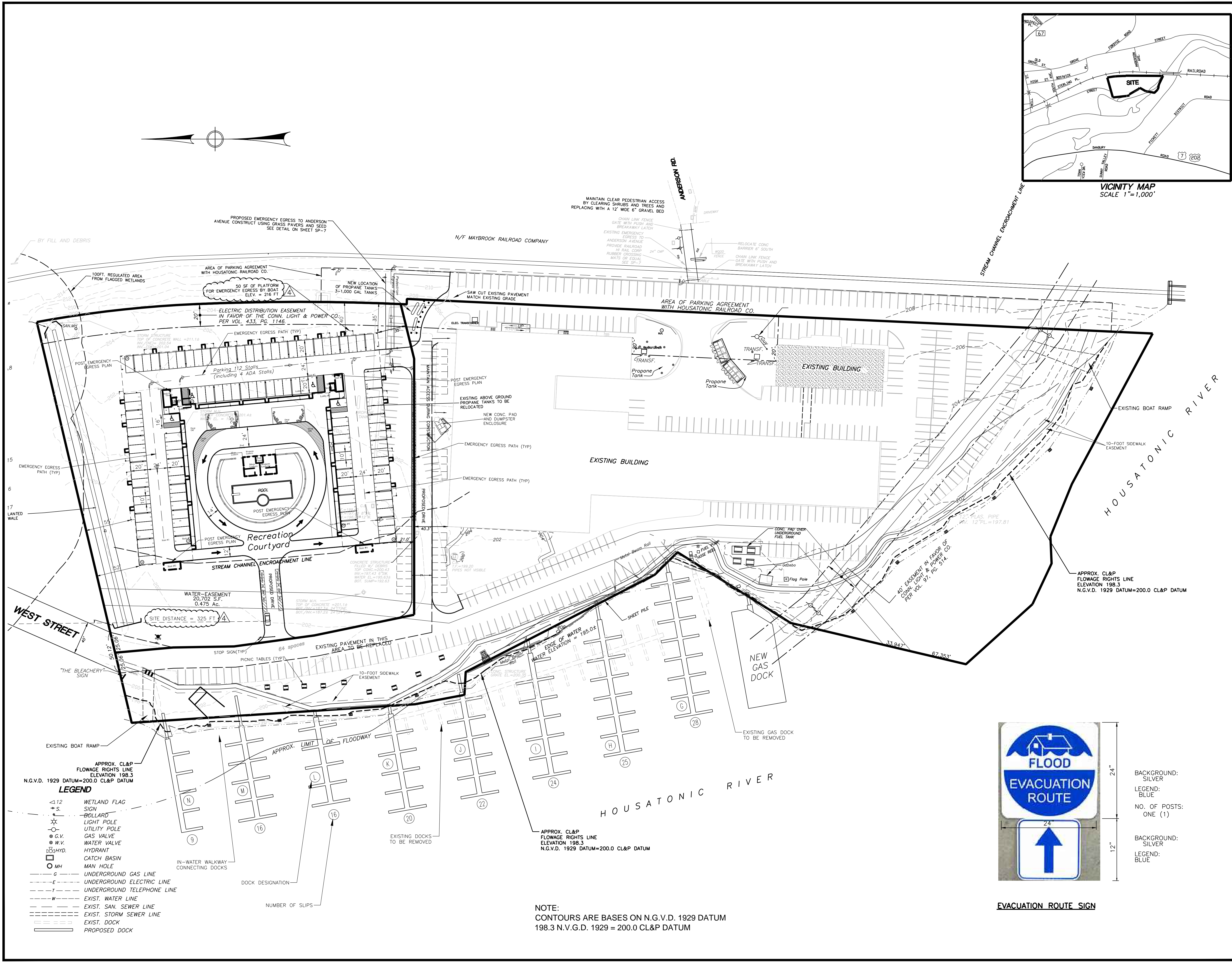


VICINITY MAP
 SCALE 1"=1,000'



REVISIONS				
NO.	BY	DATE	REVISIONS	DESCRIPTION
1.	MJS	05-27-10	ISSUED TO P&Z	
2.	MJS	08-01-11	STAFF COMMENTS	
3.	MJS	10-12-11	ENGINEERING COMMENTS	
4.	MJS	10-10-13	CONDITIONS OF APPROVAL & REVISED BUILDING	
5.	MJS	6-20-14	REVISED PER BUILDING	
6.	MJS	7-31-14	REVISED GARAGE SPACES	
7.	MJS	10-23-14	PER ENGINEERING COMMENTS	
8.	SFS	7-6-15	SUBMITTAL	

PROJECT TITLE

The Bleachery

143 WEST STREET
 NEW MILFORD, CT

Prepared For:
 Company
 TRUST REALTY CORP.

SHEET TITLE

DOCK PLAN ALT A

DESIGNED BY: MJS	SCALE: 1" = 50'
DRAWN BY: MJS	DATE: 11-05-09
CHECKED BY: PMR	PROJECT NUMBER: 1003
CAD FILE: 1003	

SEAL

SHEET NUMBER

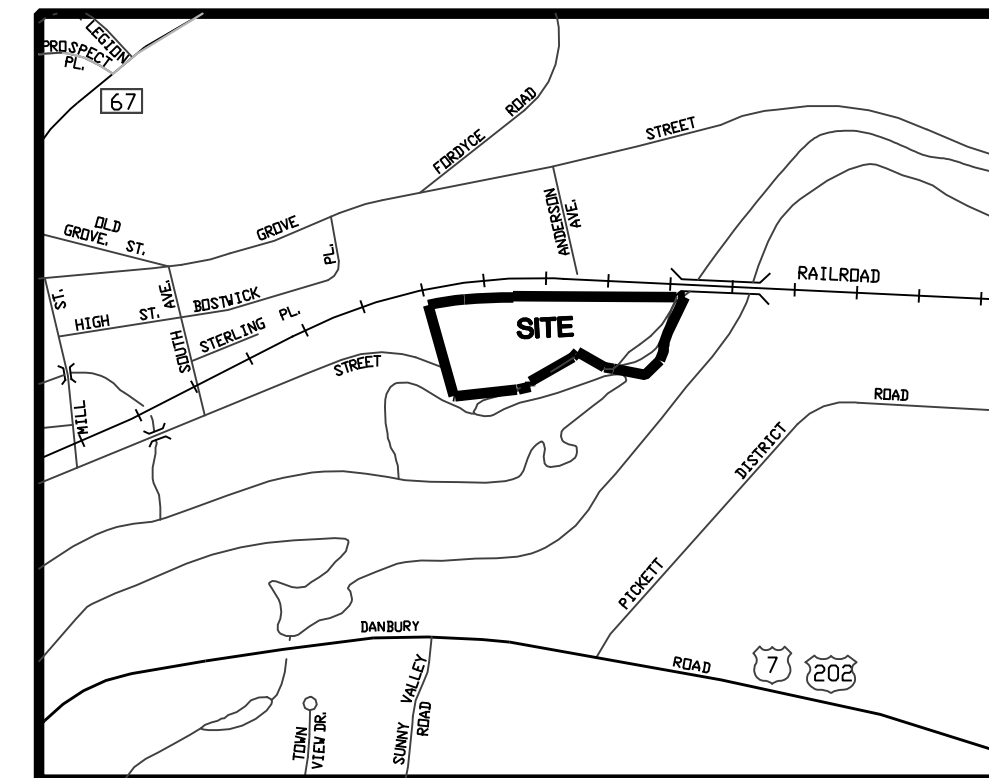
SP-0



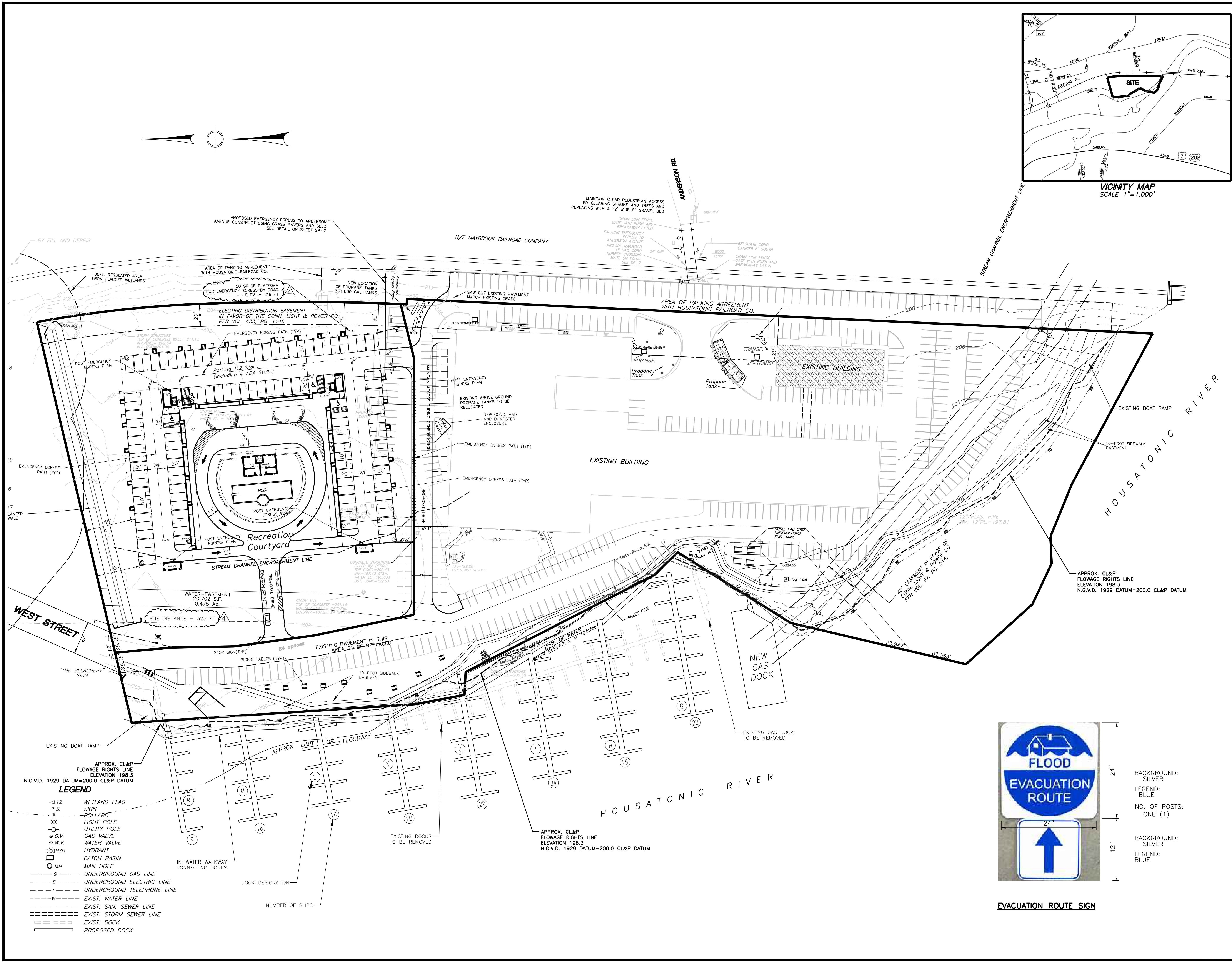
EVACUATION ROUTE SIGN

BACKGROUND: SILVER
 LEGEND: BLUE
 NO. OF POSTS: ONE (1)
 BACKGROUND: SILVER
 LEGEND: BLUE

NOTE:
 CONTOURS ARE BASES ON N.G.V.D. 1929 DATUM
 198.3 N.V.G.D. 1929 = 200.0 CL&P DATUM



VICINITY MAP
SCALE 1"=1,000'



REVISIONS				
NO.	BY	DATE	REVISIONS	DESCRIPTION
1.	MJS	05-27-10	ISSUED TO P&Z	
2.	MJS	08-01-11	STAFF COMMENTS	
3.	MJS	10-12-11	ENGINEERING COMMENTS	
4.	MJS	10-10-13	CONDITIONS OF APPROVAL & REVISED BUILDING	
5.	MJS	6-20-14	REVISED PER BUILDING	
6.	MJS	7-31-14	REVISED GARAGE SPACES	
7.	MJS	10-23-14	PER ENGINEERING COMMENTS	
8.	SFS	7-6-15	SUBMITTAL	

PROJECT TITLE

The Bleachery

143 WEST STREET
NEW MILFORD, CT

Prepared For:
Company
TRUST REALTY CORP.

SHEET TITLE	
DOCK PLAN B	
DESIGNED BY: MJS	SCALE: 1" = 50'
DRAWN BY: MJS	DATE: 11-05-09
CHECKED BY: PMR	PROJECT NUMBER: 1003
CAD FILE: 1003	

SEAL

SHEET NUMBER

SP-1

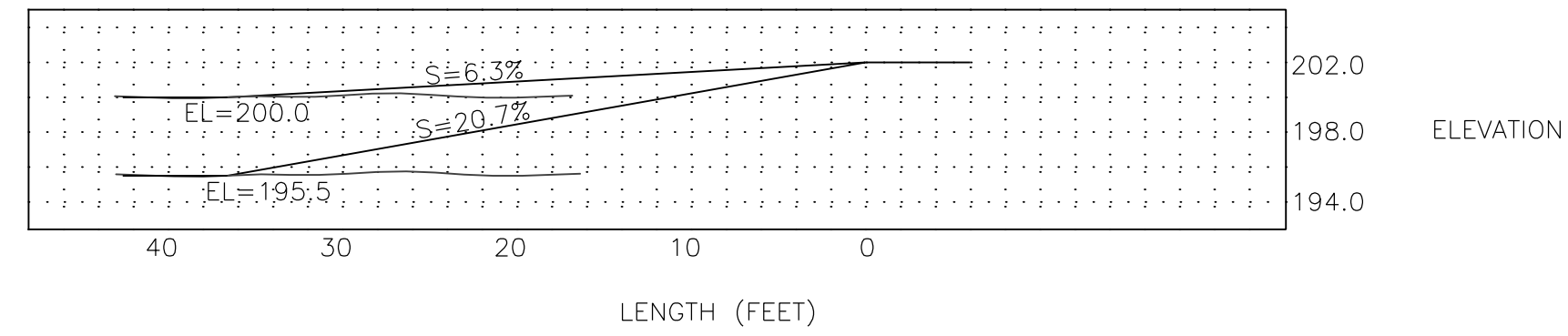


EVACUATION ROUTE SIGN

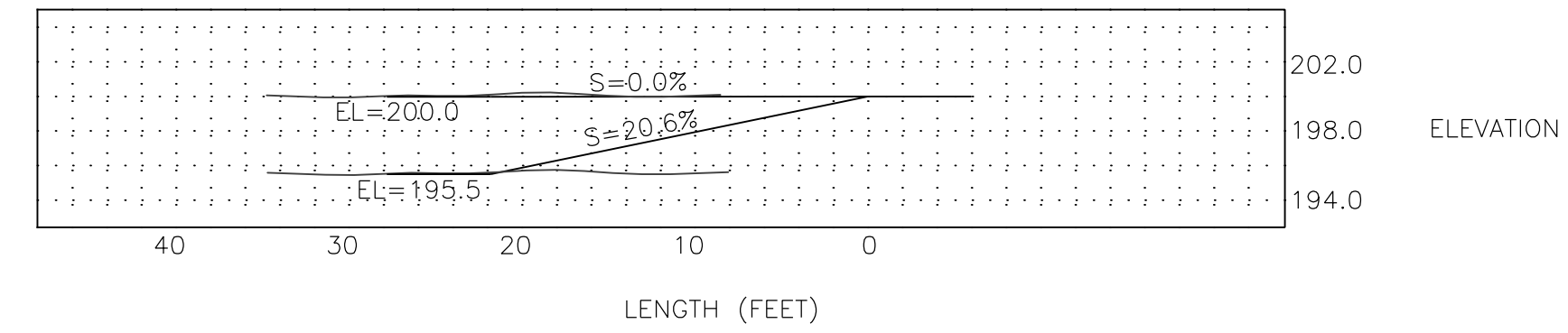
BACKGROUND: SILVER
LEGEND: BLUE
NO. OF POSTS: ONE (1)
BACKGROUND: SILVER
LEGEND: BLUE

- APPROX. CL&P FLOWAGE RIGHTS LINE ELEVATION 198.3 N.G.V.D. 1929 DATUM=200.0 CL&P DATUM
- LEGEND**
- 12 WETLAND FLAG SIGN
 - S BOLLARD
 - LIGHT POLE
 - UTILITY POLE
 - G.V. GAS VALVE
 - W.V. WATER VALVE
 - HYD. HYDRANT
 - CATCH BASIN
 - MH MAN HOLE
 - G UNDERGROUND GAS LINE
 - E UNDERGROUND ELECTRIC LINE
 - T UNDERGROUND TELEPHONE LINE
 - W EXIST. WATER LINE
 - S.S. EXIST. SAN. SEWER LINE
 - S.S.W. EXIST. STORM SEWER LINE
 - D EXIST. DOCK
 - P PROPOSED DOCK

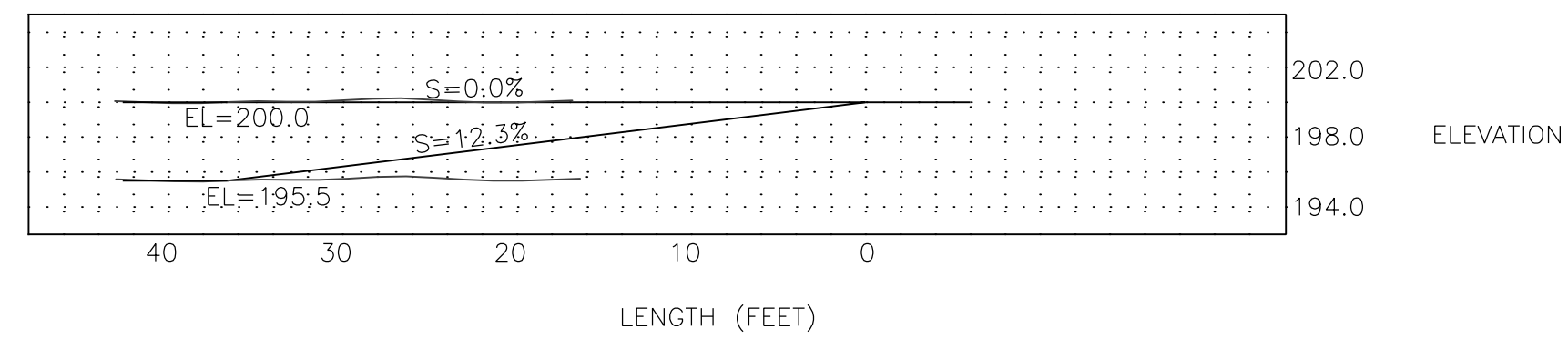
CROSS-SECTION RAMP TO DOCK N



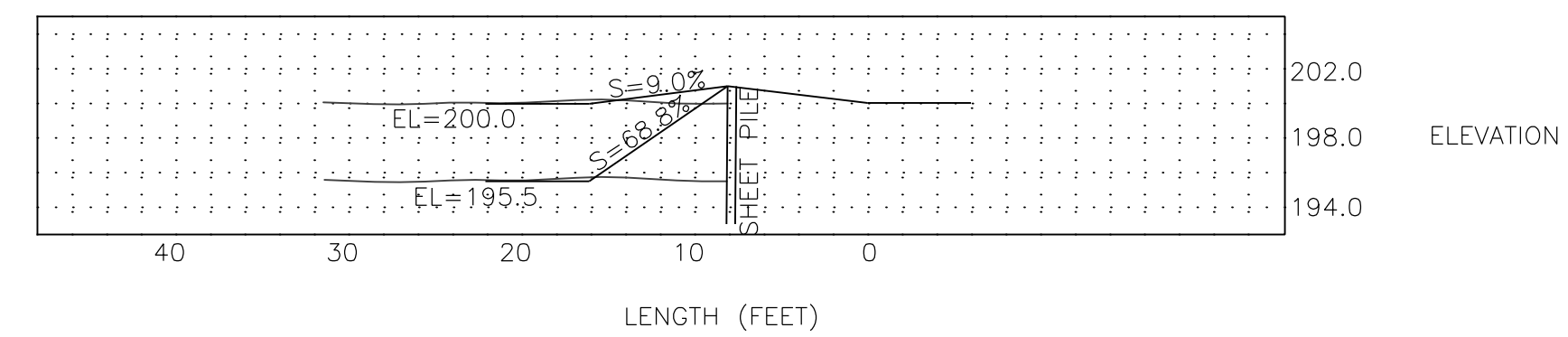
CROSS-SECTION RAMP TO DOCK J



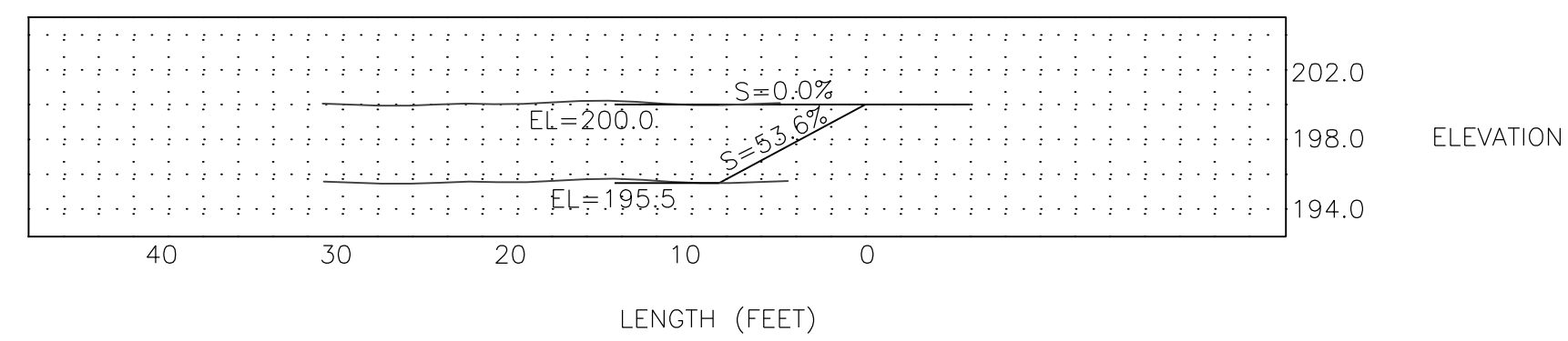
CROSS-SECTION RAMP TO DOCK M



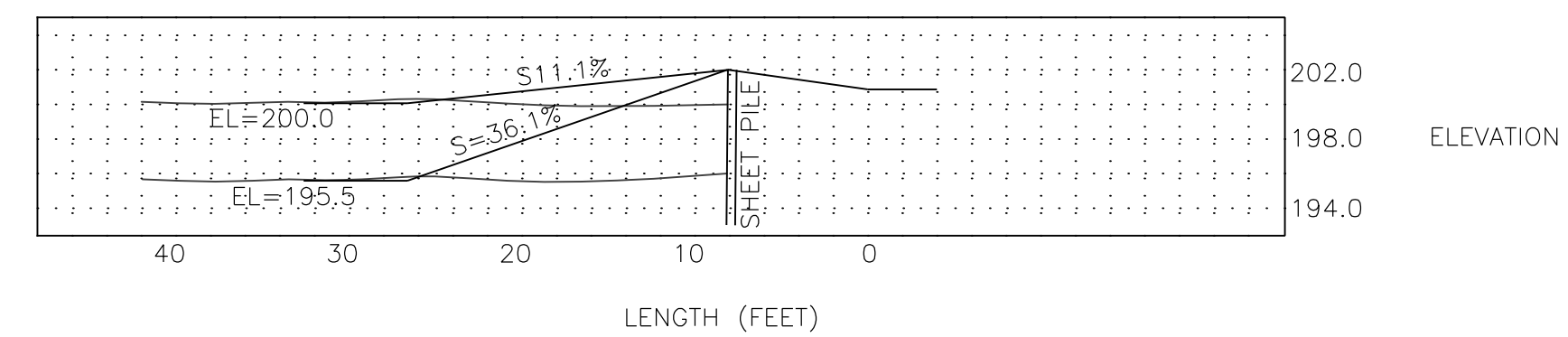
CROSS-SECTION RAMP TO DOCK I



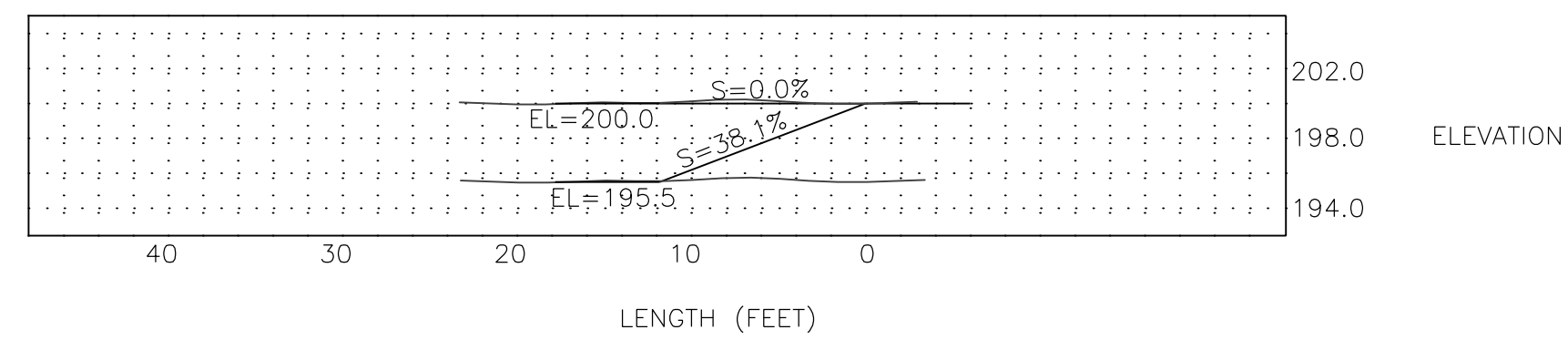
CROSS-SECTION RAMP TO DOCK L



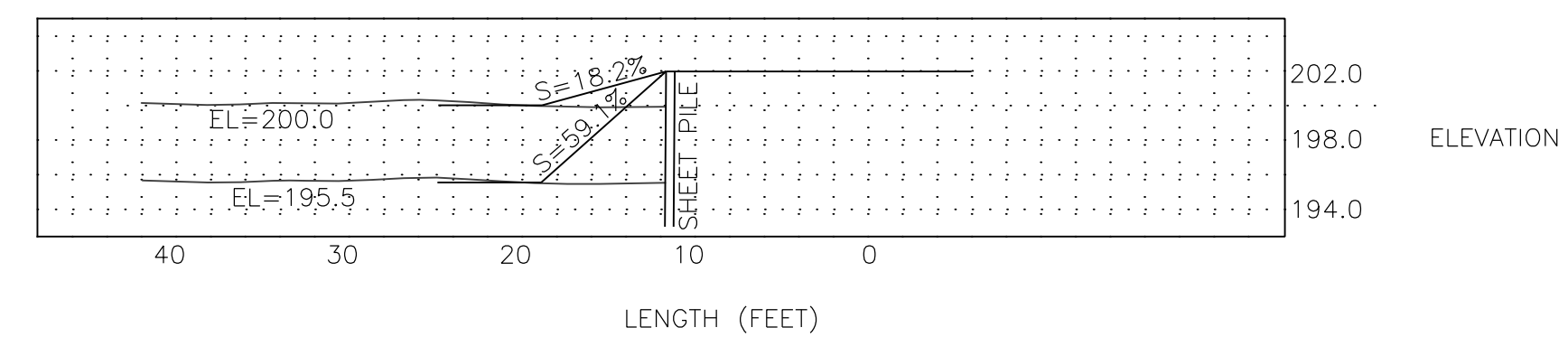
CROSS-SECTION RAMP TO DOCK H



CROSS-SECTION RAMP TO DOCK K



CROSS-SECTION RAMP TO DOCK G



REVISIONS				
NO.	BY	DATE	DESCRIPTION	
1.	MJS	05-27-10	ISSUED TO P&Z	
2.	MJS	08-01-11	STAFF COMMENTS	
3.	MJS	10-12-11	ENGINEERING COMMENTS	
4.	MJS	10-10-13	CONDITIONS OF APPROVAL & REVISED BUILDING	
5.	MJS	6-20-14	REVISED PER BUILDING	
6.	MJS	7-31-14	REVISED GARAGE SPACES	
7.	MJS	10-23-14	PER ENGINEERING COMMENTS	
8.	SFS	7-6-15	SUBMITTAL	

PROJECT TITLE

The Bleachery

143 WEST STREET
NEW MILFORD, CT

Prepared For:

Company
TRUST REALTY CORP.

SHEET TITLE

RAMP CROSS-SECTIONS

DESIGNED BY: MJS	SCALE: 1" = 10'
DRAWN BY: MJS	DATE: 11-05-09
CHECKED BY: PMR	PROJECT NUMBER: 1003
CAD FILE: 1003	

SEAL

SHEET NUMBER

SP-2