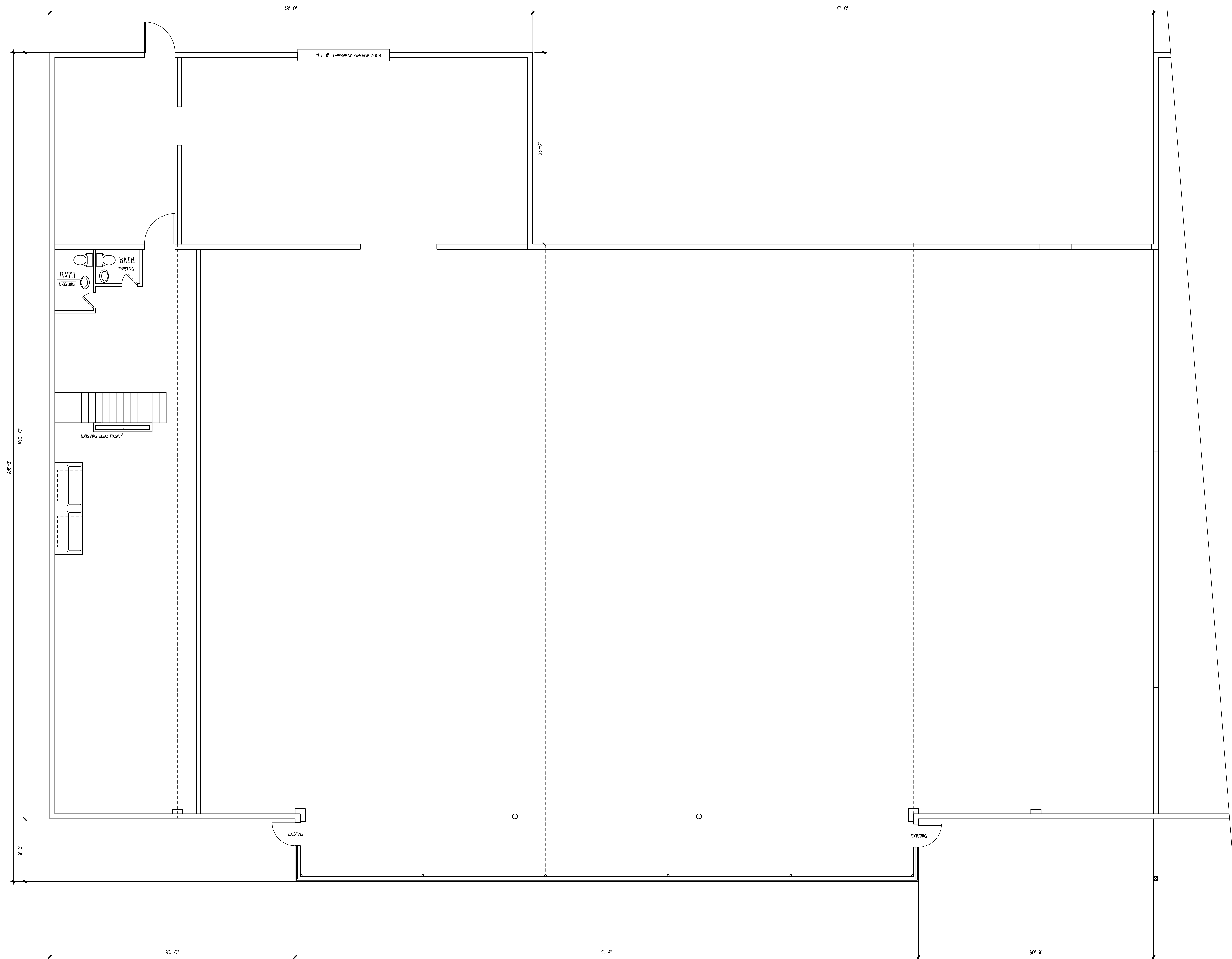


 REGISTERED PROFESSIONAL ENGINEER
 ROBERT E. JOHNSON
 STATE OF WASHINGTON
 20212

FOUNDATION PLAN
 SCALE: 1/4" = 1'-0"

DATE: 08/22/18	PLAN# V6-18257
REVISED	SHEET NUMBER
1	1
2	2
3	3
4	4
5	5
6	6

© COMPANY, 2018. ALL RIGHTS RESERVED.



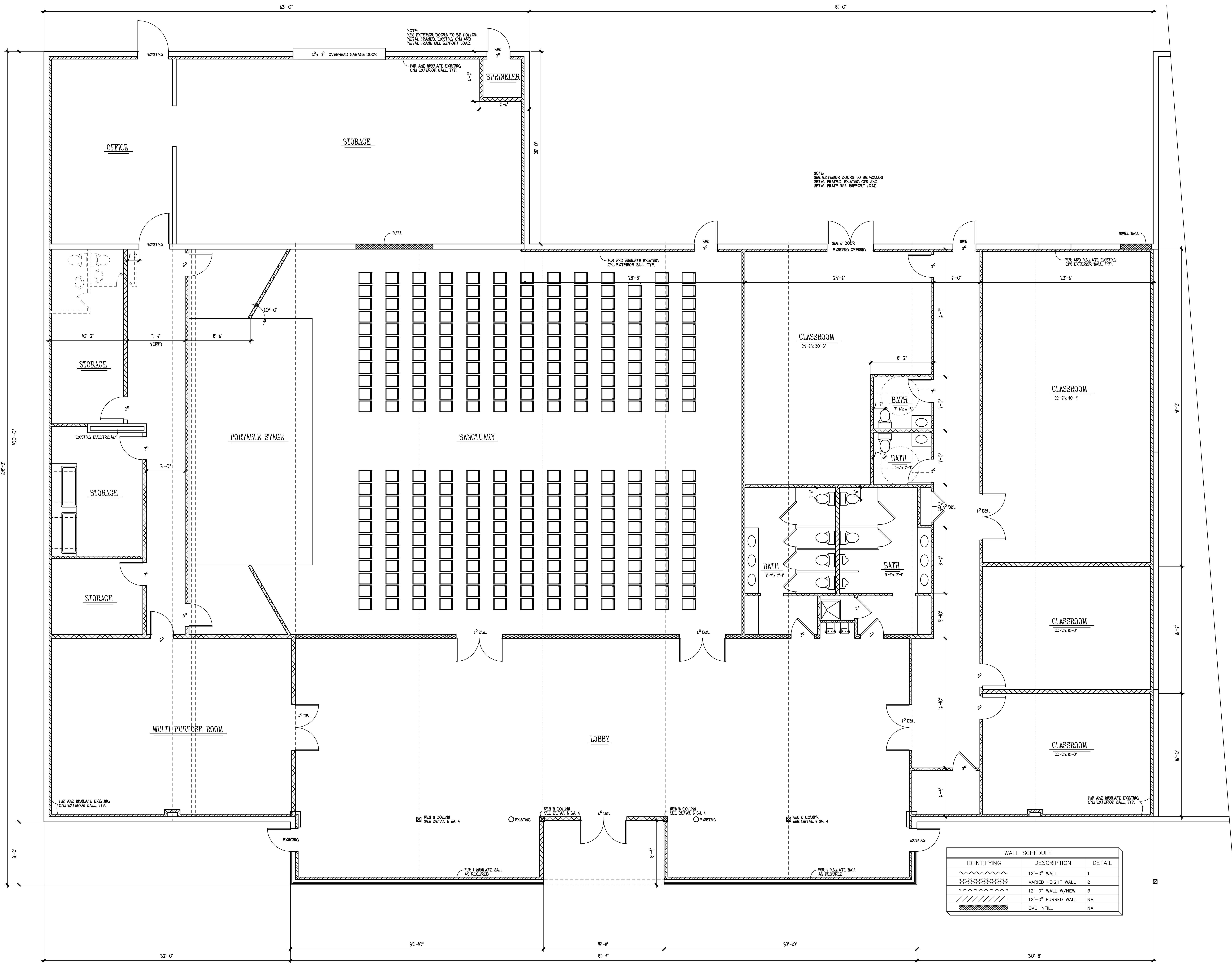
4007 REGISTERED ARCHITECT
Robert E. Johnson
 ROBERT E. JOHNSON
 STATE OF WASHINGTON
 08/22/18

DATE: 08/22/18	PLAN# V8-18257
REVISED	SHEET NUMBER
▲	2 / 6 OF
▲	
▲	
▲	
▲	
▲	

EXISTING MAIN FLOOR PLAN

SCALE: 1/4" = 1'-0"

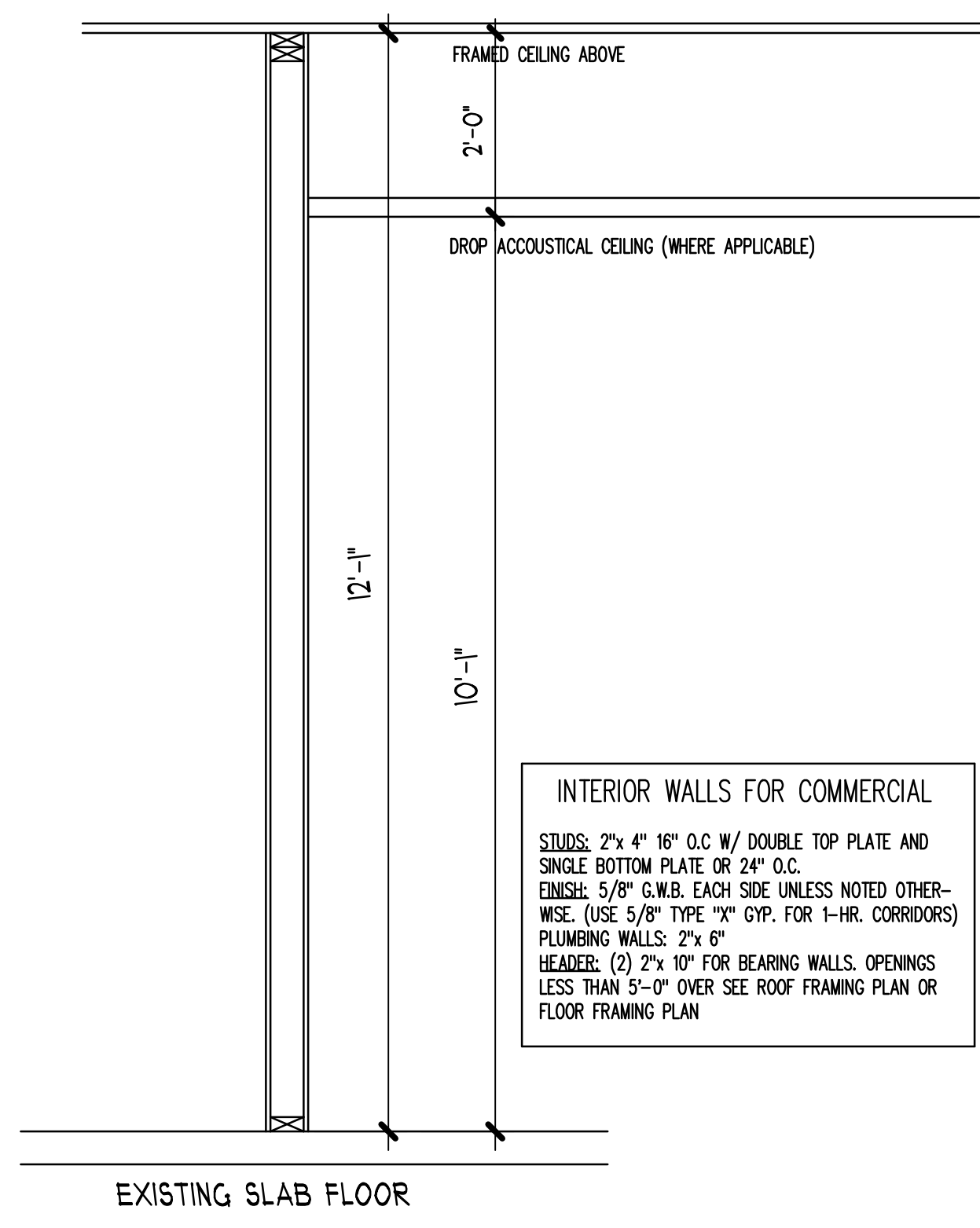
© COMPANY, 2018. ALL RIGHTS RESERVED.



4077
Robert E. Johnson
 REGISTERED ARCHITECT
 ROBERT E. JOHNSON
 STATE OF WASHINGTON
 2/22/18

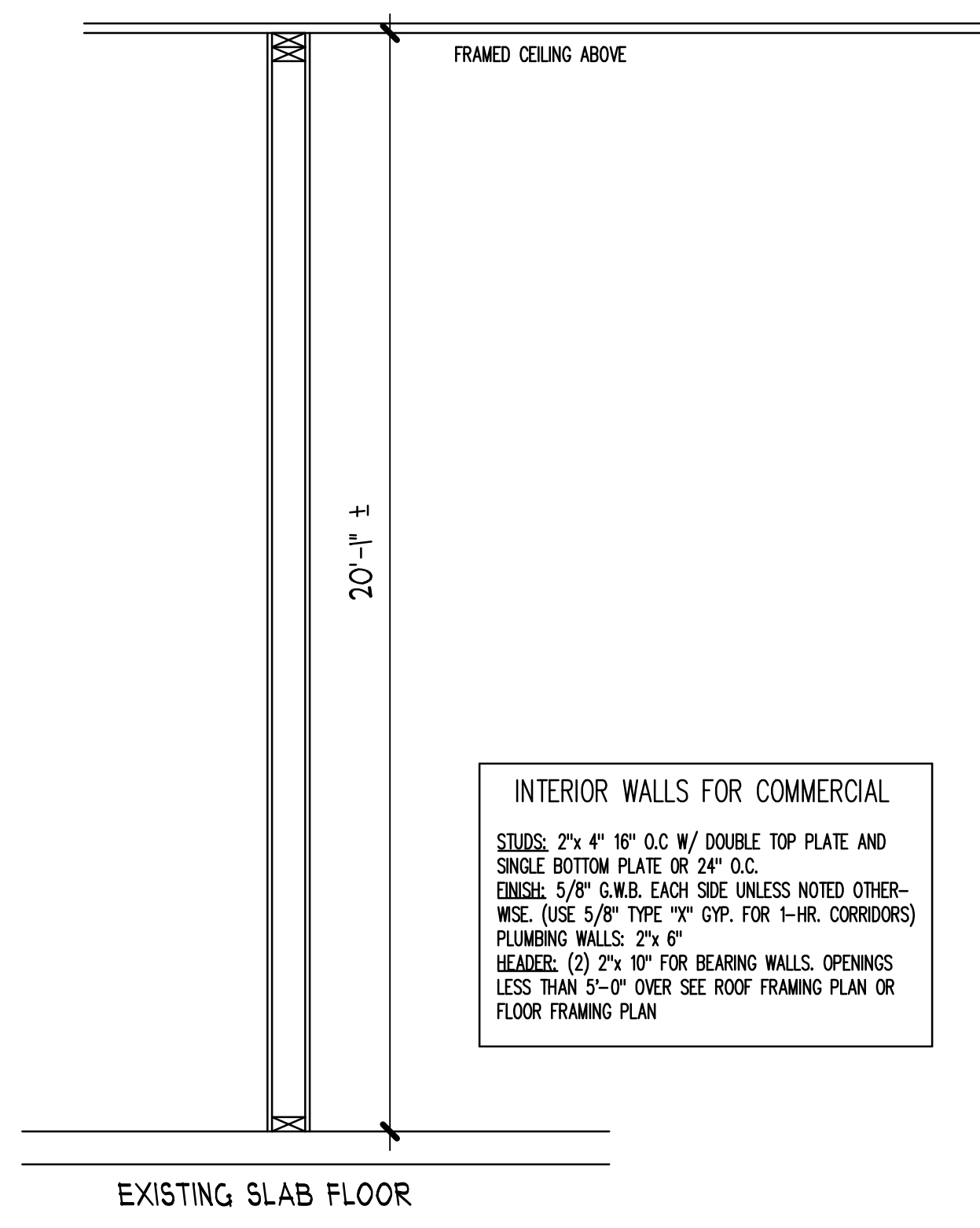
DATE: 08/22/18	PLAN# V6-18257
REVISED	SHEET NUMBER
▲	3 OF 6
▲	
▲	
▲	
▲	

MAIN FLOOR PLAN
 SCALE: 1/4" = 1'-0"



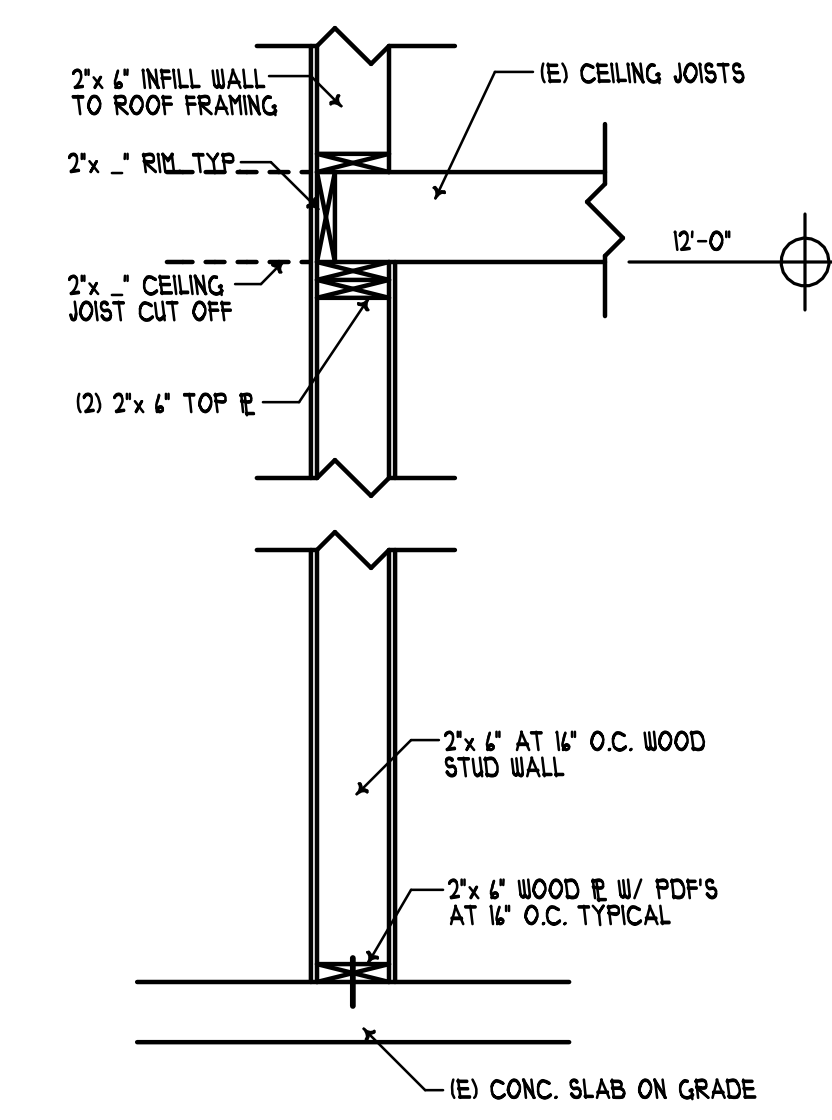
INTERIOR WALLS FOR COMMERCIAL
 STUDS: 2" x 4" @ 16" O.C. W/ DOUBLE TOP PLATE AND SINGLE BOTTOM PLATE OR 2" x 4" O.C.
 ENDS: 5/8" CHS. EACH SIDE UNLESS NOTED OTHERWISE. (USE 5/8" TYP. "X" C/P. FOR 1-HR. CORRIDORS)
 FRAMING WALLS: 2" x 4"
 HEADERS: (1) 2" x 10" FOR BEARING WALLS. OPENINGS LESS THAN 5'-0" OVER. SEE ROOF FRAMING PLAN OR FLOOR FRAMING PLAN.

1 TYPICAL INTERIOR WALL DETAIL
 3/4" = 1'-0"

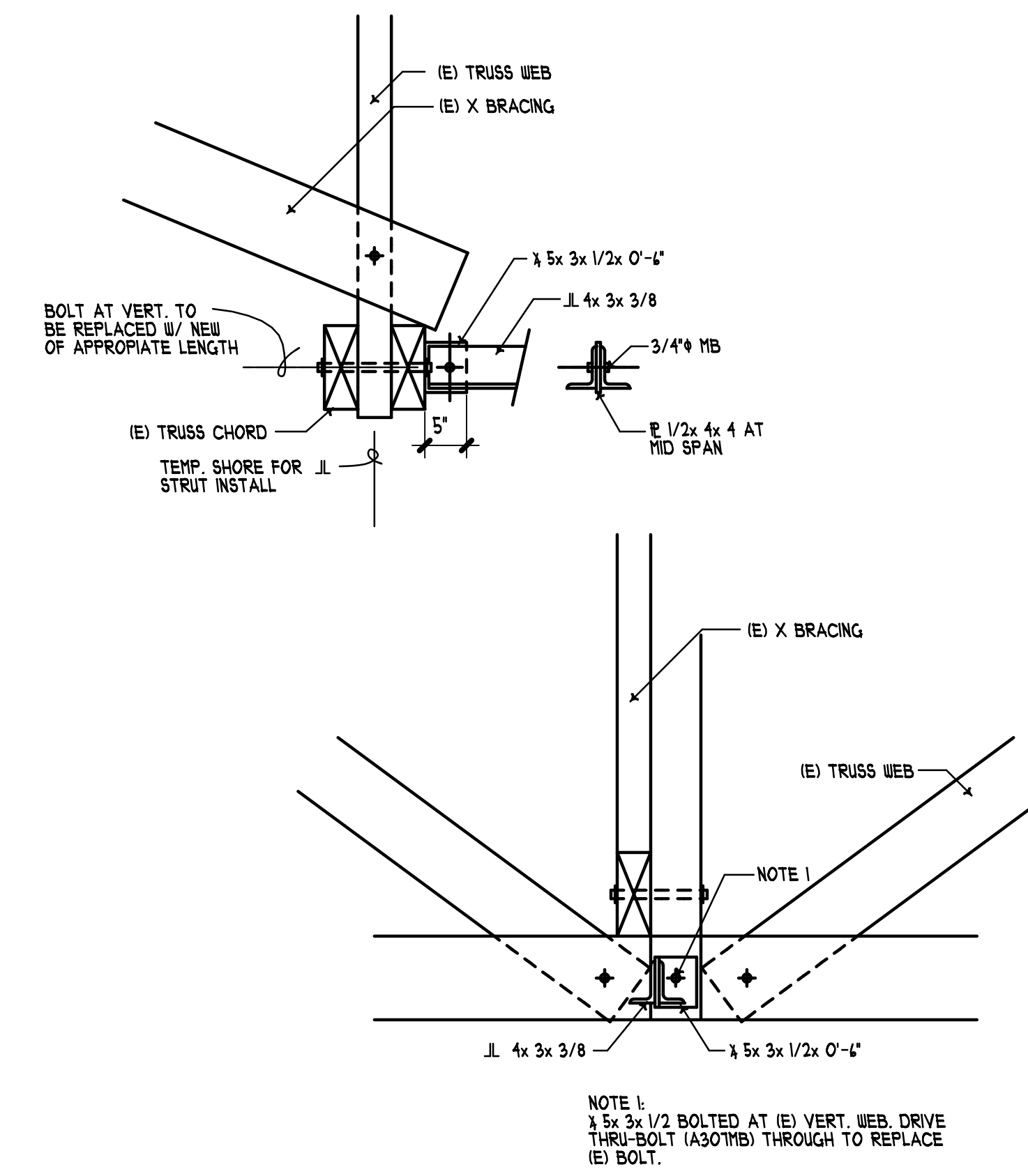


INTERIOR WALLS FOR COMMERCIAL
 STUDS: 2" x 4" @ 16" O.C. W/ DOUBLE TOP PLATE AND SINGLE BOTTOM PLATE OR 2" x 4" O.C.
 ENDS: 5/8" CHS. EACH SIDE UNLESS NOTED OTHERWISE. (USE 5/8" TYP. "X" C/P. FOR 1-HR. CORRIDORS)
 FRAMING WALLS: 2" x 4"
 HEADERS: (1) 2" x 10" FOR BEARING WALLS. OPENINGS LESS THAN 5'-0" OVER. SEE ROOF FRAMING PLAN OR FLOOR FRAMING PLAN.

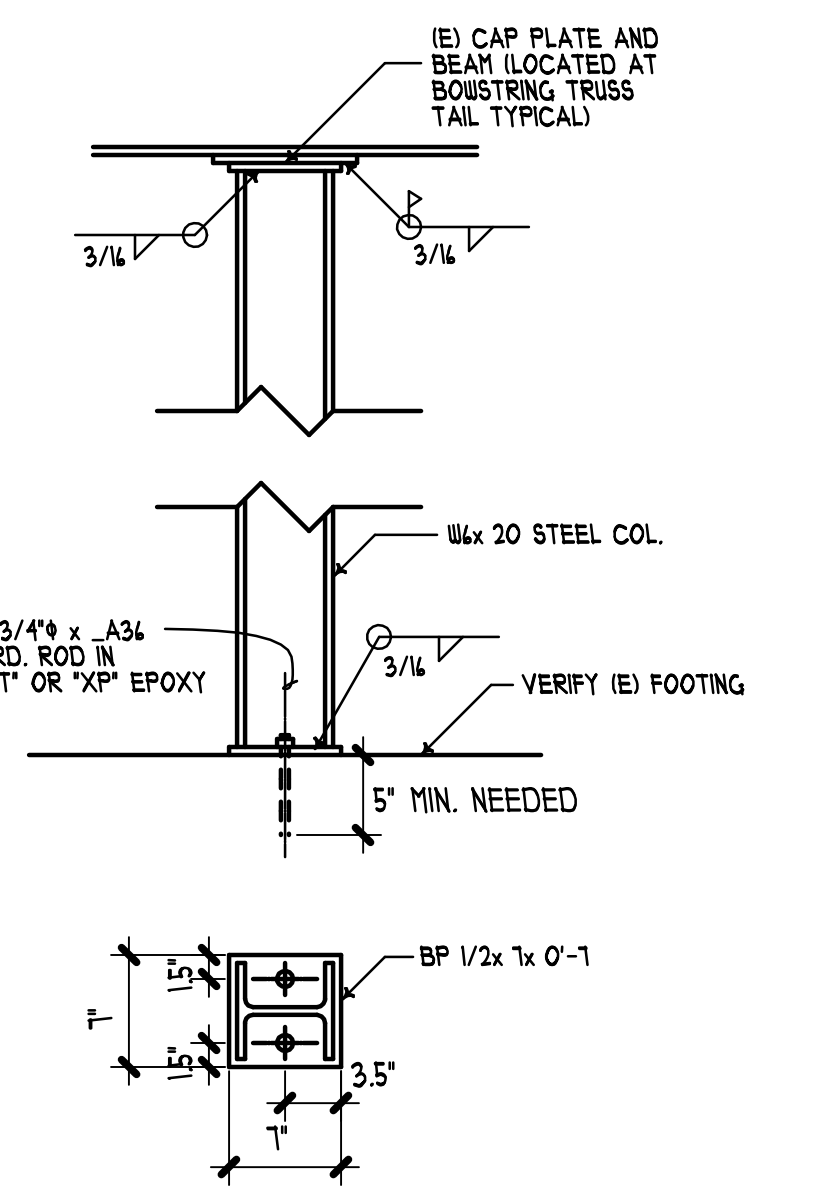
2 TYPICAL INTERIOR WALL DETAIL AT VAULT
 3/4" = 1'-0"



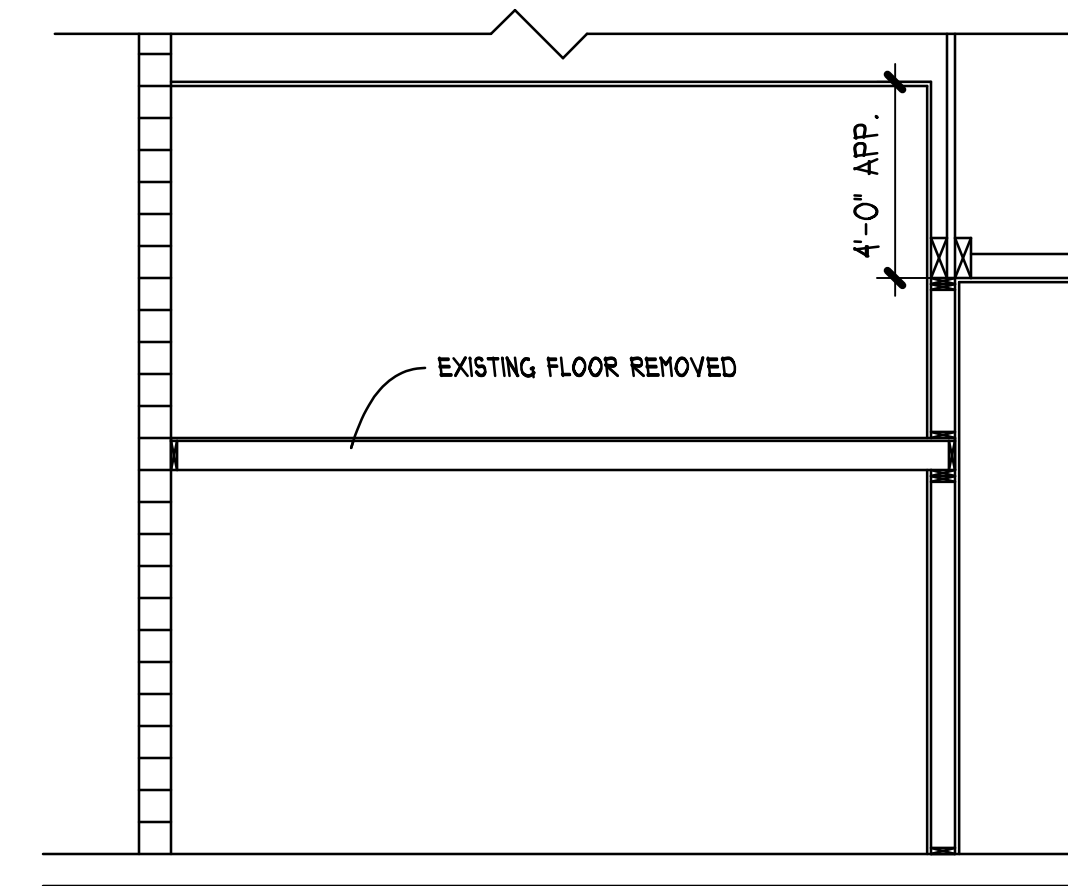
3 PARTITION WALL AT CUT JOISTS
 3/4" = 1'-0"



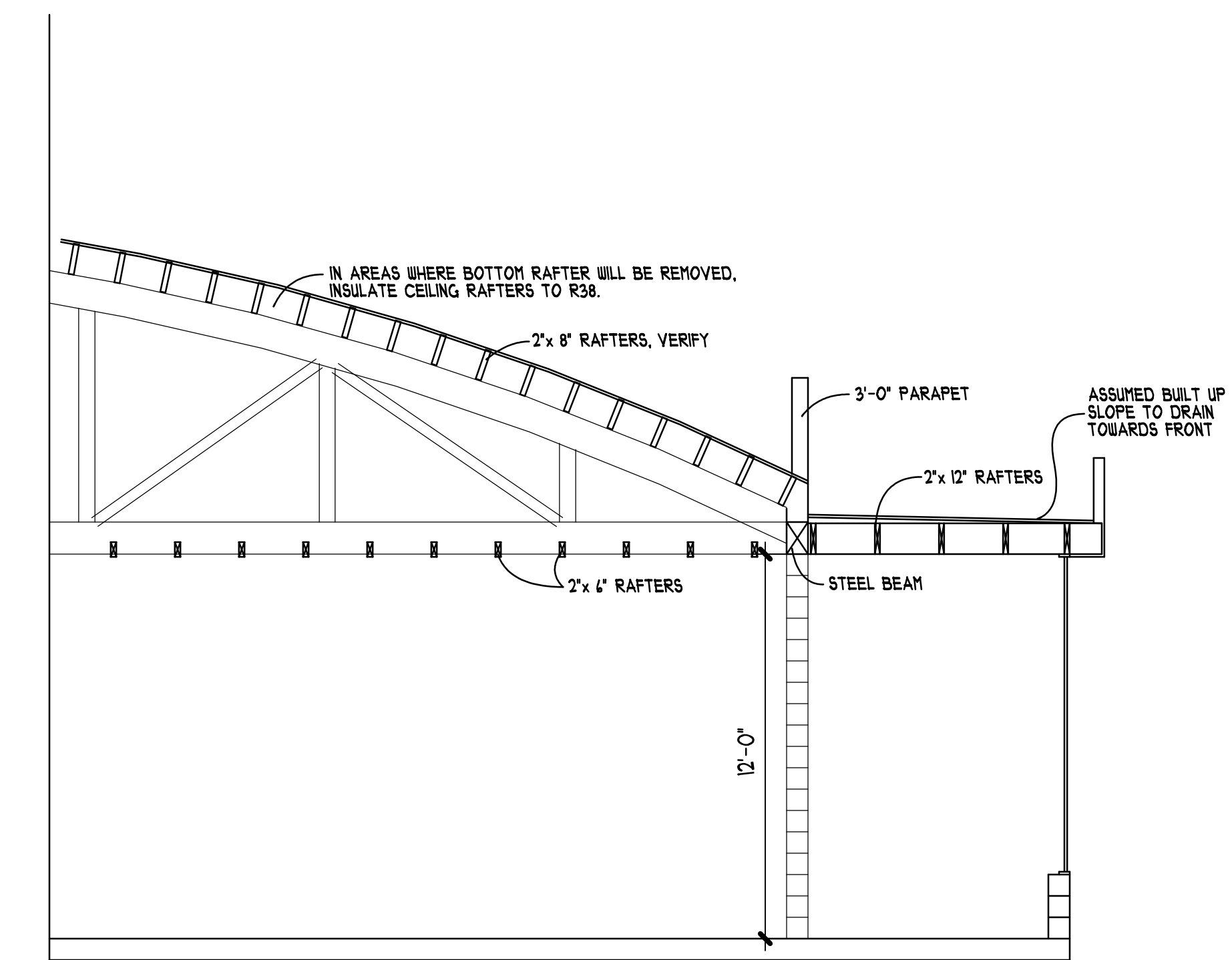
4 LATERAL DBL. ANGLE STRUT
 3/4" = 1'-0"



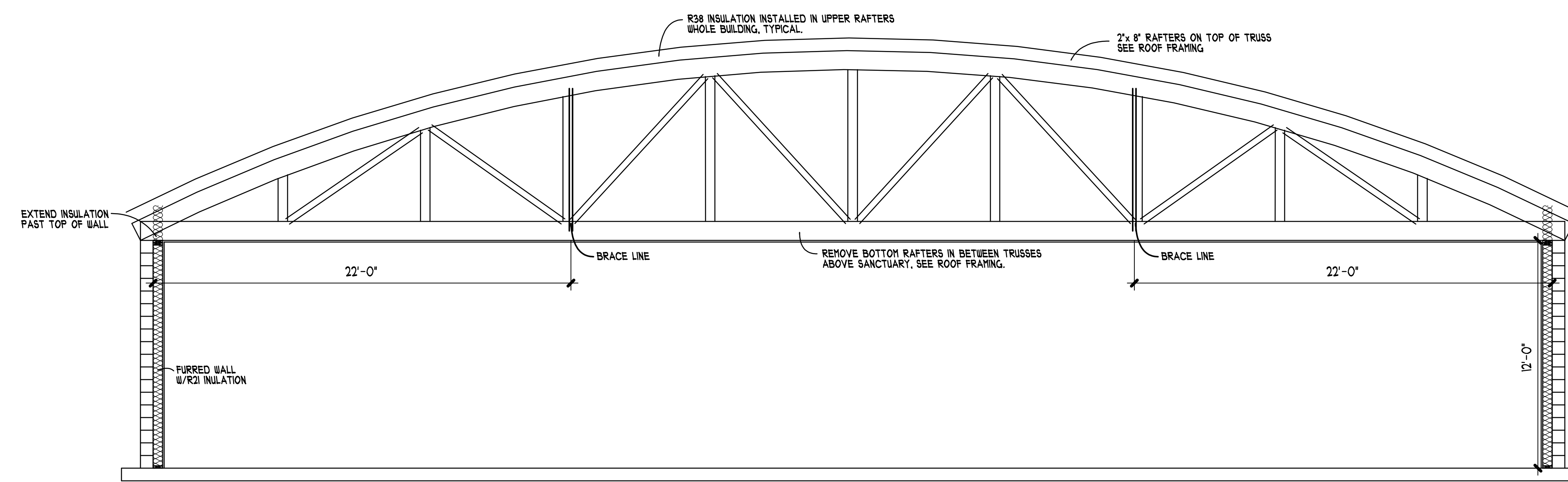
5 'W' COLUMN REPLACEMENT
 1" = 1'-0"



SECTION C~C
 SCALE: 1/4" = 1'-0"



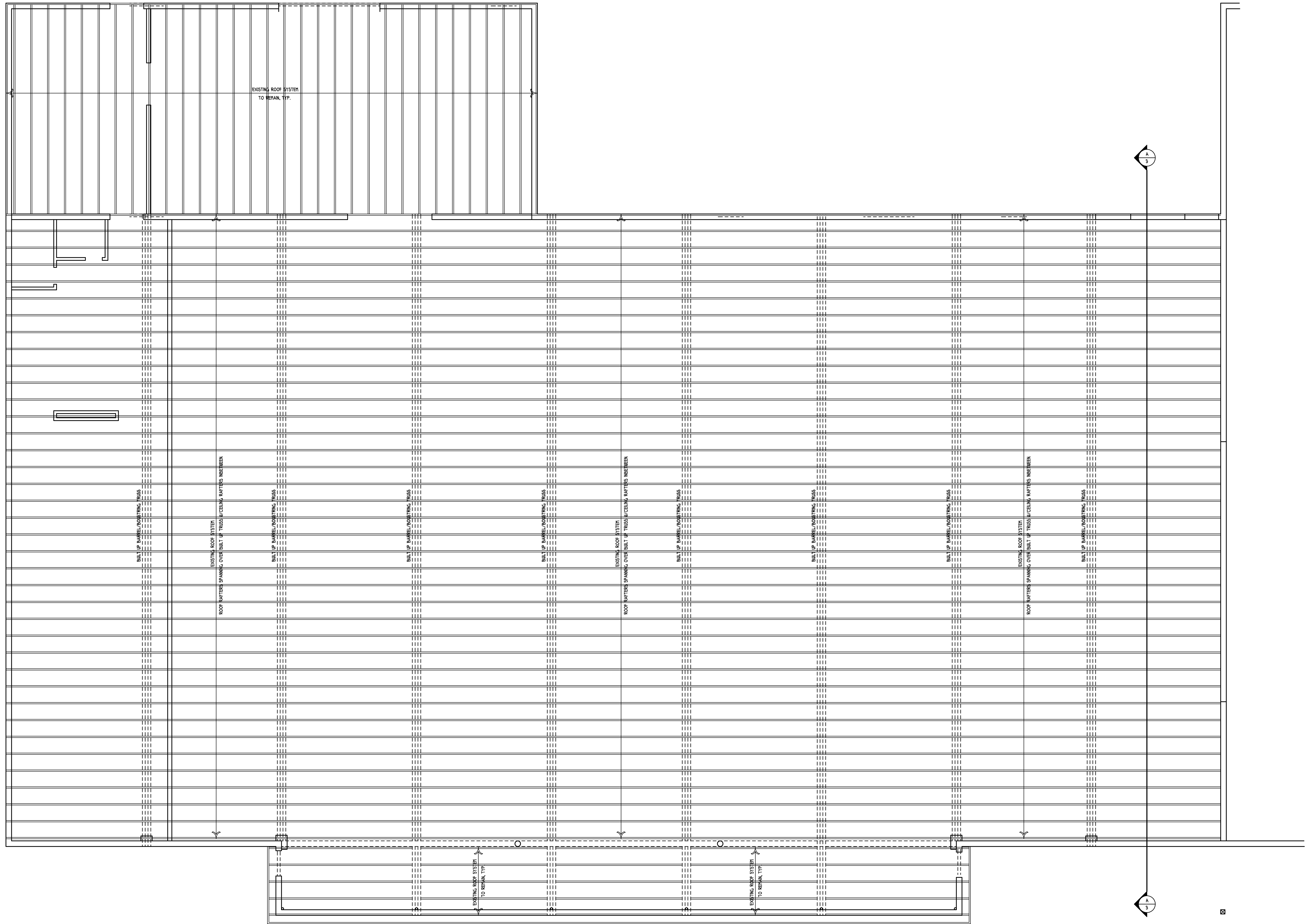
SECTION B~B
 SCALE: 1/4" = 1'-0"



SECTION A~A
 SCALE: 1/4" = 1'-0"

4077 REGISTERED ARCHITECT
 Robert E. Johnson
 STATE OF WASHINGTON
 08/22/18

DATE: 08/22/18	PLAN# V6-18257
REVISED	SHEET NUMBER
1	4 / 6 OF
2	
3	
4	
5	
6	

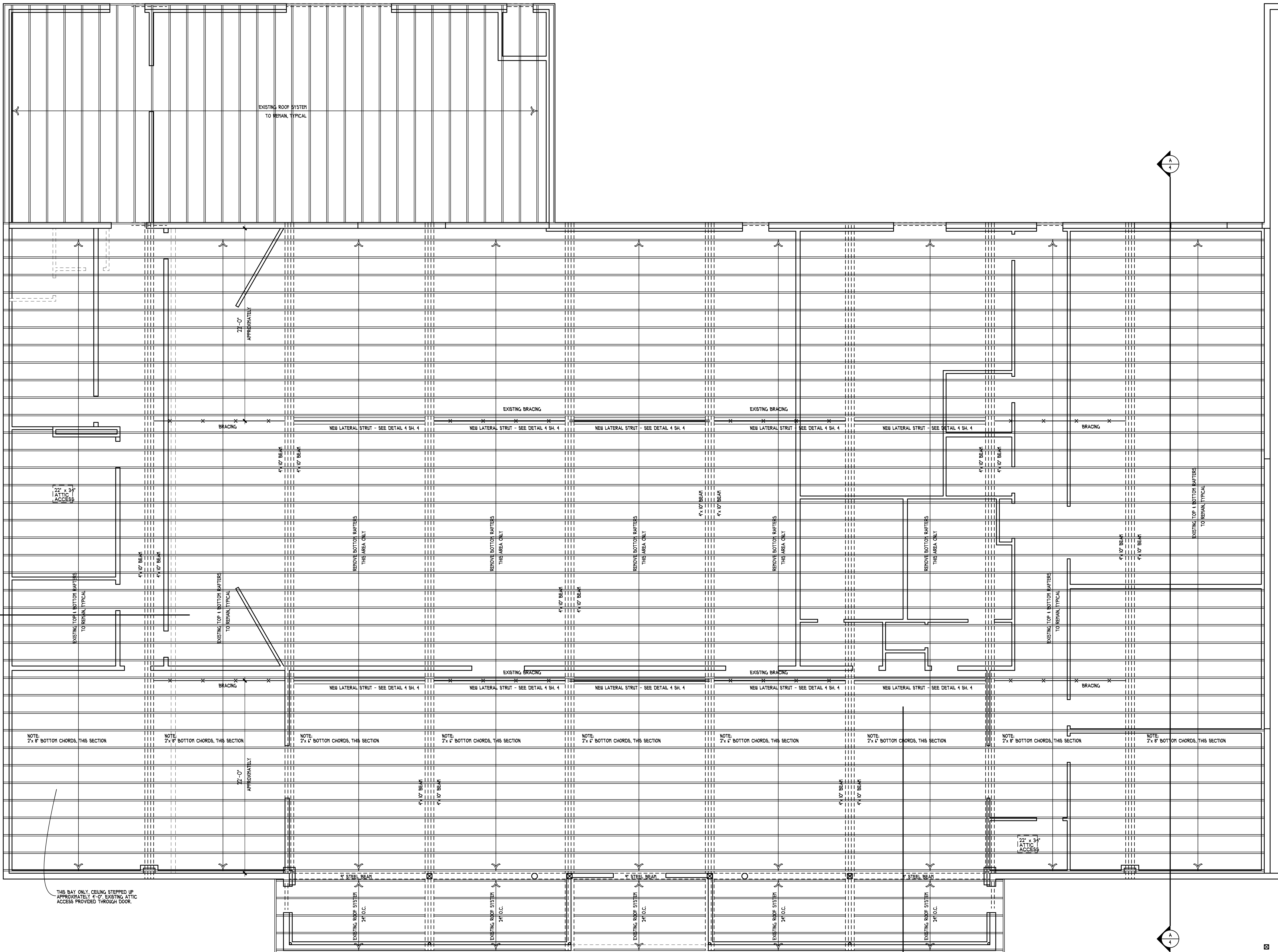


4007 REGISTERED ARCHITECT
Robert E. Johnson
 ROBERT E. JOHNSON
 STATE OF WASHINGTON
 08/23/18

DATE: 08/22/18	PLAN# V6-18257
REVISED	SHEET NUMBER
▲	5
▲	6
▲	
▲	
▲	

EXISTING ROOF FRAMING PLAN
 SCALE: 1/4" = 1'-0"

© COMPANY, ALL RIGHTS RESERVED.



C
4

4
A

6
1

4
A

6

DATE: 08/22/18	PLAN# V6-18257
REVISED	SHEET NUMBER
▲	6
▲	OF
▲	6
▲	
▲	
▲	

ROOF FRAMING PLAN

SCALE: 1/4" = 1'-0"