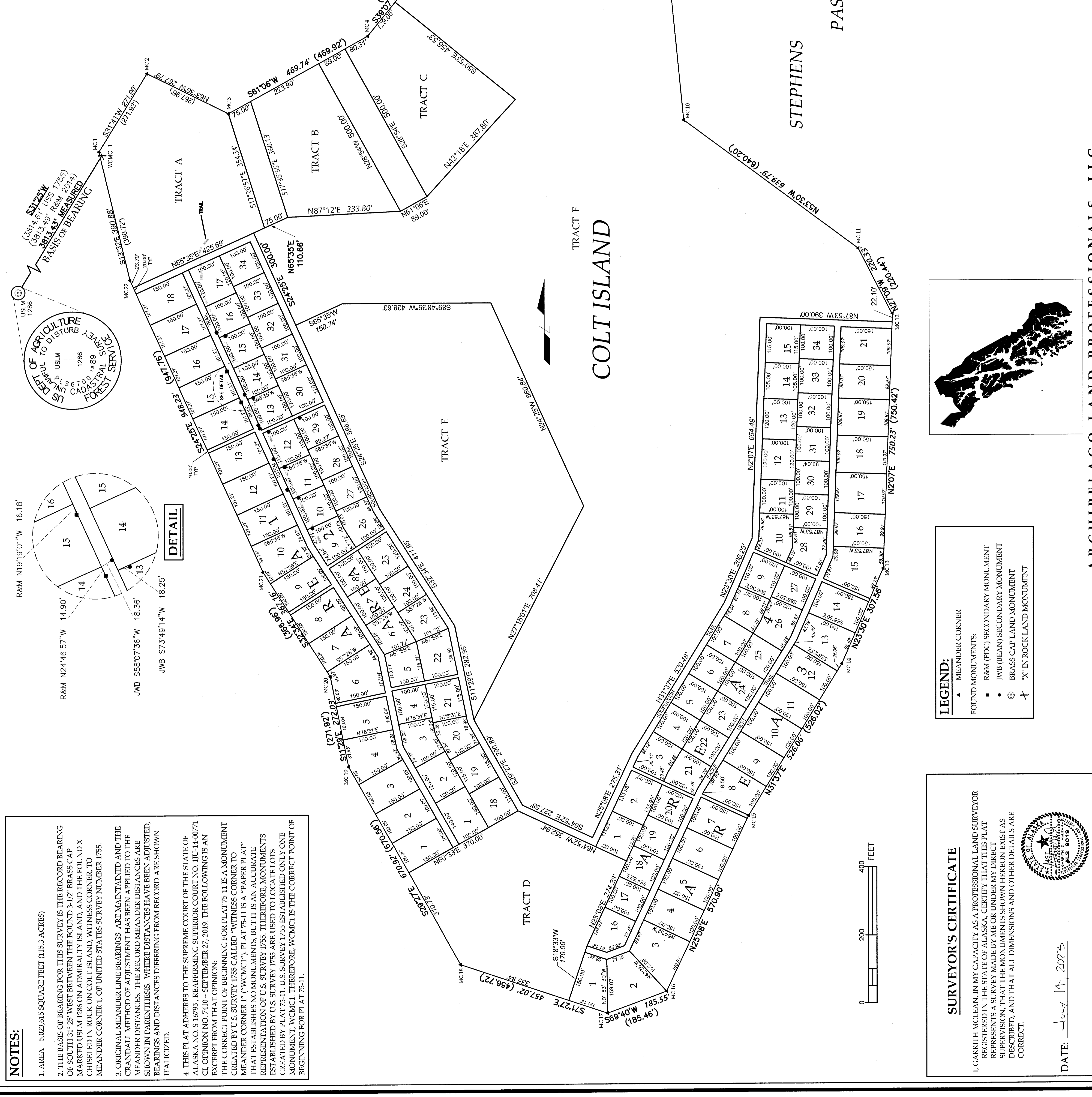
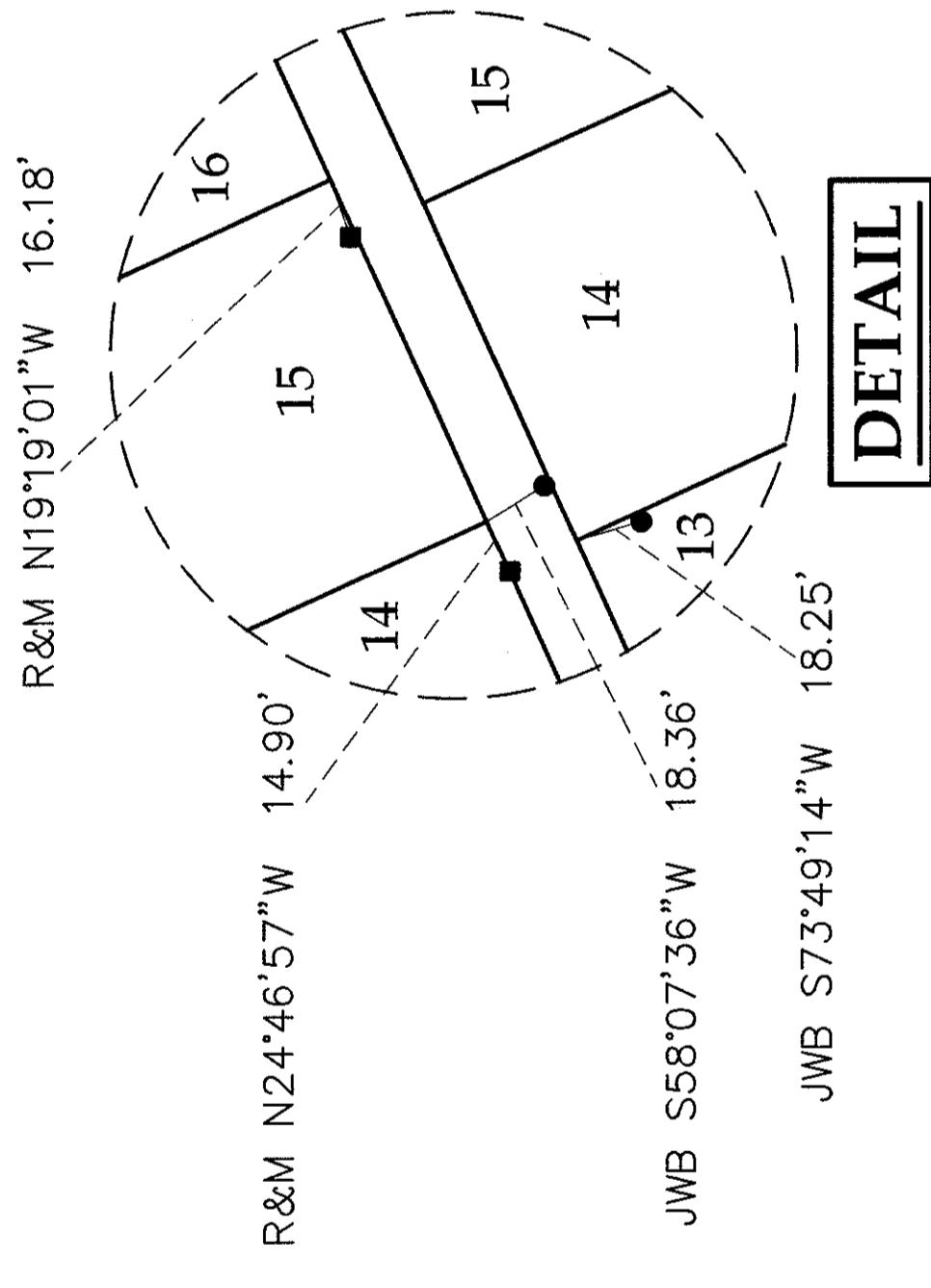


VICINITY MAP
SCALE: 1" = 1 MILE
SOURCE: ALASKA DNR MAPPER
2022



NOTES:

1. AREA = 5,023,615 SQUARE FEET (115.3 ACRES)
2. THE BASIS OF BEARING FOR THIS SURVEY IS THE RECORD BEARING OF SOUTH 31° 25' WEST BETWEEN THE FOUND 5.12" BRASS CAP MARKED USLM 1286 ON ADMIRALTY ISLAND, AND THE FOUND X CHISELED IN ROCK ON COLT ISLAND, WITNESS CORNER TO MEANDER CORNER I OF UNITED STATES SURVEY NUMBER 1755.
3. ORIGINAL MEANDER LINE BEARINGS ARE MAINTAINED AND THE RANDALL METHOD OF ADJUSTMENT HAS BEEN APPLIED TO THE MEANDER DISTANCES. THE RECORD MEANDER DISTANCES ARE SHOWN IN PARENTHESES. WHERE DISTANCES HAVE BEEN ADJUSTED, BEARINGS AND DISTANCES DIFFERING FROM RECORD ARE SHOWN ITALICIZED.
4. THIS PLAT ADHERES TO THE SUPREME COURT OF THE STATE OF ALASKA NO. S-16795, REAFFIRMING SUPERIOR COURT NO. JLU-14-00771 CI OPINION NO. 7410 - SEPTEMBER 27, 2019. THE FOLLOWING IS AN EXCERPT FROM THAT OPINION:
THE CORRECT POINT OF BEGINNING FOR PLAT 75-11 IS A MONUMENT CREATED BY U.S. SURVEY 1755 CALLED "WITNESS CORNER TO MEANDER CORNER I" ("WCMCI"). PLAT 75-11 IS A "PAPER PLAT" THAT ESTABLISHES NO MONUMENTS, BUT IT IS AN ACCURATE REPRESENTATION OF U.S. SURVEY 1755. THEREFORE, MONUMENTS ESTABLISHED BY U.S. SURVEY 1755 ARE USED TO LOCATE LOTS CREATED BY PLAT 75-11. U.S. SURVEY 1755 ESTABLISHED ONLY ONE MONUMENT, WCMCI. THEREFORE, WCMCI IS THE CORRECT POINT OF BEGINNING FOR PLAT 75-11.



DETAIL

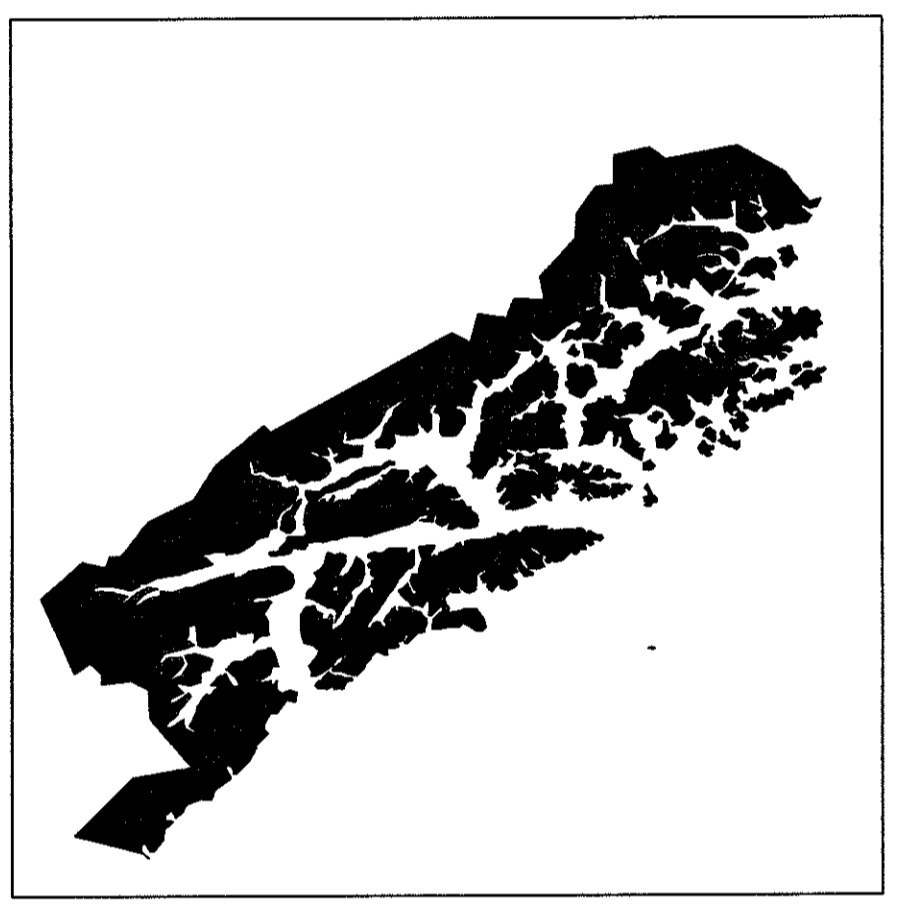
RECORD OF SURVEY
COLT ISLAND ALASKA
RECREATIONAL DEVELOPMENT
A SUBDIVISION OF
U.S. SURVEY No. 1755
SECTION 35 & 36
TOWNSHIP 41 SOUTH, RANGE 65 EAST
COPPER RIVER MERIDIAN
STATE OF ALASKA

JUNEAU RECORDING DISTRICT
STATE RECORDERS OFFICE AT ANCHORAGE

CLIENT: TOMMY GLASGOW
4451 245th PLACE SOUTH EAST
SAMMAMISHI, WASHINGTON 98029

SURVEYOR: ALP, LLC
10117 SILVER STREET
JUNEAU, ALASKA 99801

DATE OF SURVEY: SEPTEMBER, 2022



LEGEND:

- ▲ MEANDER CORNER
- FOUND MONUMENTS:
- R&M (PDC) SECONDARY MONUMENT
- JWB (BEAN) SECONDARY MONUMENT
- ⊙ BRASS CAP LAND MONUMENT
- ✦ "X" IN ROCK LAND MONUMENT

SURVEYOR'S CERTIFICATE

I, GARRITH MCLEAN, IN MY CAPACITY AS A PROFESSIONAL LAND SURVEYOR REGISTERED IN THE STATE OF ALASKA, CERTIFY THAT THIS PLAT REPRESENTS A SURVEY MADE BY ME OR UNDER MY DIRECT SUPERVISION, THAT THE MONUMENTS SHOWN HEREON EXIST AS DESCRIBED, AND THAT ALL DIMENSIONS AND OTHER DETAILS ARE CORRECT.

DATE: July 14, 2023

ARCHIPELAGO LAND PROFESSIONALS, LLC

