

# OFFICE SPACE FOR LEASE

## LEASE RATE: \$20 SF/YR (FULL SERVICE)



\*Property lines are approximate

## 515 WSW LOOP 323

TYLER, TX 75701

- Prominent Location with Convenient Access
- Flexible Floor Plans from 958 - 14,147 RSF
- \$20.00/SF Full Service
- Zoned RPO
- Direct Loop 323 frontage (±233 feet)
- Approximately 40,000 VPD
- Monument signage available
- Professionally Managed

**Philip Humber, CCIM**

Associate Broker

281.382.1438

phumber@bcptx.com

**Luke Swanson**

Agent

903.574.5654

lswanson@bcptx.com



### PROPERTY DESCRIPTION

Strategically located directly on Loop 323, just 0.5 miles west of the Loop 323/S. Broadway intersection, this highly visible commercial property offers exceptional exposure in one of Tyler's busiest corridors. The 21,514 SF building sits on 1.48 acres and benefits from approximately 40,000 vehicles per day, providing strong traffic-driven visibility. Zoned RPO, the property is well-suited for professional office and related uses. 15,659 SF will be available April 1, 2026, offered at \$20.00/SF (Gross), with prominent monument signage and 233 feet of frontage along Loop 323.

### OFFERING SUMMARY

Lease Rate:	\$20 SF/yr (Full Service)
Building Size:	21,514 SF

DEMOGRAPHICS	0.3 MILES	0.5 MILES	1 MILE
Total Households	145	661	3,316
Total Population	343	1,583	7,488
Average HH Income	\$136,544	\$132,162	\$104,919

#### Philip Humber, CCIM

Associate Broker  
281.382.1438  
phumber@bcptx.com

#### Luke Swanson

Agent  
903.574.5654  
lswanson@bcptx.com



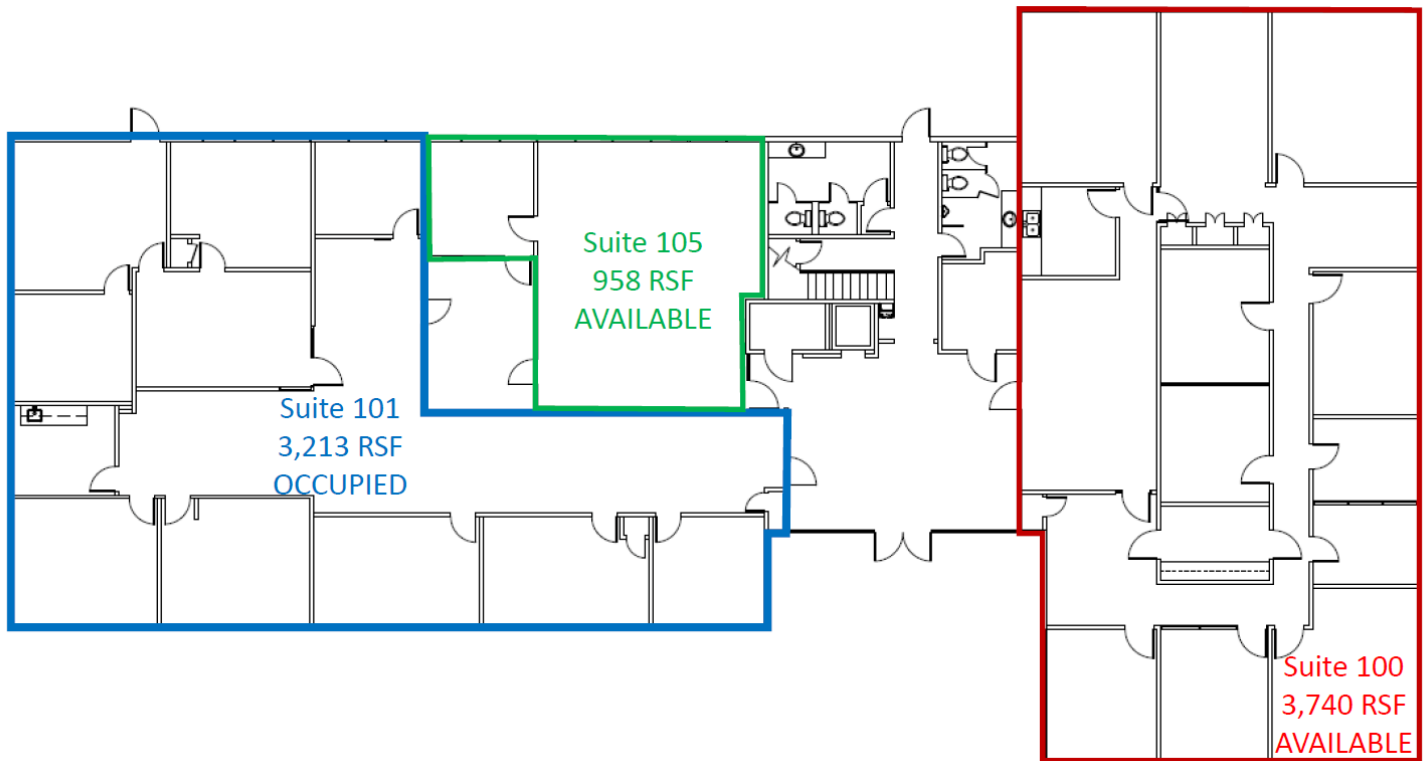
**BURNS  
COMMERCIAL  
PROPERTIES**



**Philip Humber, CCIM**  
Associate Broker  
281.382.1438  
phumber@bcptx.com

**Luke Swanson**  
Agent  
903.574.5654  
lswanson@bcptx.com





**Philip Humber, CCIM**

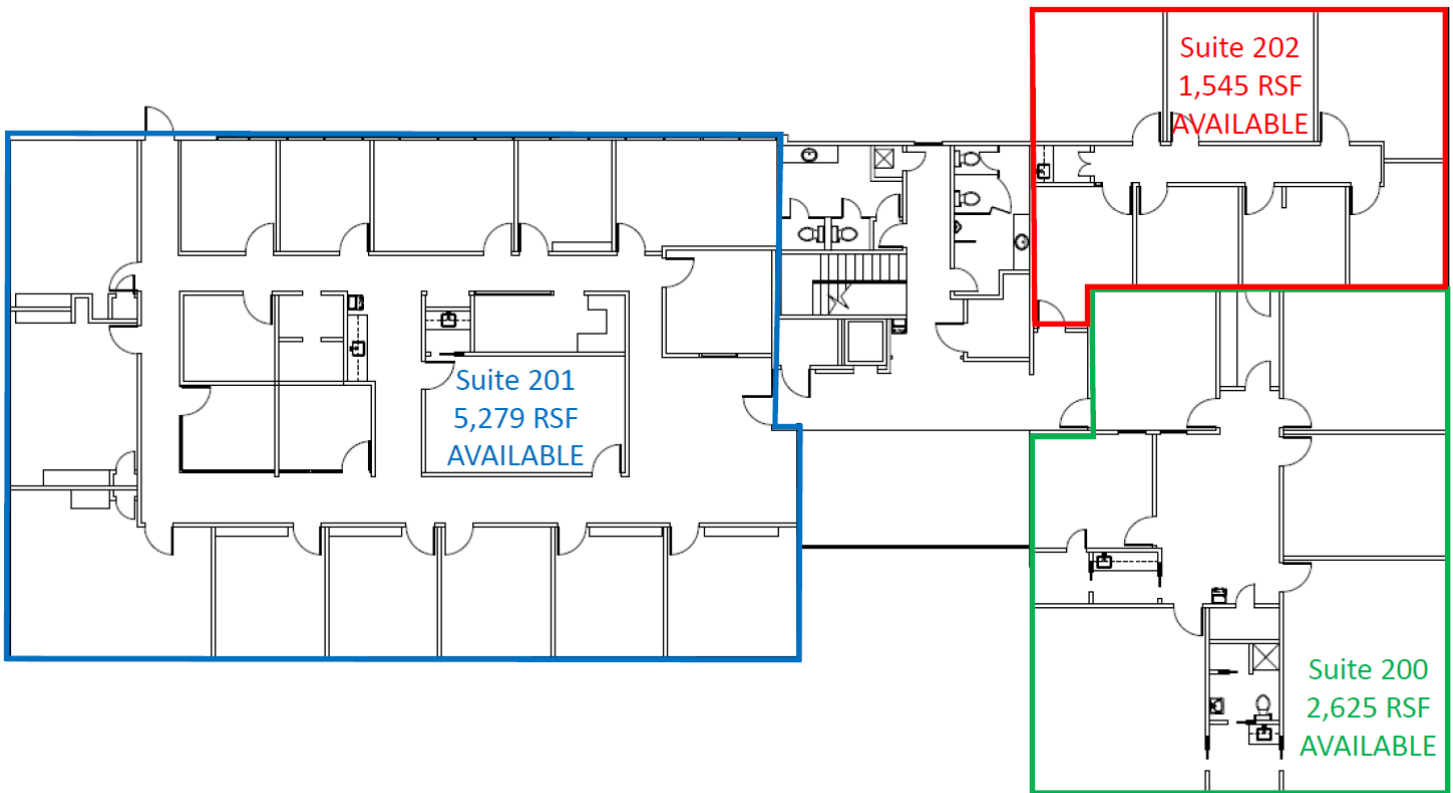
Associate Broker  
281.382.1438  
phumber@bcptx.com

**Luke Swanson**

Agent  
903.574.5654  
lswanson@bcptx.com



**BURNS  
COMMERCIAL  
PROPERTIES**



**Philip Humber, CCIM**

Associate Broker  
281.382.1438  
phumber@bcptx.com

**Luke Swanson**

Agent  
903.574.5654  
lswanson@bcptx.com



**BURNS  
COMMERCIAL  
PROPERTIES**



**Philip Humber, CCIM**  
Associate Broker  
281.382.1438  
phumber@bcptx.com

**Luke Swanson**  
Agent  
903.574.5654  
lswanson@bcptx.com





## Information About Brokerage Services

Texas law requires all real estate license holders to give the following information about brokerage services to prospective buyers, tenants, sellers and landlords.

2-10-2025



### TYPES OF REAL ESTATE LICENSE HOLDERS:

- **A BROKER** is responsible for all brokerage activities, including acts performed by sales agents sponsored by the broker.
- **A SALES AGENT** must be sponsored by a broker and works with clients on behalf of the broker.

### A BROKER'S MINIMUM DUTIES REQUIRED BY LAW (A client is the person or party that the broker represents):

- Put the interests of the client above all others, including the broker's own interests;
- Inform the client of any material information about the property or transaction received by the broker;
- Answer the client's questions and present any offer to or counter-offer from the client; and
- Treat all parties to a real estate transaction honestly and fairly.

### A LICENSE HOLDER CAN REPRESENT A PARTY IN A REAL ESTATE TRANSACTION:

**AS AGENT FOR OWNER (SELLER/LANDLORD):** The broker becomes the property owner's agent through an agreement with the owner, usually in a written listing to sell or property management agreement. An owner's agent must perform the broker's minimum duties above and must inform the owner of any material information about the property or transaction known by the agent, including information disclosed to the agent or subagent by the buyer or buyer's agent. **An owner's agent fees are not set by law and are fully negotiable.**

**AS AGENT FOR BUYER/TENANT:** The broker becomes the buyer/tenant's agent by agreeing to represent the buyer, usually through a written representation agreement. A buyer's agent must perform the broker's minimum duties above and must inform the buyer of any material information about the property or transaction known by the agent, including information disclosed to the agent by the seller or seller's agent. **A buyer/tenant's agent fees are not set by law and are fully negotiable.**

**AS AGENT FOR BOTH - INTERMEDIARY:** To act as an intermediary between the parties the broker must first obtain the written agreement of *each party* to the transaction. The written agreement must state who will pay the broker and, in conspicuous bold or underlined print, set forth the broker's obligations as an intermediary. A broker who acts as an intermediary:

- Must treat all parties to the transaction impartially and fairly;
- May, with the parties' written consent, appoint a different license holder associated with the broker to each party (owner and buyer) to communicate with, provide opinions and advice to, and carry out the instructions of each party to the transaction.
- Must not, unless specifically authorized in writing to do so by the party, disclose:
  - that the owner will accept a price less than the written asking price;
  - that the buyer/tenant will pay a price greater than the price submitted in a written offer; and
  - any confidential information or any other information that a party specifically instructs the broker in writing not to disclose, unless required to do so by law.

**AS SUBAGENT:** A license holder acts as a subagent when aiding a buyer in a transaction without an agreement to represent the buyer. A subagent can assist the buyer but does not represent the buyer and must place the interests of the owner first.

### TO AVOID DISPUTES, ALL AGREEMENTS BETWEEN YOU AND A BROKER SHOULD BE IN WRITING AND CLEARLY ESTABLISH:

- The broker's duties and responsibilities to you, and your obligations under the representation agreement.
- Who will pay the broker for services provided to you, when payment will be made and how the payment will be calculated.

**LICENSE HOLDER CONTACT INFORMATION:** This notice is being provided for information purposes. It does not create an obligation for you to use the broker's services. Please acknowledge receipt of this notice below and retain a copy for your records.

Burns Commercial Properties, LLC	<b>592818</b>		(903) 534-1200
Licensed Broker /Broker Firm Name or Primary Assumed Business Name	License No.	Email	Phone
<b>Mark Whatley</b>	<b>423898</b>	<b>mwhatley@bcptx.com</b>	(903) 530-0955
Designated Broker of Firm	License No.	Email	Phone
Licensed Supervisor of Sales Agent/ Associate	License No.	Email	Phone
<b>Philip Humber</b>	<b>675335</b>	<b>phumber@bcptx.com</b>	(281) 382-1438
Sales Agent/Associate's Name	License No.	Email	Phone

Buyer/Tenant/Seller/Landlord Initials

Date

Regulated by the Texas Real Estate Commission

Information available at [www.trec.texas.gov](http://www.trec.texas.gov)

**Philip Humber, CCIM**

Associate Broker

281.382.1438

phumber@bcptx.com

**Luke Swanson**

Agent

903.574.5654

lswanson@bcptx.com



**BURNS  
COMMERCIAL  
PROPERTIES**