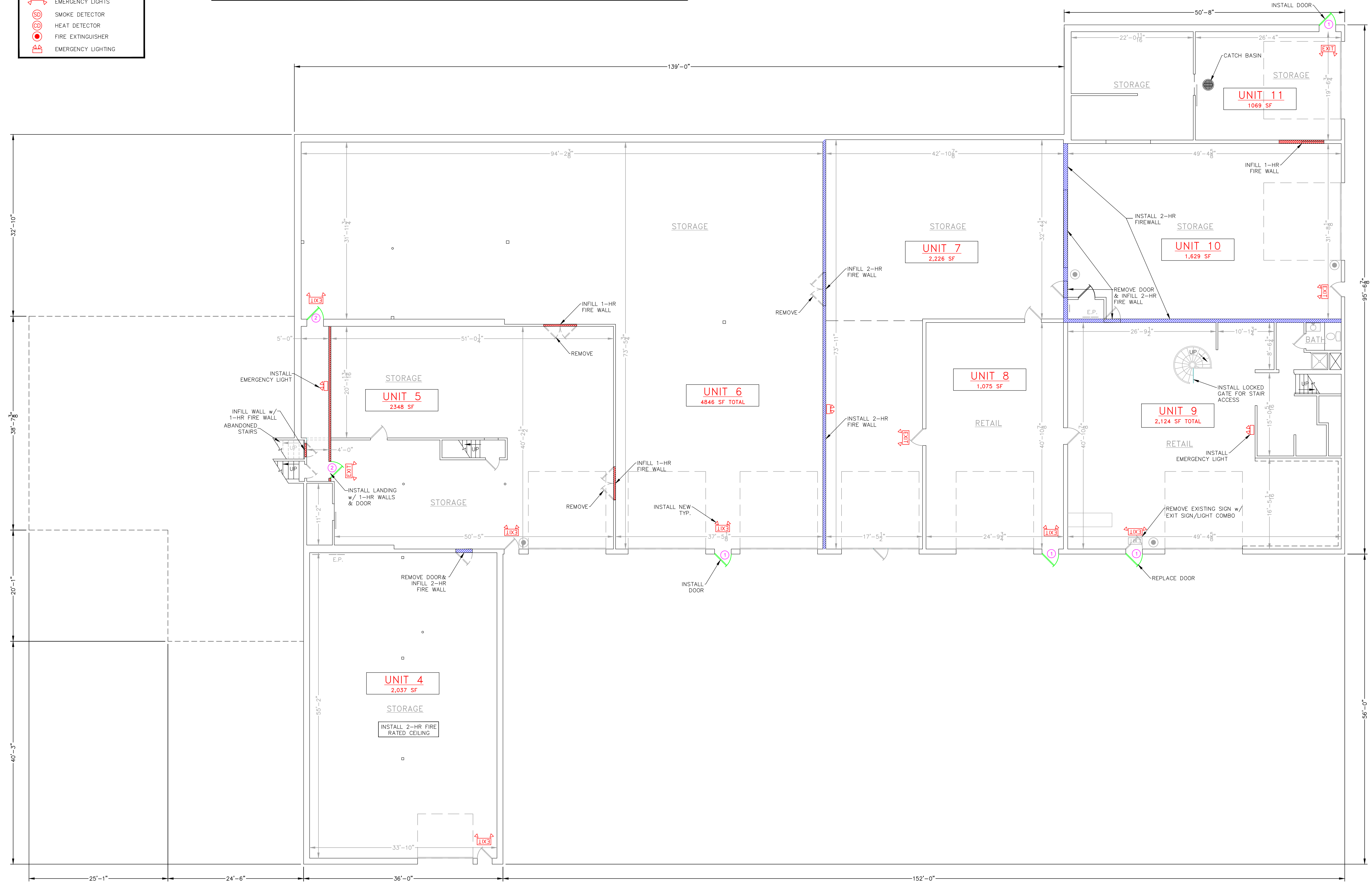


LEGEND	
	PROPOSED WALL
	2-HR. FIRE RATED WALL
	1-HR. FIRE RATED WALL
	EXIT SIGN w/ EMERGENCY LIGHTS
	SMOKE DETECTOR
	HEAT DETECTOR
	FIRE EXTINGUISHER
	EMERGENCY LIGHTING

DOOR SCHEDULE					
NO.	QUANTITY	SIZE	TYPE	FRAME	REMARKS
①	4	3'-0" x 7'-0"	METAL INSULATED	METAL	HINGES, LEVER HANDLE, CLOSER, ENTRY LOCKSET
②	2	3'-0" x 6'-8"	HOLLOW METAL FIRE RATED	METAL	HINGES, LEVER HARDWARE, CLOSER, 1-HR FIRERATED, ENTRY LOCKSET



FIRST FLOOR PLAN
SCALE 1/8" = 1'-0"

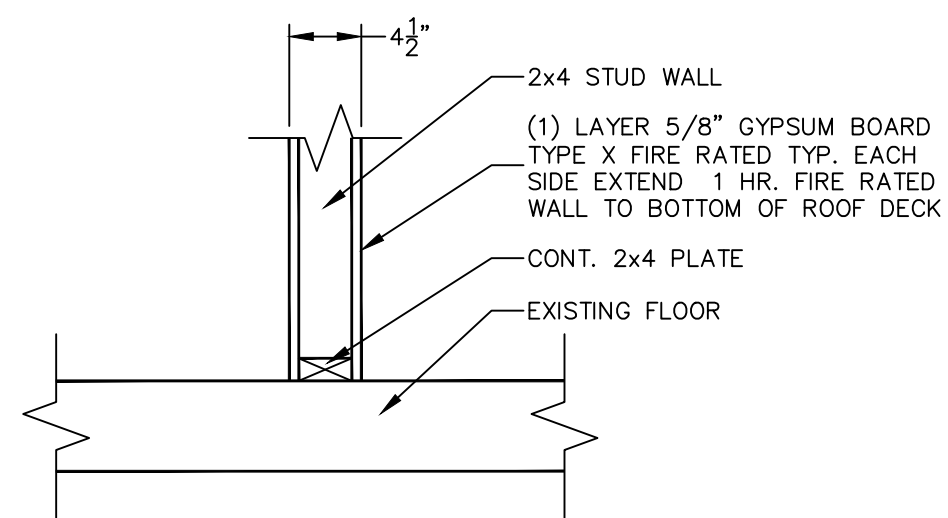
NO.	DATE	BY	REVISIONS
1	00-00-2020	BEM	XXX
1		APPD	

PRELIMINARY
NOT FOR
CONSTRUCTION

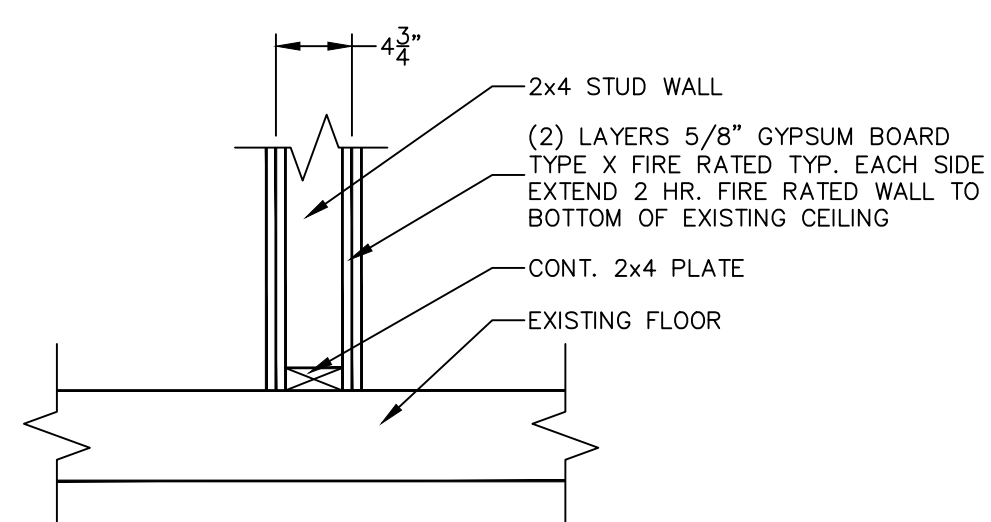
FIRST FLOOR PLAN
OF
6 BAY BRIDGE LEASE PLAN
6 BAY BRIDGE ROAD
BRUNSWICK, MAINE
FOR
COMMERCIAL PROPERTIES MANAGEMENT
251 U.S. RTE. 1
FALMOUTH, MAINE

DRAWN	CHECKED
MG	BEM
SCALE	DATE
AS NOTED	01-18-2021

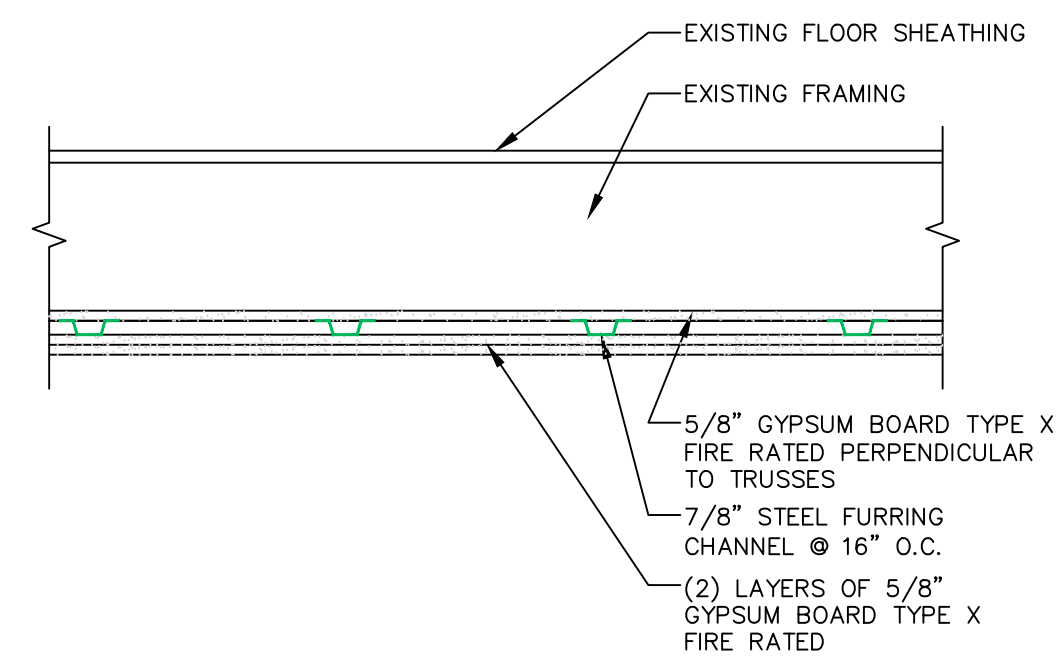
A1.0
PROJECT#: 91-19



1-HR. FIRE RATED WALL DETAIL
UL DES U305
 NO SCALE



2-HR. FIRE RATED WALL DETAIL
UL DES U301
 NO SCALE



2-HR. FIRE RATED CEILING DETAIL
UL DES L538
 NO SCALE

NO.	DESCRIPTION	DATE	REVISIONS
1	BEM	00-00-2020	XXX
	APPD		

**PRELIMINARY
 NOT FOR
 CONSTRUCTION**
PRELIMINARY WITHOUT ORIGINAL SIGNATURE AND SEAL

DETAILS
 OF
6 BAY BRIDGE LEASE PLAN
 6 BAY BRIDGE ROAD
 BRUNSWICK, MAINE
 FOR:
COMMERCIAL PROPERTIES MANAGEMENT
 251 U.S. RTE. 1
 FALMOUTH, MAINE

DRAWN	CHECKED
MG	BEM
SCALE	DATE
AS NOTED	01-18-2021

A5.1
 PROJECT#: 91-19