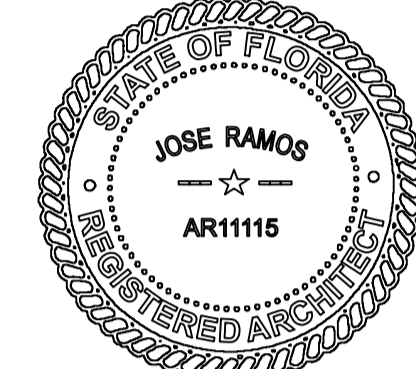




ZORINA MONTIEL
PH. 786.546.3080
JOSE RAMOS AR 11115
PH. 305.506.7388



SEAL:
Jose Ramos
Digitally signed by Jose Ramos
Date: 2021.08.27 17:54:52 -04'00'

ALL IDEAS, DESIGNS, ARRANGEMENTS, AND PLANS INDICATED OR REPRESENTED BY THIS DRAWING ARE OWNED BY, AND THE PROPERTY OF RAMOS ARCHITECTS & ASSOC. AND WERE CREATED, EVOLVED AND DEVELOPED FOR USE ON AND IN CONNECTION WITH THE SPECIFIED PROJECT. NONE OF SUCH IDEAS, DESIGNS, ARRANGEMENTS OR PLANS SHALL BE USED BY OR DISCLOSED TO ANY PERSON, FIRM OR CORPORATION FOR ANY PURPOSE WHATSOEVER WITHOUT THE WRITTEN PERMISSION OF RAMOS ARCHITECTS & ASSOCIATES. WRITTEN DIMENSIONS OF THESE DRAWINGS SHALL HAVE PRECEDENCE OVER SCALED DIMENSIONS. CONTRACTORS SHALL VERIFY, AND BE RESPONSIBLE FOR ALL DIMENSIONS AND CONDITIONS ON THE JOB AND THIS OFFICE MUST BE NOTIFIED OF ANY VARIATIONS FROM THE DIMENSIONS AND CONDITIONS SHOWN BY THESE DRAWINGS. SHOP DETAILS MUST BE SUBMITTED TO THIS OFFICE FOR APPROVAL BEFORE PROCEEDING WITH FABRICATION. ALL RIGHTS RESERVED © 2021.

PROJECT:
QUANTUM ON THE BAY
UNIT 212
TENANT SPACE INTERIOR RENOV.
1900 NORTH BAYSHORE DRIVE, UNIT 212
MIAMI, FL 33132

DATE	07/23/21

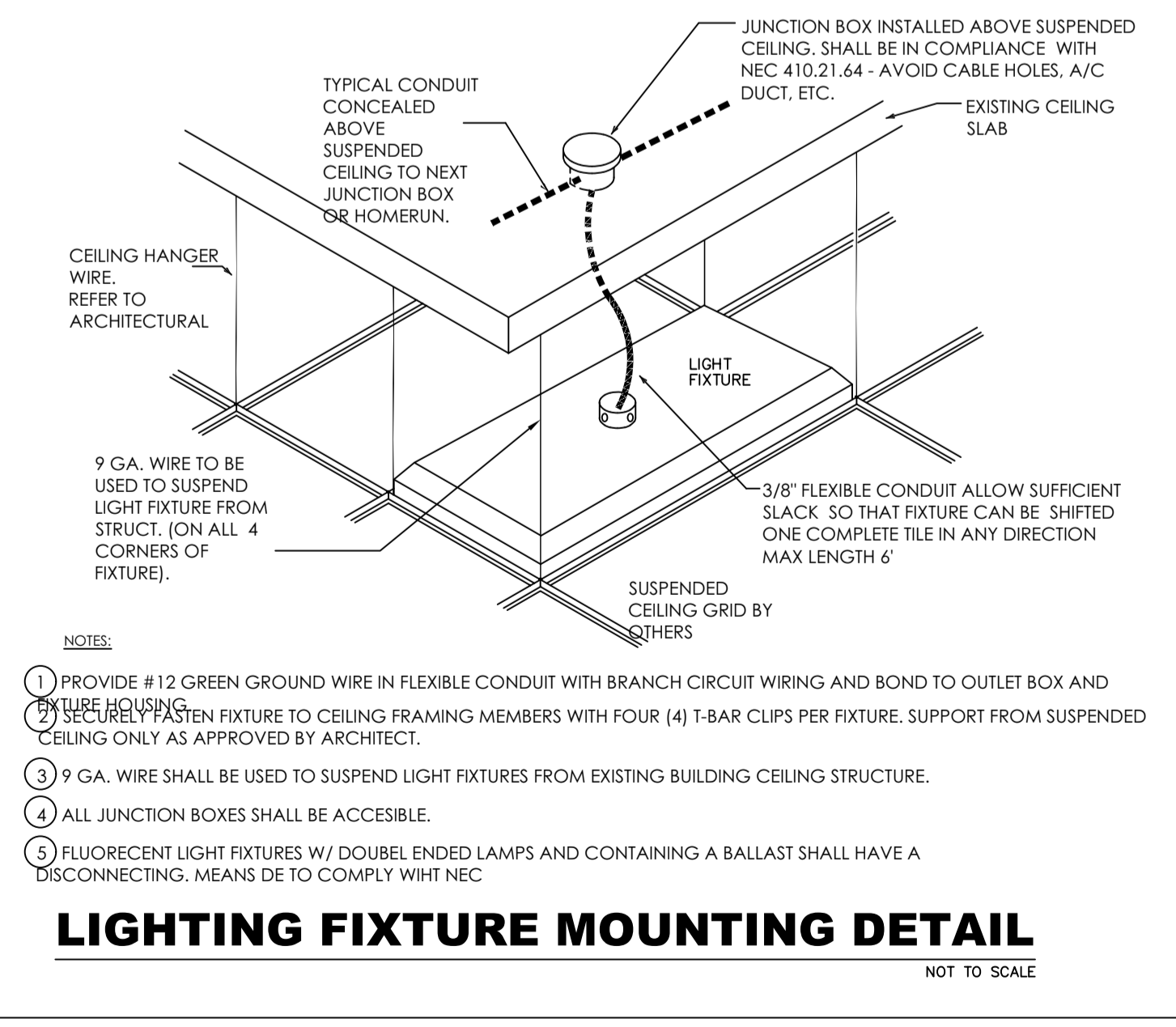
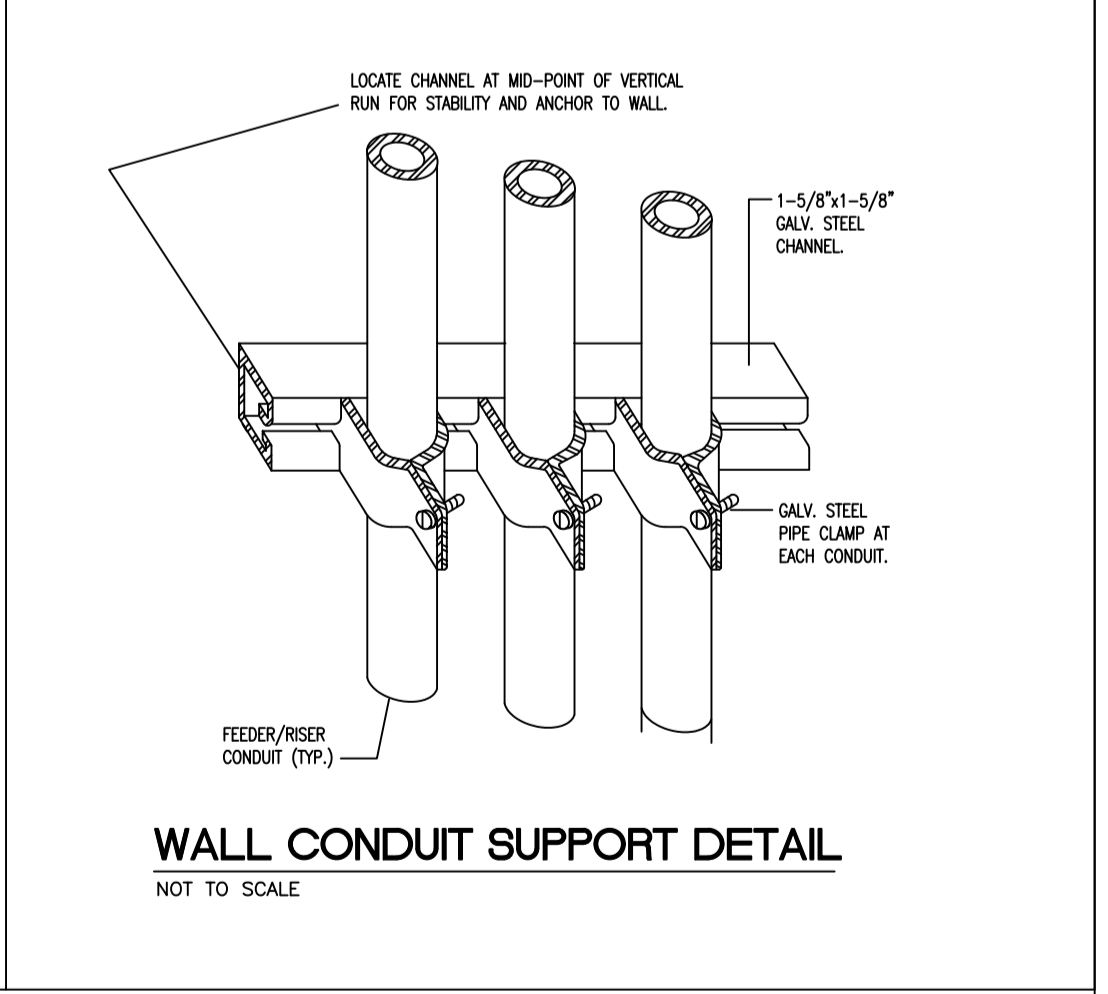
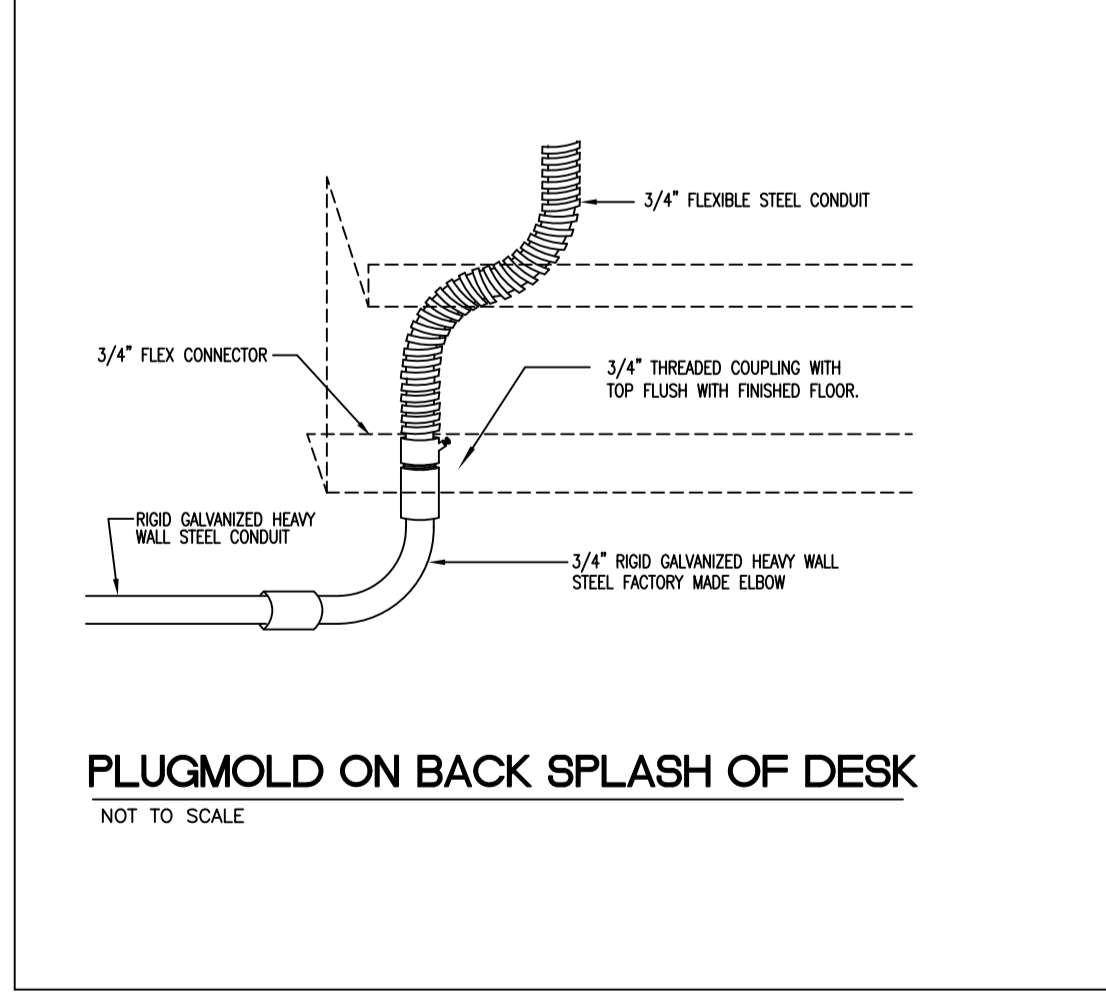
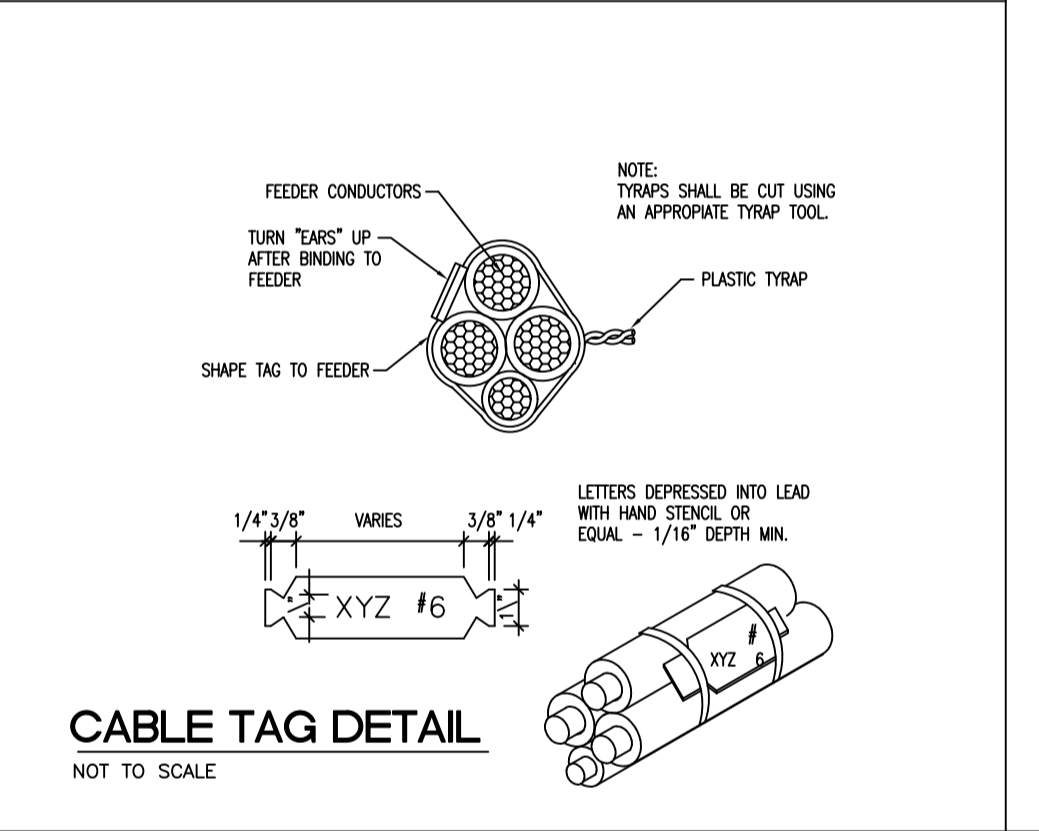
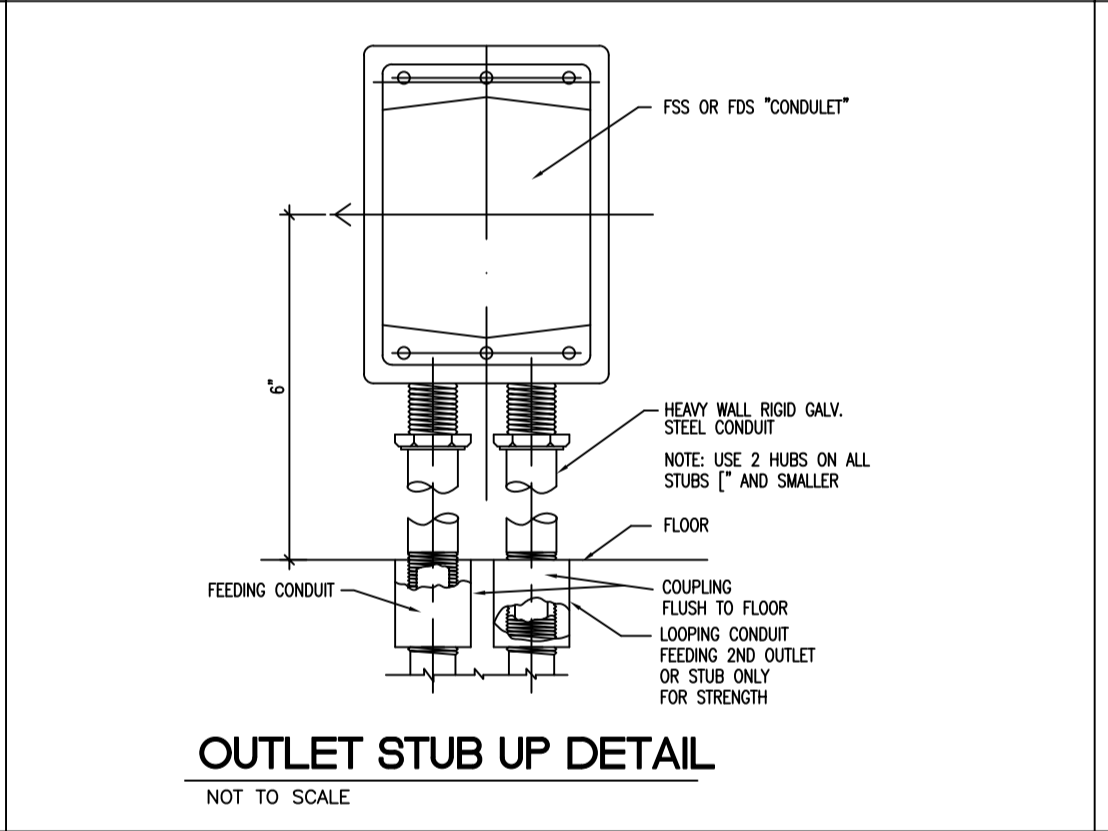
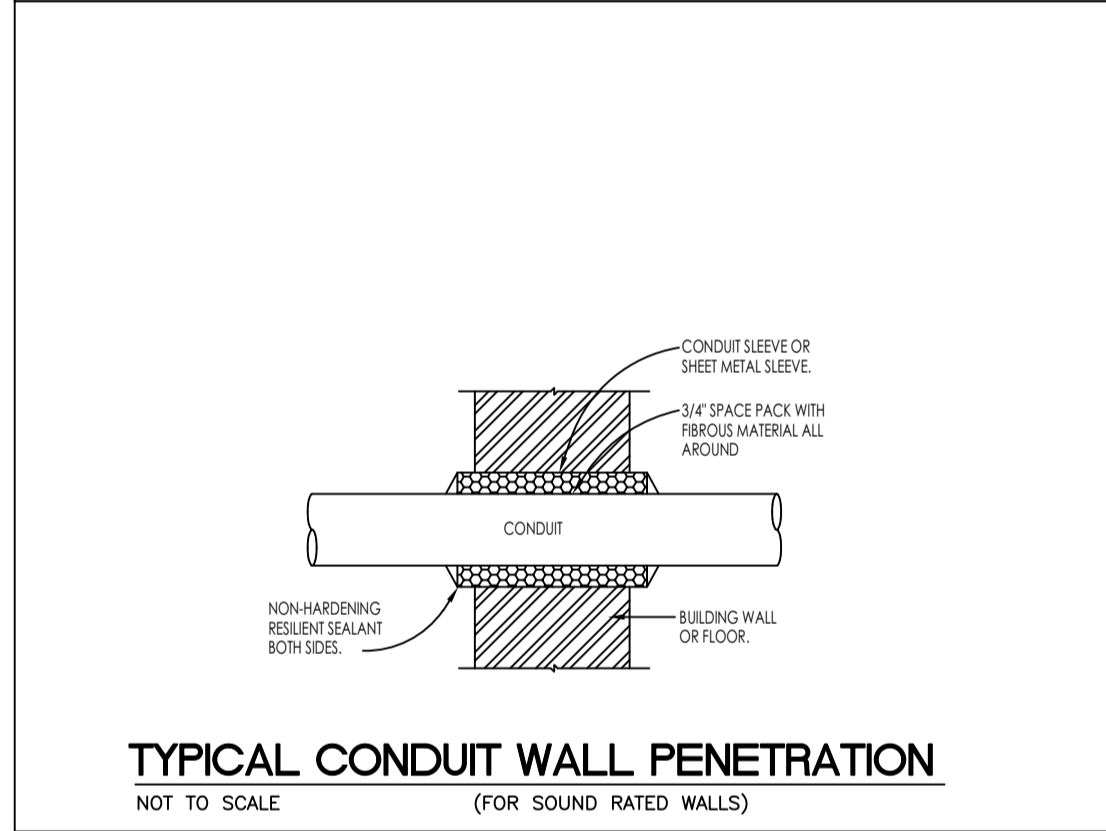
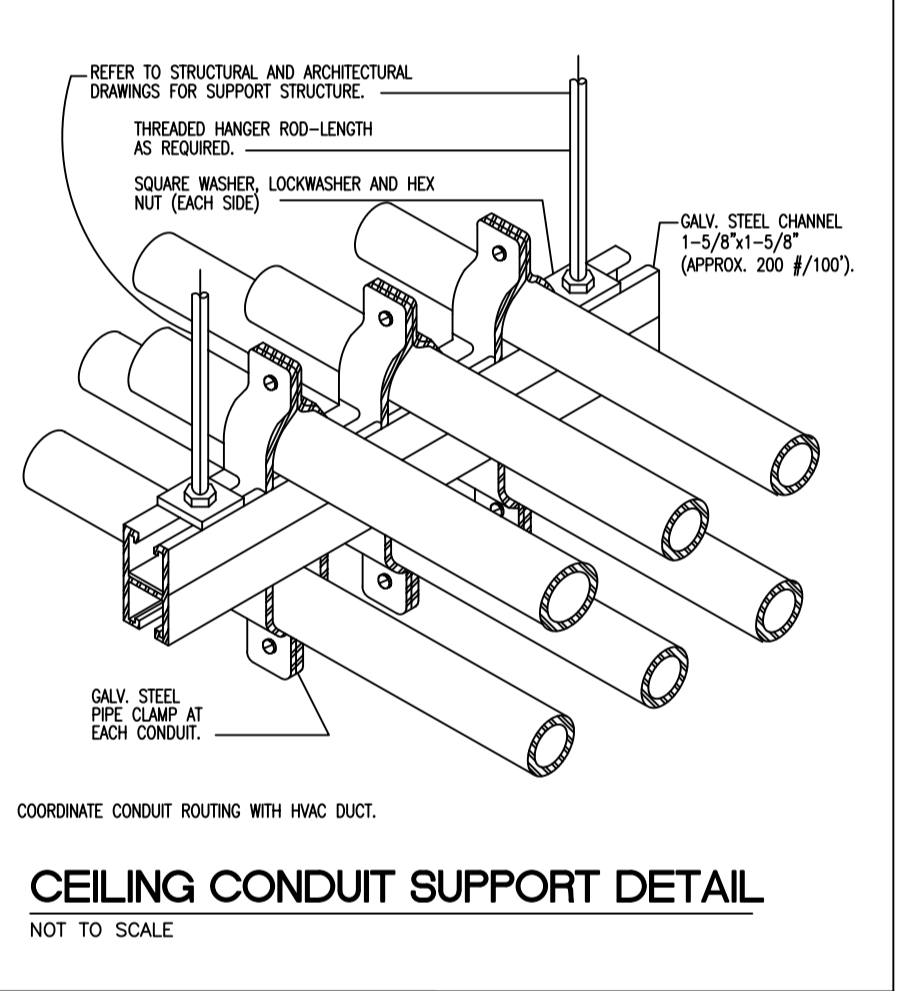
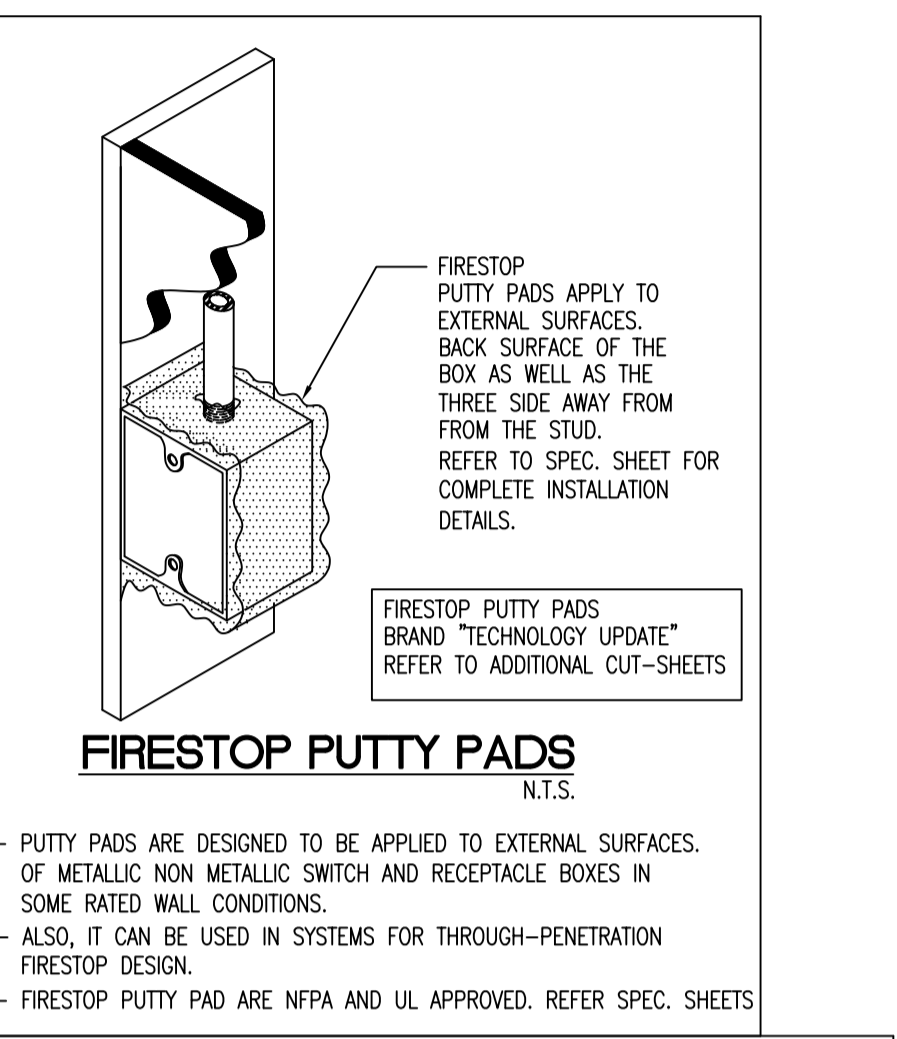
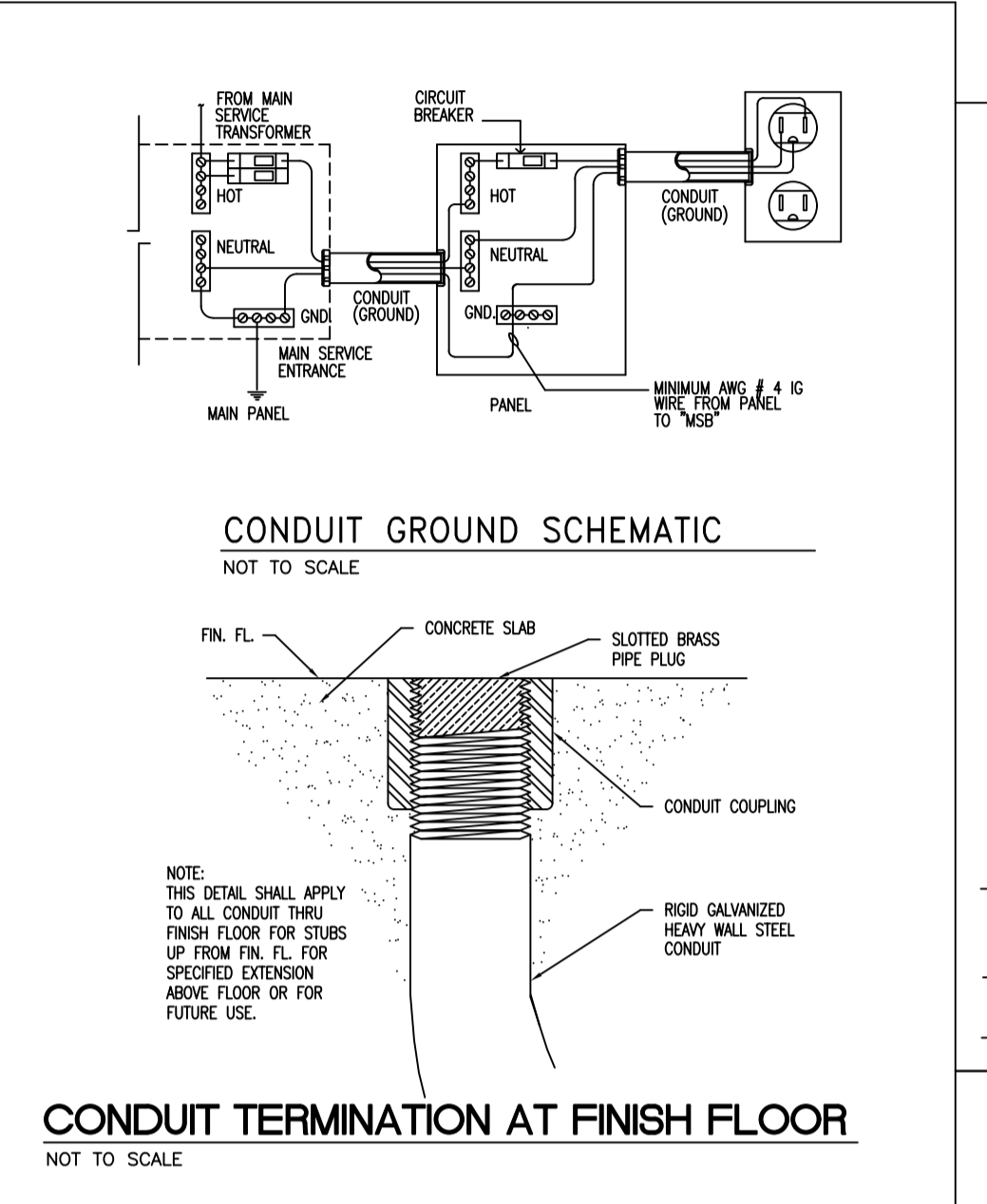
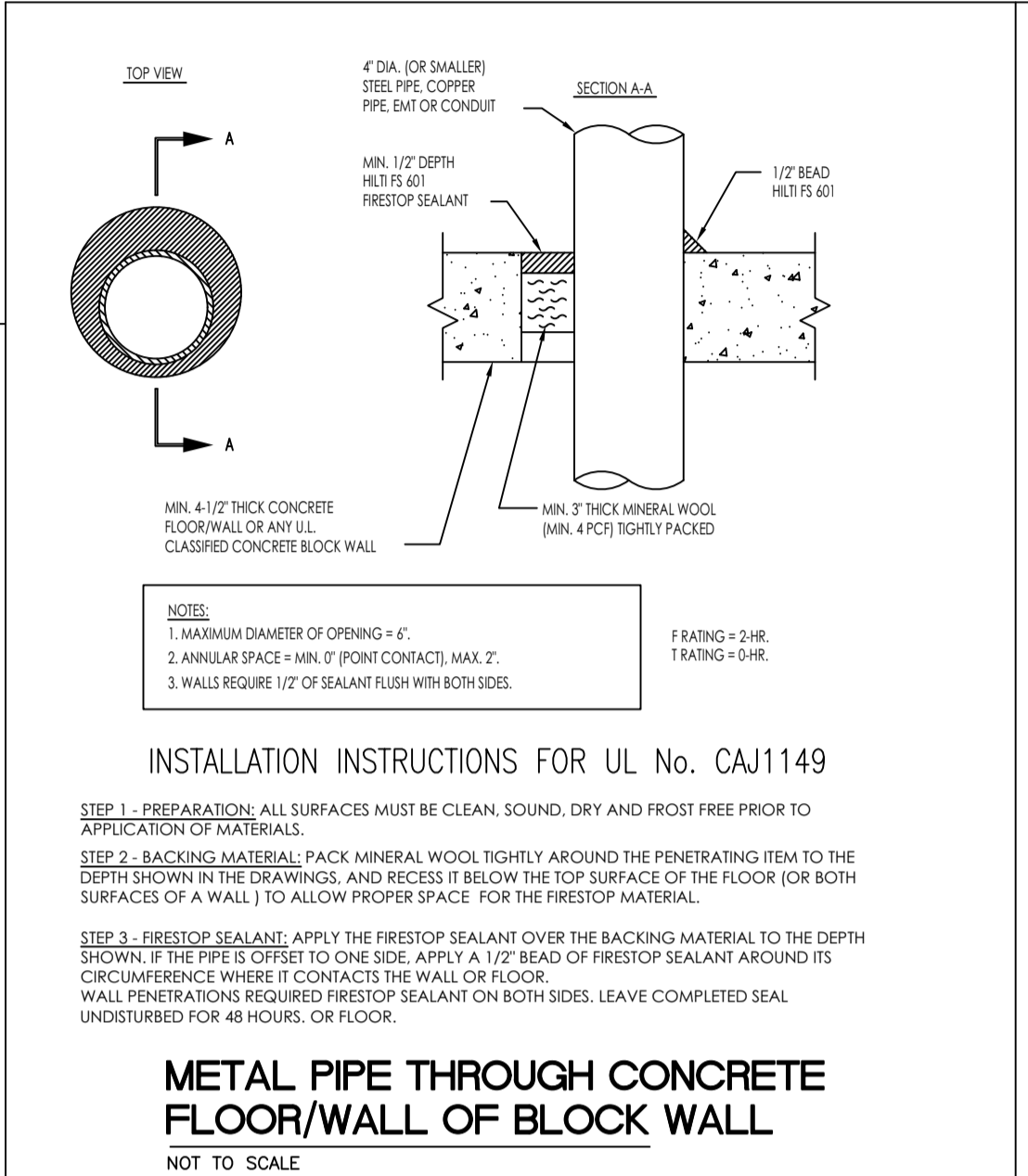
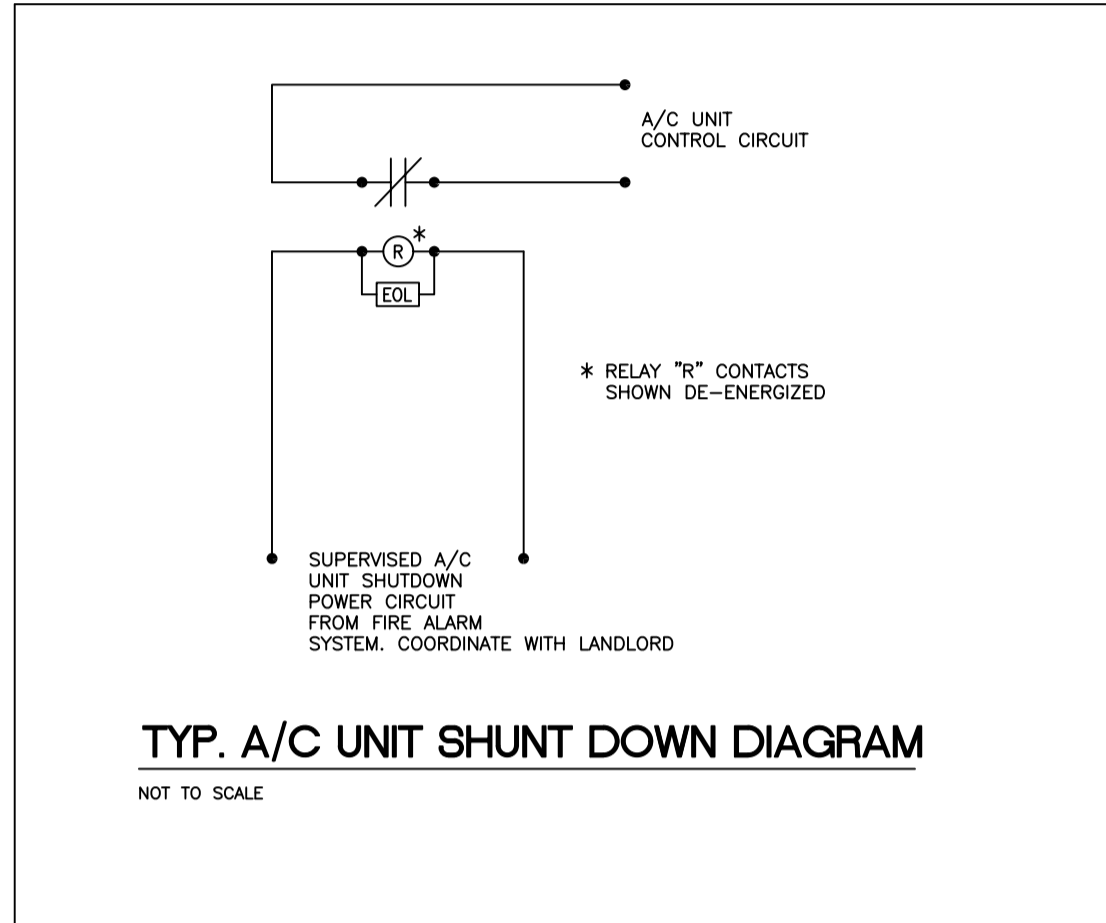
DRAWING TITLE:
ELECTRICAL DETAILS

DRAWN BY: ZM CHECKED BY: JR

SCALE: AS NOTED

PROJECT NUMBER
21189

SHEET
E-501



- NOTES:
- 1 PROVIDE #12 GREEN GROUND WIRE IN FLEXIBLE CONDUIT WITH BRANCH CIRCUIT WIRING AND BOND TO OUTLET BOX AND FIXTURE HOUSING.
 - 2 SECURELY FASTEN FIXTURE TO CEILING FRAMING MEMBERS WITH FOUR (4) T-BAR CLIPS PER FIXTURE. SUPPORT FROM SUSPENDED CEILING ONLY AS APPROVED BY ARCHITECT.
 - 3 9 GA. WIRE SHALL BE USED TO SUSPEND LIGHT FIXTURES FROM EXISTING BUILDING CEILING STRUCTURE.
 - 4 ALL JUNCTION BOXES SHALL BE ACCESSIBLE.
 - 5 FLUORESCENT LIGHT FIXTURES W/ DOUBEL ENDED LAMPS AND CONTAINING A BALLAST SHALL HAVE A DISCONNECTING MEANS DE TO COMPLY WITH NEC