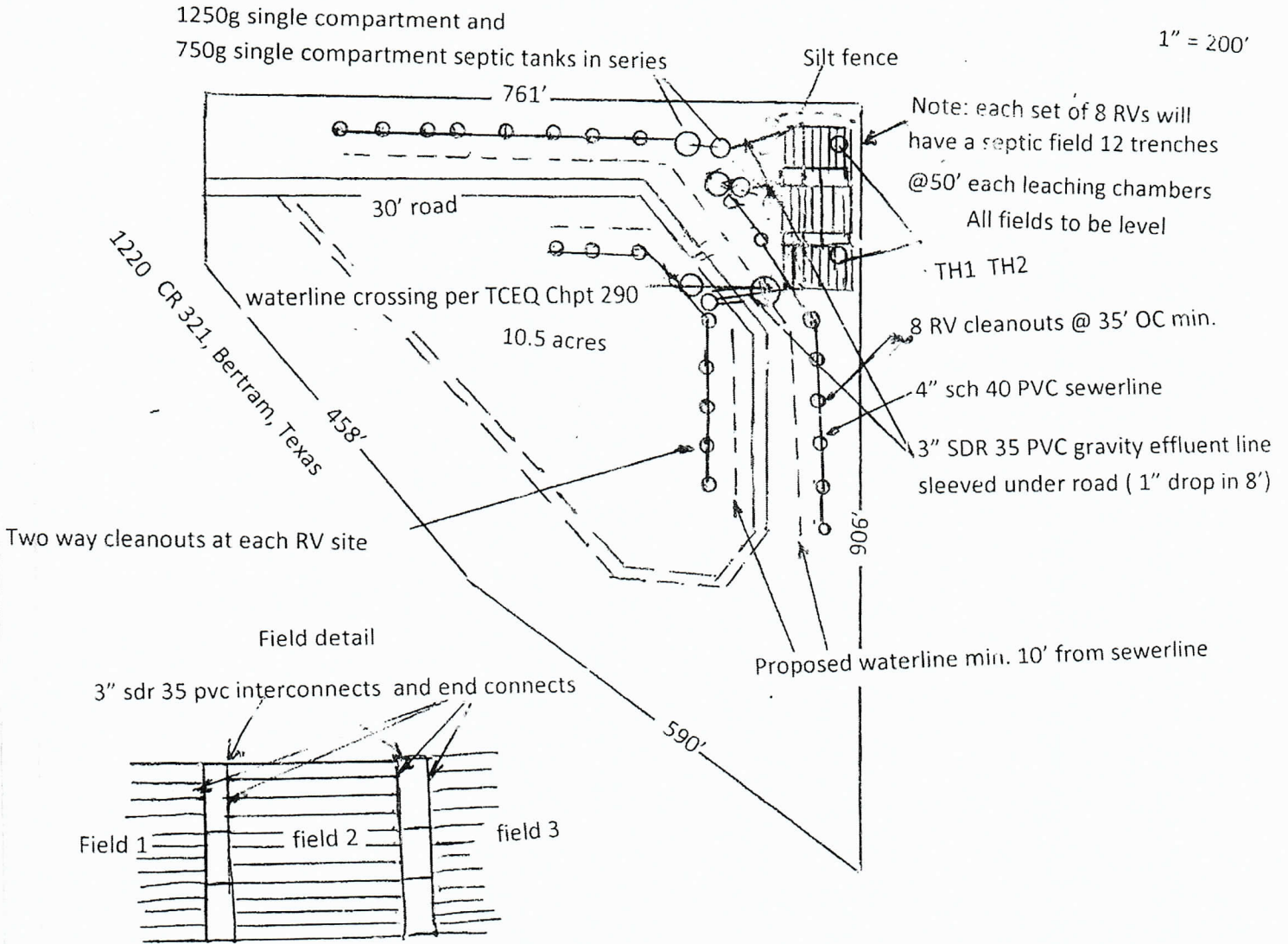


Proposed Conventional Gravity Flow Septic System using Leaching Chambers for: Tacia Beaurline
 Location: 1220 CR 321, Bertram, Texas

Sizing for 24 RV units: 8 rvs per tank set/field Calculations: 24 RV @ 100gpd/Rv = 2400gpd / 0.2 = 12000sf x 0.75 = 9000sf / 5 = 1800lf leaching chambers Use 3 interconnected fields each 12 trenches 50' each



All fields will be constructed level with each other and interconnect piping between fields at trench ends.

*PV Shaw
10/29/2020*



This septic system was designed according to the current CONSTRUCTION STANDARDS FOR ONSITE SEWERAGE FACILITIES of the TCEQ Chapter 285 and Guidelines of the Local Designated Regulatory Authority. The manual above should be used as a guide for installation.
 HIGH AND LAKES ENGINEERING, BOX 1184, KINGSLAND, TEXAS 78639 BRADLEY M. SHAW, PE 44268