

STRUCTURAL ENGINEER

CHRISTOPHER J. KORINEK, P.E., LLC
 TEXAS REGISTERED ENGINEERING FIRM
 P-12449
 5206 N. NAVARRO, SUITE 2008
 VICTORIA, TX 77901



10-S-1.0
 SHEET

PAGE 11 OF 12
 FOUNDATION PLAN

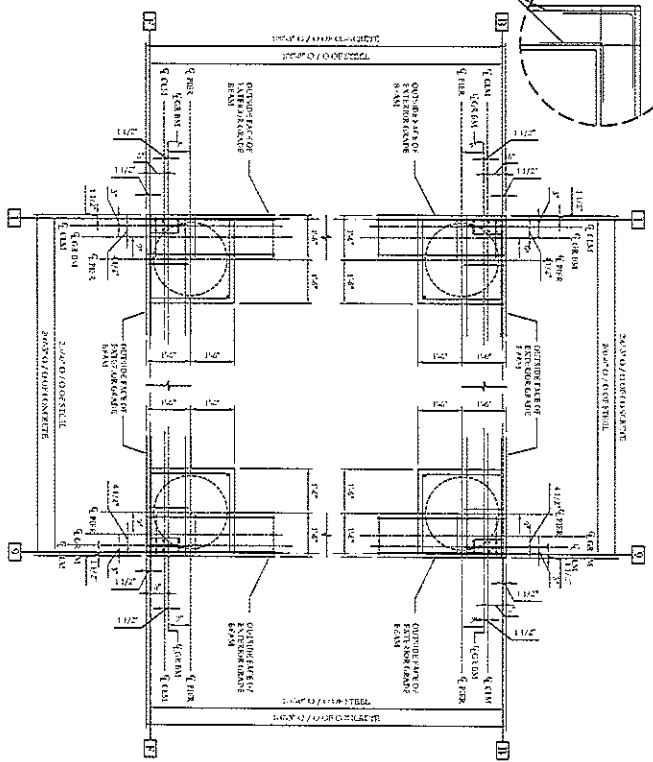
DATE	11/20/08
BY	JK
CHECKED	JK
SCALE	AS SHOWN

CPI
 NEW SHOP
 VICTORIA, TEXAS

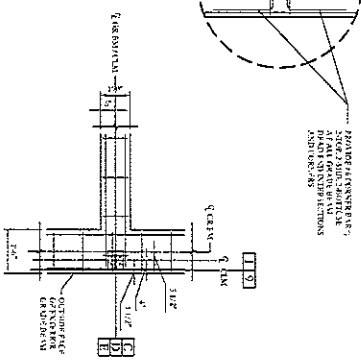


REVISIONS	
NO.	DATE

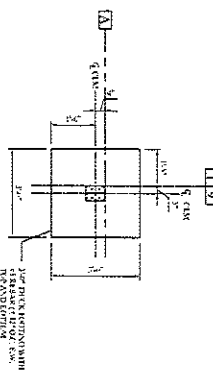
SECTION THROUGH WALL
 2000 LBS. PER LINEAL FOOT
 ALL DIMENSIONS SHOWN
 FORM 81



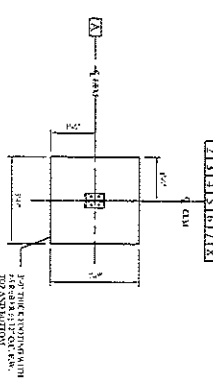
1 PLAN VIEW
 SCALE 1/2" = 1'-0"



4 PLAN VIEW
 SCALE 1/2" = 1'-0"

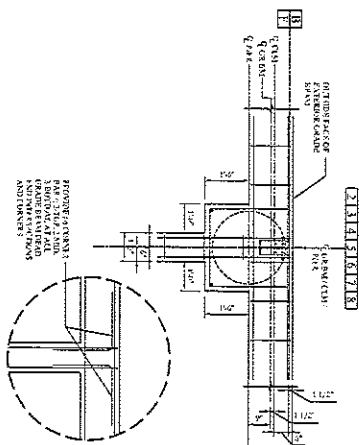


5 PLAN VIEW
 SCALE 1/2" = 1'-0"

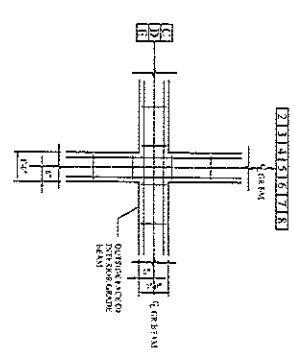


6 PLAN VIEW
 SCALE 1/2" = 1'-0"

CONCRETE NOTES:
 1. CONCRETE SHALL BE 4000 PSI STRENGTH WITH 4% MINIMUM AIR ENTRAINMENT. ALL DIMENSIONS SHOWN UNLESS OTHERWISE NOTED.
 2. ALL CONCRETE SHALL BE CAST IN PLACE AND VIBRATED PROPERLY TO OBTAIN THE DESIRED STRENGTH AND FINISH.
 3. ALL CONCRETE SHALL BE CURIED PROPERLY TO OBTAIN THE DESIRED STRENGTH AND FINISH.
 4. ALL CONCRETE SHALL BE PROTECTED FROM WEATHER AND DAMAGE UNTIL IT HAS GAINED SUFFICIENT STRENGTH TO BE REMOVED FROM FORMS.
 5. ALL CONCRETE SHALL BE PROTECTED FROM WEATHER AND DAMAGE UNTIL IT HAS GAINED SUFFICIENT STRENGTH TO BE REMOVED FROM FORMS.
 6. ALL CONCRETE SHALL BE PROTECTED FROM WEATHER AND DAMAGE UNTIL IT HAS GAINED SUFFICIENT STRENGTH TO BE REMOVED FROM FORMS.
 7. ALL CONCRETE SHALL BE PROTECTED FROM WEATHER AND DAMAGE UNTIL IT HAS GAINED SUFFICIENT STRENGTH TO BE REMOVED FROM FORMS.
 8. ALL CONCRETE SHALL BE PROTECTED FROM WEATHER AND DAMAGE UNTIL IT HAS GAINED SUFFICIENT STRENGTH TO BE REMOVED FROM FORMS.
 9. ALL CONCRETE SHALL BE PROTECTED FROM WEATHER AND DAMAGE UNTIL IT HAS GAINED SUFFICIENT STRENGTH TO BE REMOVED FROM FORMS.
 10. ALL CONCRETE SHALL BE PROTECTED FROM WEATHER AND DAMAGE UNTIL IT HAS GAINED SUFFICIENT STRENGTH TO BE REMOVED FROM FORMS.
 11. ALL CONCRETE SHALL BE PROTECTED FROM WEATHER AND DAMAGE UNTIL IT HAS GAINED SUFFICIENT STRENGTH TO BE REMOVED FROM FORMS.
 12. ALL CONCRETE SHALL BE PROTECTED FROM WEATHER AND DAMAGE UNTIL IT HAS GAINED SUFFICIENT STRENGTH TO BE REMOVED FROM FORMS.



2 PLAN VIEW
 SCALE 1/2" = 1'-0"



3 PLAN VIEW
 SCALE 1/2" = 1'-0"

CONCRETE NOTES:
 1. CONCRETE SHALL BE 4000 PSI STRENGTH WITH 4% MINIMUM AIR ENTRAINMENT. ALL DIMENSIONS SHOWN UNLESS OTHERWISE NOTED.
 2. ALL CONCRETE SHALL BE CAST IN PLACE AND VIBRATED PROPERLY TO OBTAIN THE DESIRED STRENGTH AND FINISH.
 3. ALL CONCRETE SHALL BE CURIED PROPERLY TO OBTAIN THE DESIRED STRENGTH AND FINISH.
 4. ALL CONCRETE SHALL BE PROTECTED FROM WEATHER AND DAMAGE UNTIL IT HAS GAINED SUFFICIENT STRENGTH TO BE REMOVED FROM FORMS.
 5. ALL CONCRETE SHALL BE PROTECTED FROM WEATHER AND DAMAGE UNTIL IT HAS GAINED SUFFICIENT STRENGTH TO BE REMOVED FROM FORMS.
 6. ALL CONCRETE SHALL BE PROTECTED FROM WEATHER AND DAMAGE UNTIL IT HAS GAINED SUFFICIENT STRENGTH TO BE REMOVED FROM FORMS.
 7. ALL CONCRETE SHALL BE PROTECTED FROM WEATHER AND DAMAGE UNTIL IT HAS GAINED SUFFICIENT STRENGTH TO BE REMOVED FROM FORMS.
 8. ALL CONCRETE SHALL BE PROTECTED FROM WEATHER AND DAMAGE UNTIL IT HAS GAINED SUFFICIENT STRENGTH TO BE REMOVED FROM FORMS.
 9. ALL CONCRETE SHALL BE PROTECTED FROM WEATHER AND DAMAGE UNTIL IT HAS GAINED SUFFICIENT STRENGTH TO BE REMOVED FROM FORMS.
 10. ALL CONCRETE SHALL BE PROTECTED FROM WEATHER AND DAMAGE UNTIL IT HAS GAINED SUFFICIENT STRENGTH TO BE REMOVED FROM FORMS.
 11. ALL CONCRETE SHALL BE PROTECTED FROM WEATHER AND DAMAGE UNTIL IT HAS GAINED SUFFICIENT STRENGTH TO BE REMOVED FROM FORMS.
 12. ALL CONCRETE SHALL BE PROTECTED FROM WEATHER AND DAMAGE UNTIL IT HAS GAINED SUFFICIENT STRENGTH TO BE REMOVED FROM FORMS.

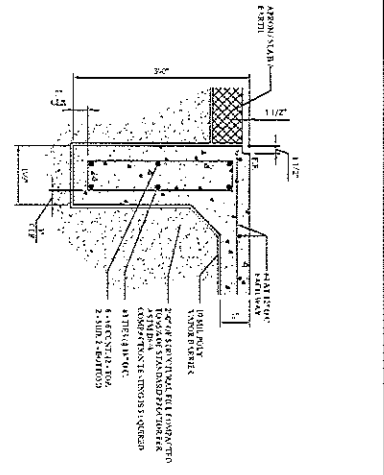
STRUCTURAL ENGINEER
 CHRISTOPHER J. KORINEK, P.E., LLC
 TEXAS REGISTERED ENGINEERING FIRM
 F-12649
 5526 N. NAVARRO, SUITE 300N
 VICTORIA, TX 77904



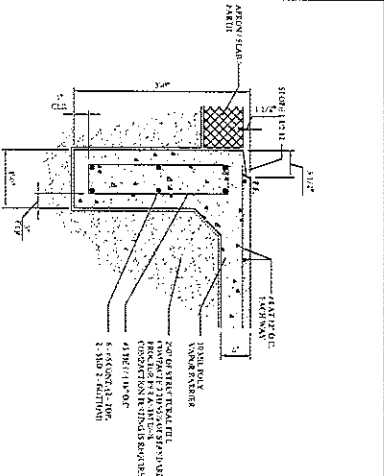
CPI
 NEW SHOP
 VICTORIA, TEXAS

FOUNDATION DETAILS

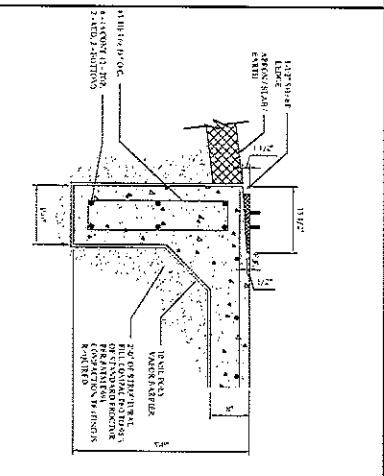
1-1-S
 SHEET



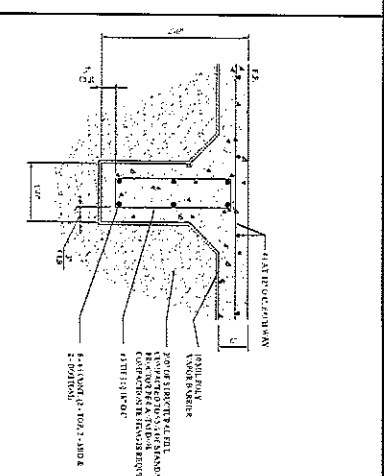
A FOUNDATION SECTION
SCALE: 1/4" = 1'-0"



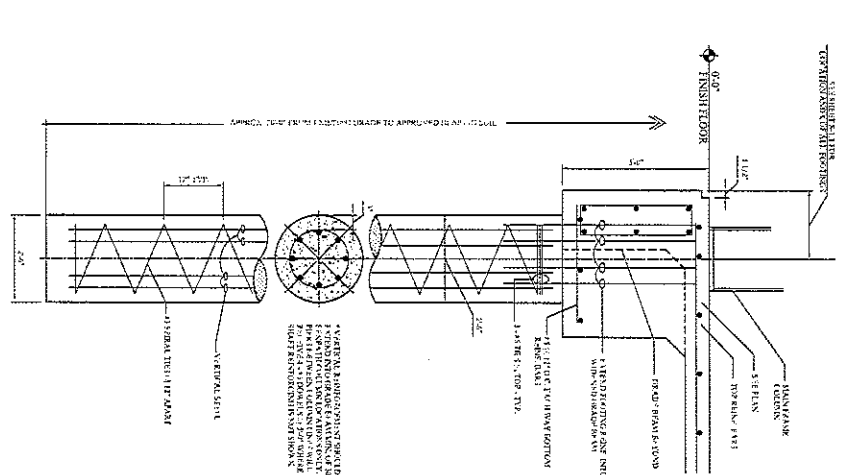
B FOUNDATION SECTION
SCALE: 1/4" = 1'-0"



C FOUNDATION SECTION
SCALE: 1/4" = 1'-0"



D FOUNDATION SECTION
SCALE: 1/4" = 1'-0"

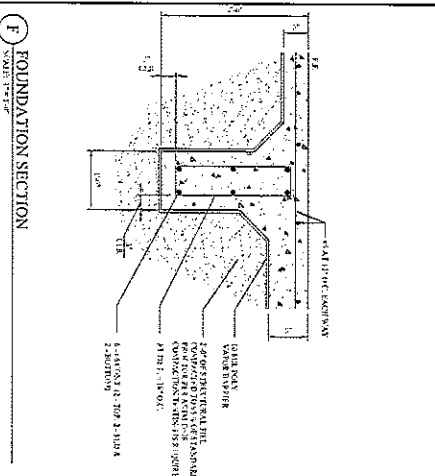


E FOUNDATION SECTION
SCALE: 1/4" = 1'-0"

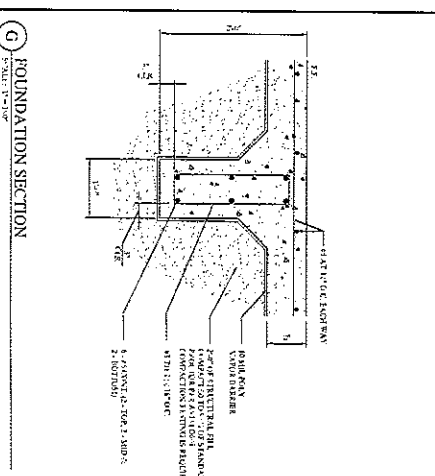
HOISTING REINFORCEMENT SCHEDULE

SHEET SIZE	VERTICAL STEEL	TIES	DOWNERS
SHEET D	#4 @ 24"	#1 SPIRAL	2-7/8" x 20"

NOTE: SEE PLAN FOR LOCATION AND CENTER LINE OF WALL FOOTINGS.



F FOUNDATION SECTION
SCALE: 1/4" = 1'-0"



G FOUNDATION SECTION
SCALE: 1/4" = 1'-0"

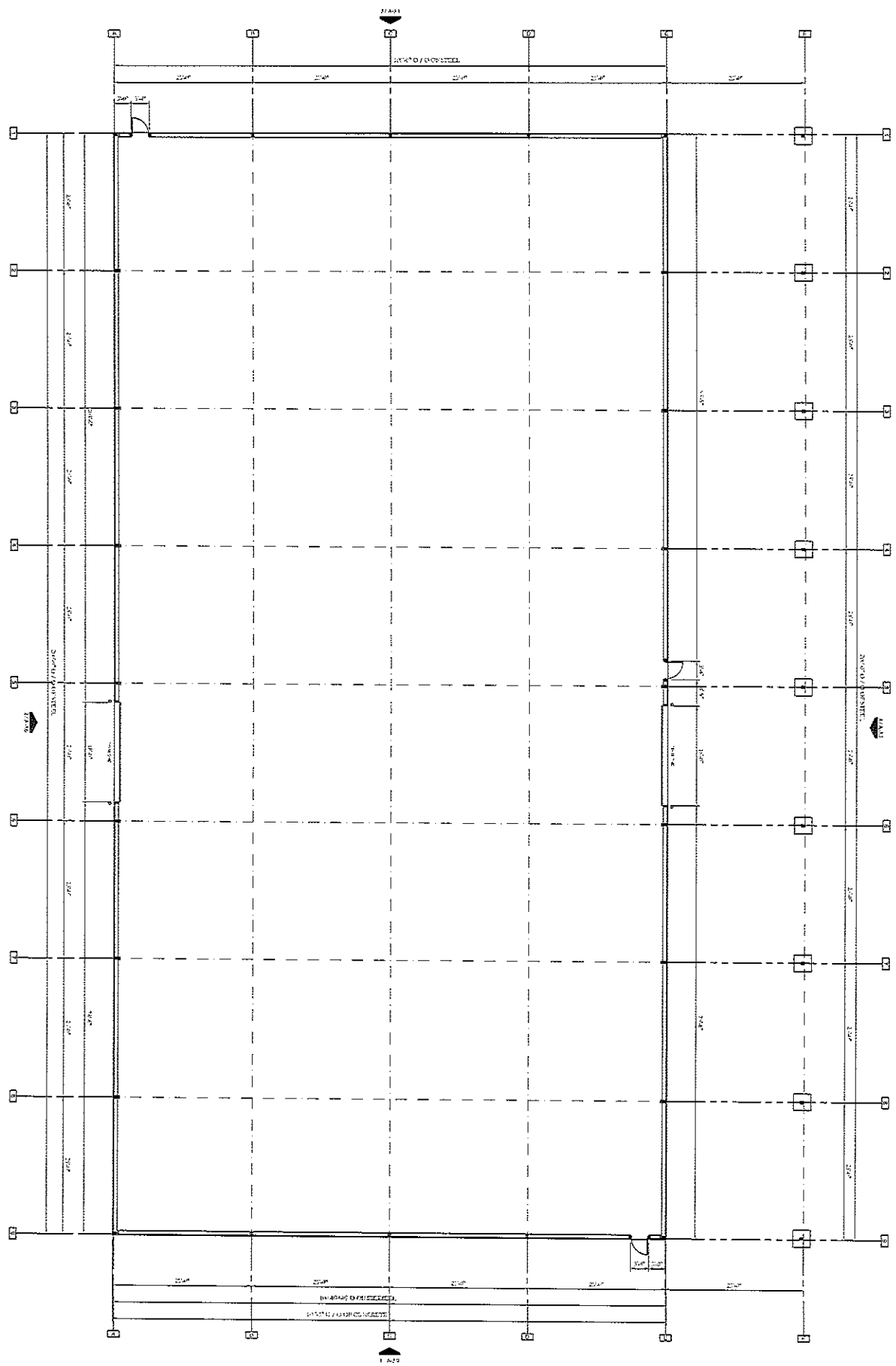
STRUCTURAL ENGINEER

CHRISTOPHER J. KORINEK, P.E., LLC
REGISTERED ENGINEERS & ARCHITECTS
6522 N. NAVARRO, SUITE 200B
VICTORIA, TX 77904



	REVISIONS NO. DESCRIPTION DATE
	CHECKED DATE
PROJECT FOUNDATION DETAILS	CLIENT CPI NEW SHOP VICTORIA, TEXAS
DRAWING NO. 17-15	SHEET

1 FLOOR PLAN
SCALE 1/8" = 1'-0"



A-1.0
SHEET

PAGE TITLE
FLOOR PLAN

DATE
11.11.2020
DRAWN BY
REVIEWED BY

CPI
NEW SHOP
VICTORIA, TEXAS

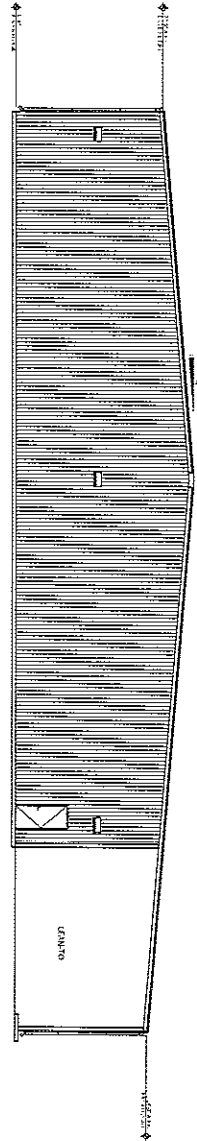
DATE



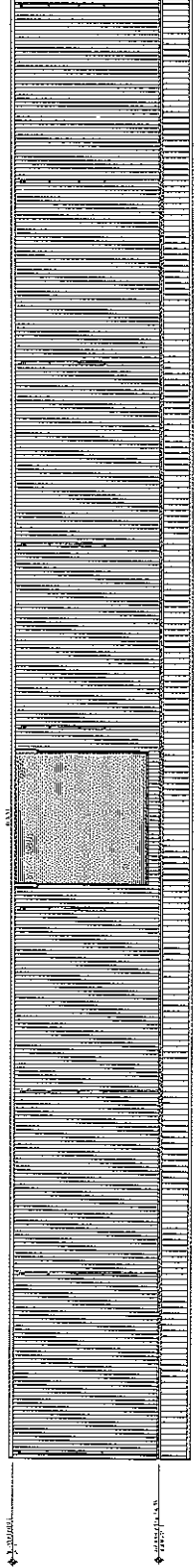
NO.	REVISION

APPROVED

1 PLAN EAST EXTERIOR ELEVATION
SCALE: 1/8" = 1'-0"



2 PLAN SOUTH EXTERIOR ELEVATION
SCALE: 1/8" = 1'-0"



A-3.0

PACK TITLE
EXTERIOR ELEVATIONS
SHEET

DATE	06/23/2016
BY	20160623/2016
SCALE	1/8" = 1'-0"
PROJECT	000000000000
LAYOUT	

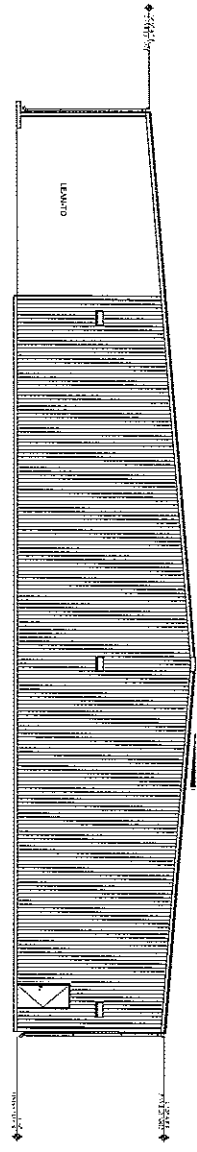
CPI
NEW SHOP
VICTORIA, TEXAS

DATE	
------	--

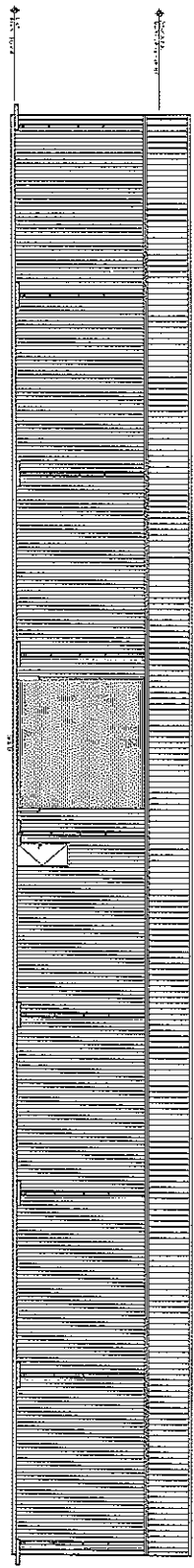


REVISIONS	

3 PLAN WEST EXTERIOR ELEVATION
SCALE 1/8"=1'-0"



4 PLAN NORTH EXTERIOR ELEVATION
SCALE 1/8"=1'-0"



A-3.1
SHEET

PAGE TITLE
EXTERIOR ELEVATIONS

DATE
DESIGNED BY
DRAWN BY
CHECKED BY
DATE

CPI
NEW SHOP
VICTORIA, TEXAS

CLIENT

Lauger
ARCHITECTS
CONSULTANTS
INC.

REVISION	