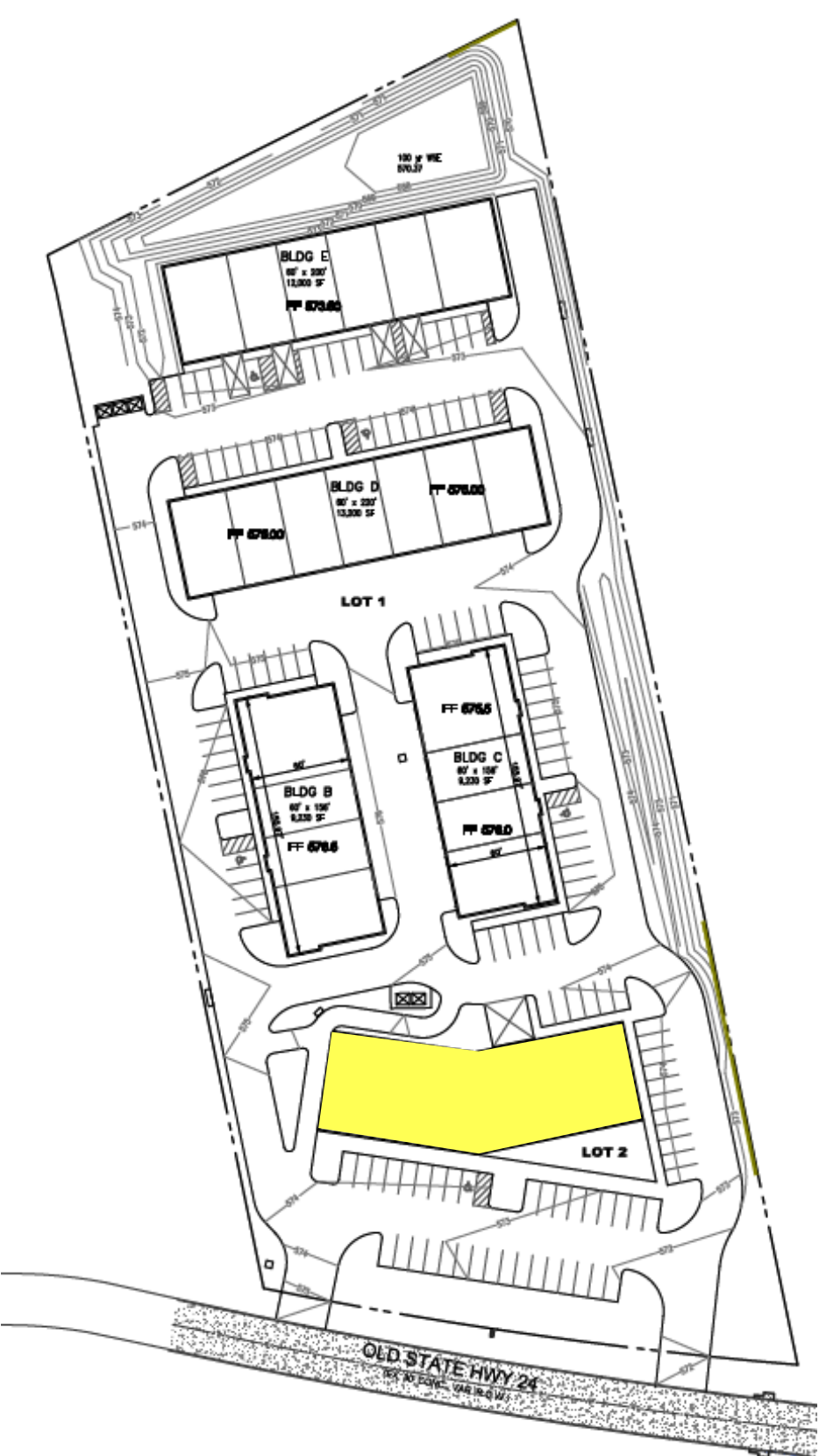
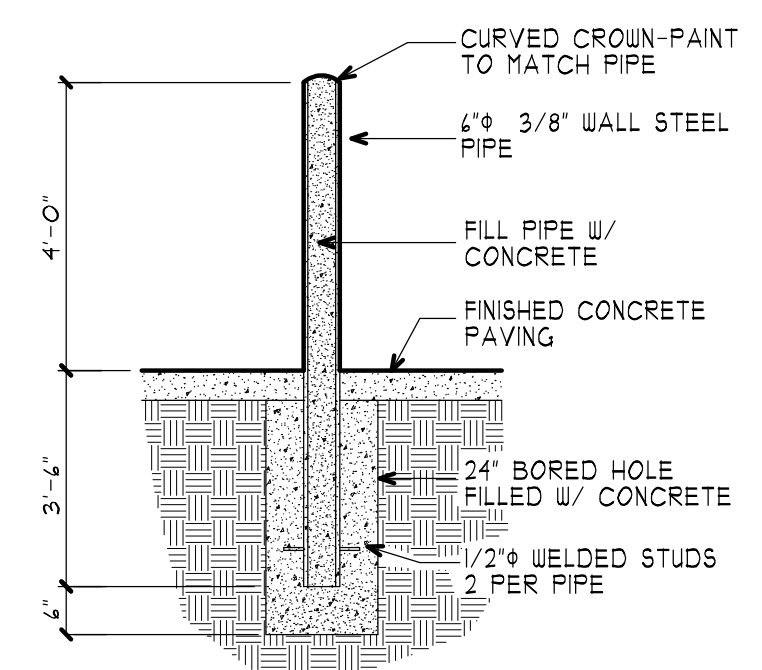
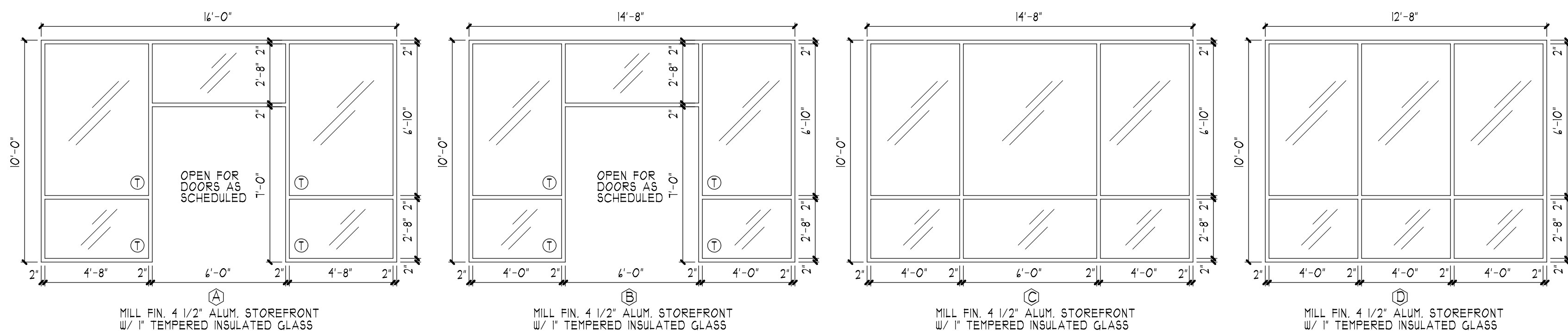


**1 BUILDING 'A' FLOOR PLAN**  
 SCALE: 1/8" = 1'-0" 10,842 SF.

**3 BOLLARD DETAIL**  
 SCALE: 1/2" = 1'-0"

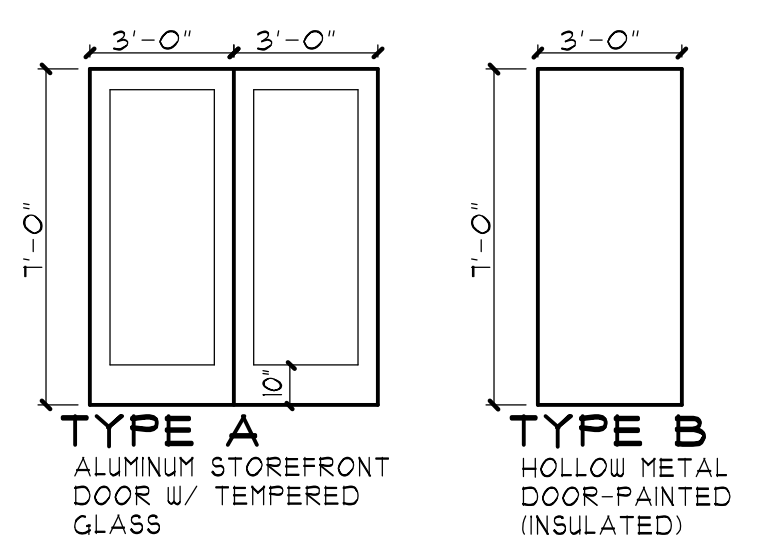


**2 SITE PLAN**  
 NO SCALE



**WINDOW SCHEDULE**  
 SCALE: 1/4" = 1'-0"

DOOR SCHEDULE						
NO.	DOOR TYPE	MAT	DOOR SIZE	DOOR THICK.	FRAME LABEL	REMARKS
100	A	ALUM.	2'-3 3/4" x 7'-0"	1 3/4"	ALUM.	LOCK & CLOSER w/ 1/2" MAX. HT. THRESHOLD
101	A	ALUM.	2'-3 3/4" x 7'-0"	1 3/4"	ALUM.	LOCK & CLOSER w/ 1/2" MAX. HT. THRESHOLD
102	A	ALUM.	2'-3 3/4" x 7'-0"	1 3/4"	ALUM.	LOCK & CLOSER w/ 1/2" MAX. HT. THRESHOLD
103	A	ALUM.	2'-3 3/4" x 7'-0"	1 3/4"	ALUM.	LOCK & CLOSER w/ 1/2" MAX. HT. THRESHOLD
104	A	ALUM.	2'-3 3/4" x 7'-0"	1 3/4"	ALUM.	LOCK & CLOSER w/ 1/2" MAX. HT. THRESHOLD
105	A	ALUM.	2'-3 3/4" x 7'-0"	1 3/4"	ALUM.	LOCK & CLOSER w/ 1/2" MAX. HT. THRESHOLD
106	B	H.M.	3'-0" x 7'-0"	1 3/4"	H.M.	LOCK PER FIRE MARSHAL SPECIFICATIONS
107	B	H.M.	3'-0" x 7'-0"	1 3/4"	H.M.	LOCK AND CLOSER
108	B	H.M.	3'-0" x 7'-0"	1 3/4"	H.M.	LOCK AND CLOSER
109	B	H.M.	3'-0" x 7'-0"	1 3/4"	H.M.	LOCK AND CLOSER
110	B	H.M.	3'-0" x 7'-0"	1 3/4"	H.M.	LOCK AND CLOSER
III	B	H.M.	3'-0" x 7'-0"	1 3/4"	H.M.	LOCK AND CLOSER



**DOOR TYPES**  
 SCALE: 1/4" = 1'-0"