

FIXTURE SCHEDULE

ALL FIXTURES TO BE WHITE, AND EQUAL TO THE FOLLOWING:

MARK	DESCRIPTION	MANUFACTURER / MODEL	CONNECTION SIZES			
			W	V	CW	HU
WC-1	WATER CLOSET-H/C	OWNER TO SELECT	3"	2"	1/2"	--
WC-2	WATER CLOSET	OWNER TO SELECT	3"	2"	1/2"	--
UR-1	URINAL	OWNER TO SELECT	3"	2"	3/4"	--
S-1	SINK	OWNER TO SELECT	2"	1 1/2"	1/2"	1/2"
L-1	LAV: WALL HUNG H/C FAUCET CARRIER SUPPLY SET	OWNER TO SELECT DELTA MODEL 923LF-HGMHDF SINGLE LEVER BLOCKING AS REQUIRED BRASS CRAFT CR192AC W/ H/C STOP & SUPPLY INSULATION KIT	1 1/2"	1 1/2"	1/2"	1/2"
L-2	LAV: DROP-IN FAUCET SUPPLY SET	OWNER TO SELECT DELTA MODEL 923LF-HGMHDF SINGLE LEVER BRASS CRAFT CR192AC	1 1/2"	1 1/2"	1/2"	1/2"
EWC-1	ELECTRIC WATER COOLER	OASIS P8AC8L	2"	1 1/2"	-	1/2"
TP	TRAP PRIMER	PRECISION PLUMBING PRODUCTS OREGON #1	3"			
FD	FLOOR DRAIN	OWNER TO SELECT	3"	2"		
HE-1	HOSE BIBB	OWNER TO SELECT			3/4"	
MS-1	MOP SINK	FIAT MODEL: M8BID 2424100	3"	2"	3/4"	

PLUMBING SPECIFICATIONS

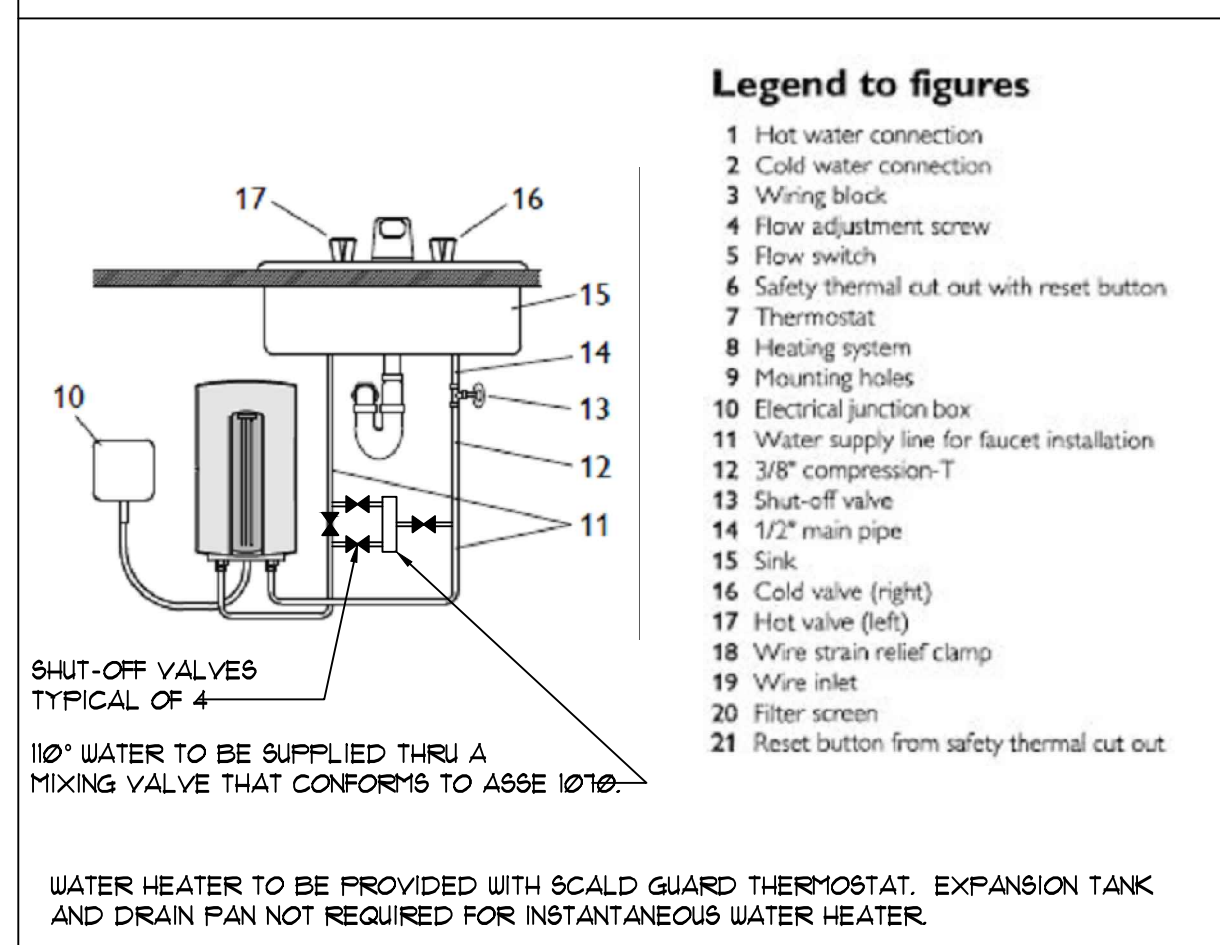
1. PLUMBING CONTRACTOR SHALL FURNISH AND INSTALL COMPLETE SANITARY AND DOMESTIC WATER PIPING SYSTEMS, INCLUDING ALL ASSOCIATED DEVICES, EQUIPMENT, CONTROLS, AND CONNECTIONS TO EXISTING SERVICES, SUPPORTS, AND HARDWARE REQUIRED FOR THE SATISFACTORY OPERATION OF THE SYSTEMS, WHETHER SPECIFICALLY SHOWN OR NOT. PLUMBING CONTRACTOR SHALL PROVIDE ROUTING AND OFFSETS NECESSARY TO AVOID CONFLICT WITH STRUCTURE, FINISHES, AND WORK OF OTHER TRADES; THE DRAWINGS INDICATE IN GENERAL THE ROUTING, AND DO NOT SHOW ALL REQUIRED PIPING, FITTINGS, OFFSETS, ETC.
2. SANITARY DRAIN, WASTE AND VENT PIPING IS TO BE SCHED 40 PVC, NO-HUB CAST IRON OR TYPE L HARD COPPER TUBE ABOVE AND BELOW GROUND. ALL EXPOSED PIPING IN FINISHED SPACES IS TO BE CHROME PLATED.
3. DOMESTIC WATER PIPING IS TO BE SCHEDULE 40 CPVC OR TYPE L COPPER TUBING WITH ALL EXPOSED PIPING IN FINISHED SPACES IS TO BE CHROME PLATED. PLUMBING CONTRACTOR IS TO PROVIDE WATER HAMMER ARRESTORS OR AIR CHAMBER AS REQUIRED TO ELIMINATE WATER HAMMER AND TO COMPLY WITH THE REQUIREMENTS OF THE LOCAL AUTHORITIES.
4. ALL HOT WATER AND HOT WATER RECIRCULATING PIPING TO BE INSULATED WITH 1" PIPE INSULATION PER THE FLORIDA STATE ENERGY CODE.
5. VERIFY LOCATIONS, SIZES, AND INVERT ELEVATIONS OF SANITARY DRAIN, VENT, AND DOMESTIC WATER PIPING CONNECTIONS PRIOR TO PROCEEDING WITH THE INSTALLATION OF ANY NEW WORK. SHOULD ANY DISCREPANCIES BE DISCOVERED CONTRACTOR SHALL OBTAIN DIRECTION FROM THE ENGINEER BEFORE PROCEEDING.
6. ALL PLUMBING WORK SHALL CONFORM TO ALL STATE AND LOCAL CODES, RULES, AND REGULATIONS.
7. PLUMBING CONTRACTOR SHALL OBTAIN ALL NECESSARY PERMITS AT HIS EXPENSE.
8. COORDINATE PLUMBING WORK WITH THE WORK OF OTHER TRADES.
9. PROVIDE LISTED FIRESTOPPING PIPE PENETRATION ASSEMBLIES AT ALL PIPING THROUGH RATED WALLS AND ASSEMBLIES.
10. INSTALL ALL WORK TO COMPLY WITH ADA REQUIREMENTS.
11. COORDINATE ALL CLEANOUTS WITH ARCHITECTURAL PRIOR TO INSTALLATION.
12. THE CONTRACTOR SHALL VISIT THE SITE AND ALLOW FOR ALL EXISTING CONDITIONS IN HIS BID.

NOTE: CONTRACTOR SHALL BE RESPONSIBLE FOR VERIFYING FIELD CONDITIONS. CONTRACTOR SHALL VISIT SITE AND CONFIRM ALL EXISTING SYSTEMS PRIOR TO SUBMITTING BID. ARCHITECT TO BE NOTIFIED OF ANY CONCERNS OR POTENTIAL PROBLEMS.

ELECTRIC WATER HEATER SCHEDULE

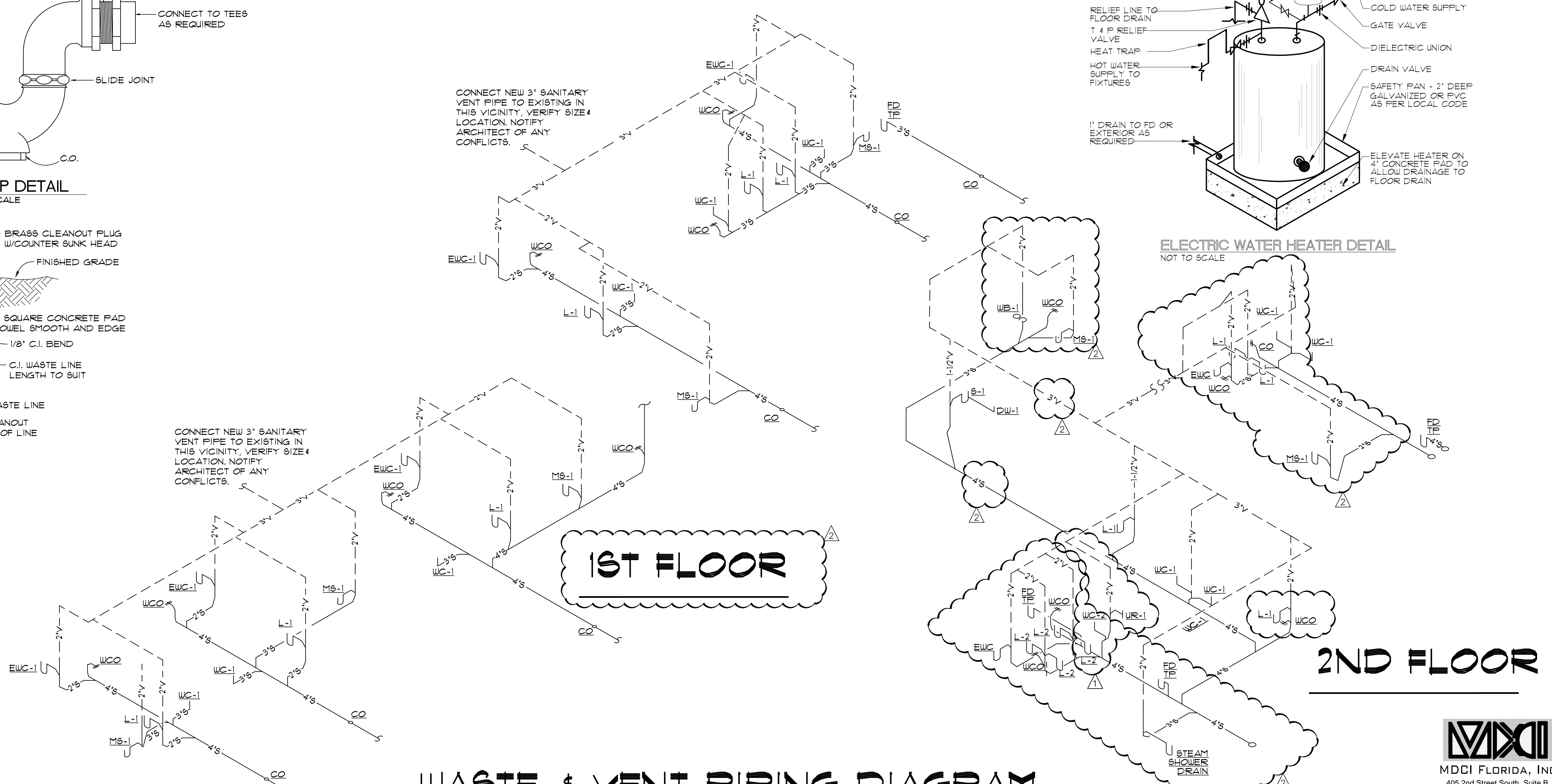
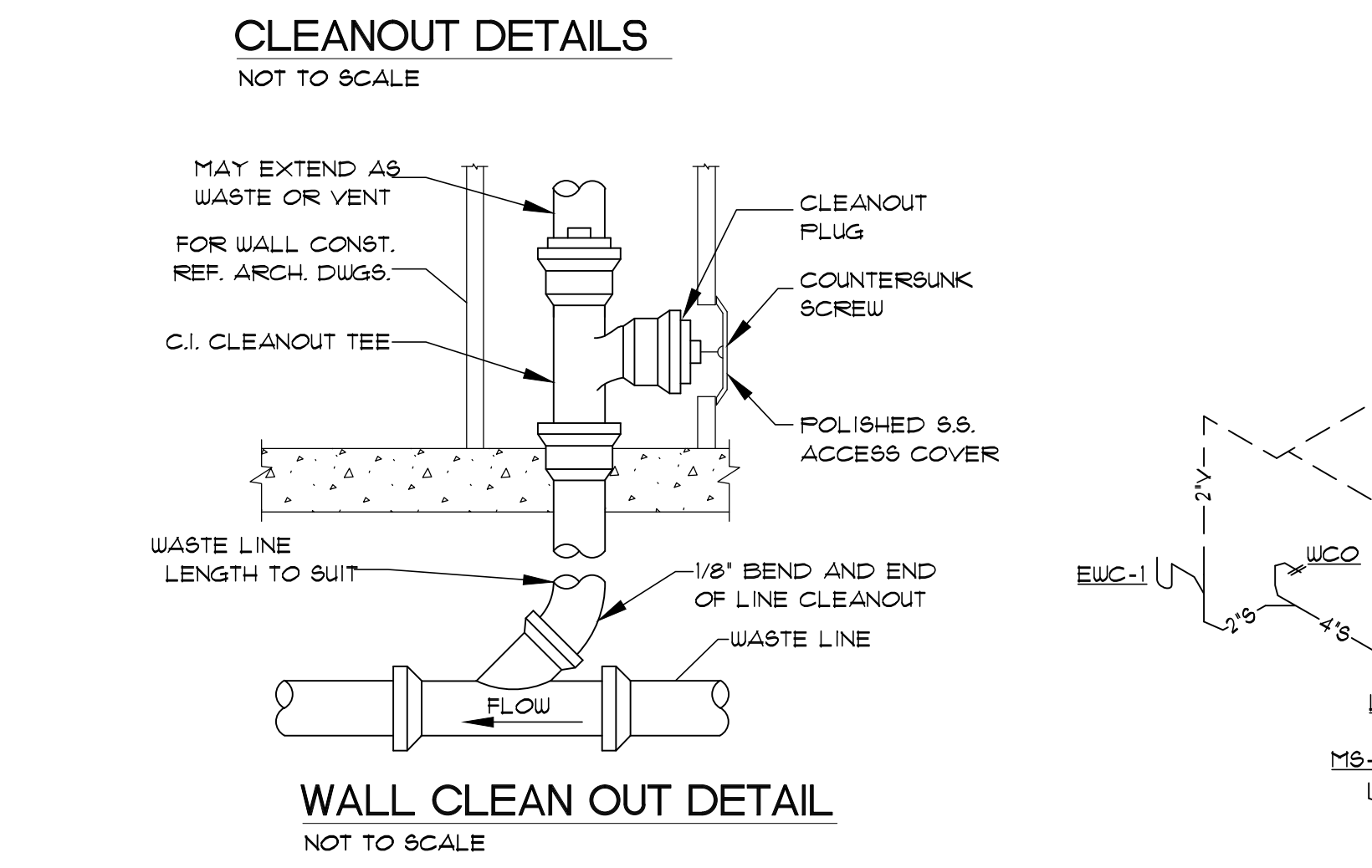
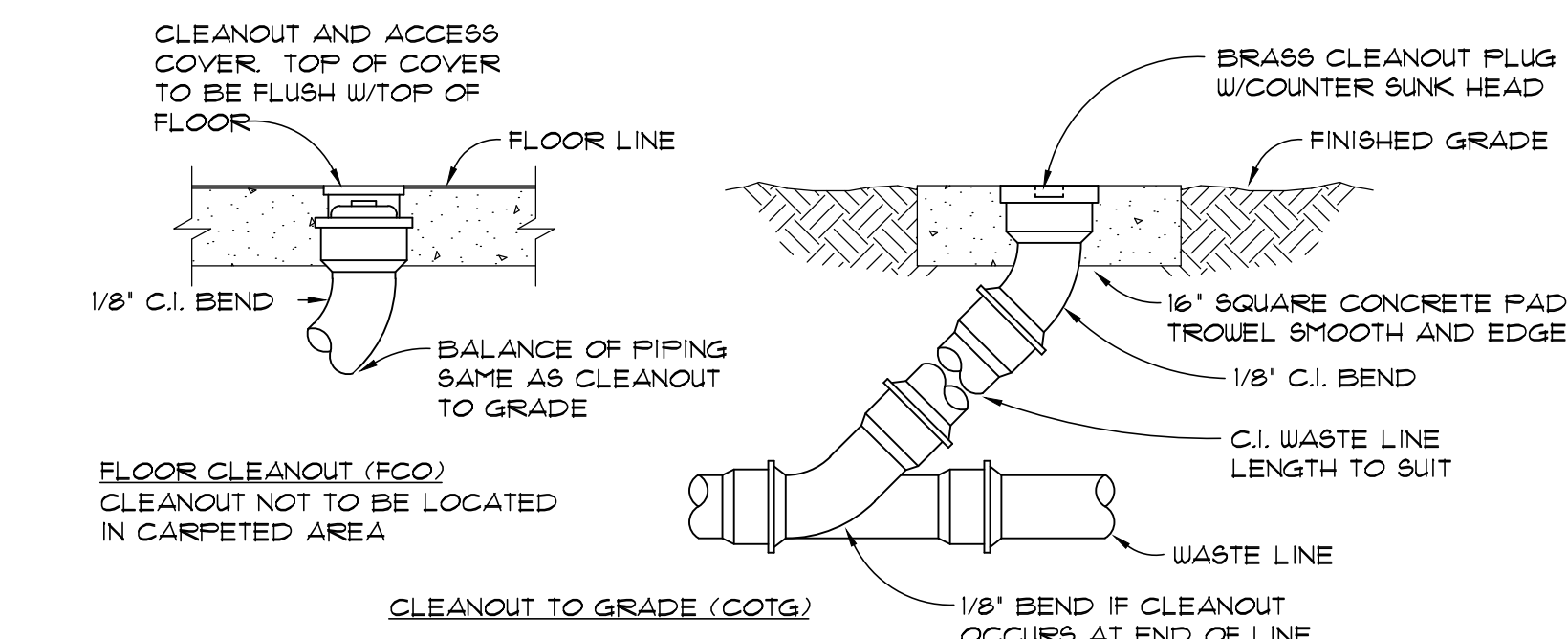
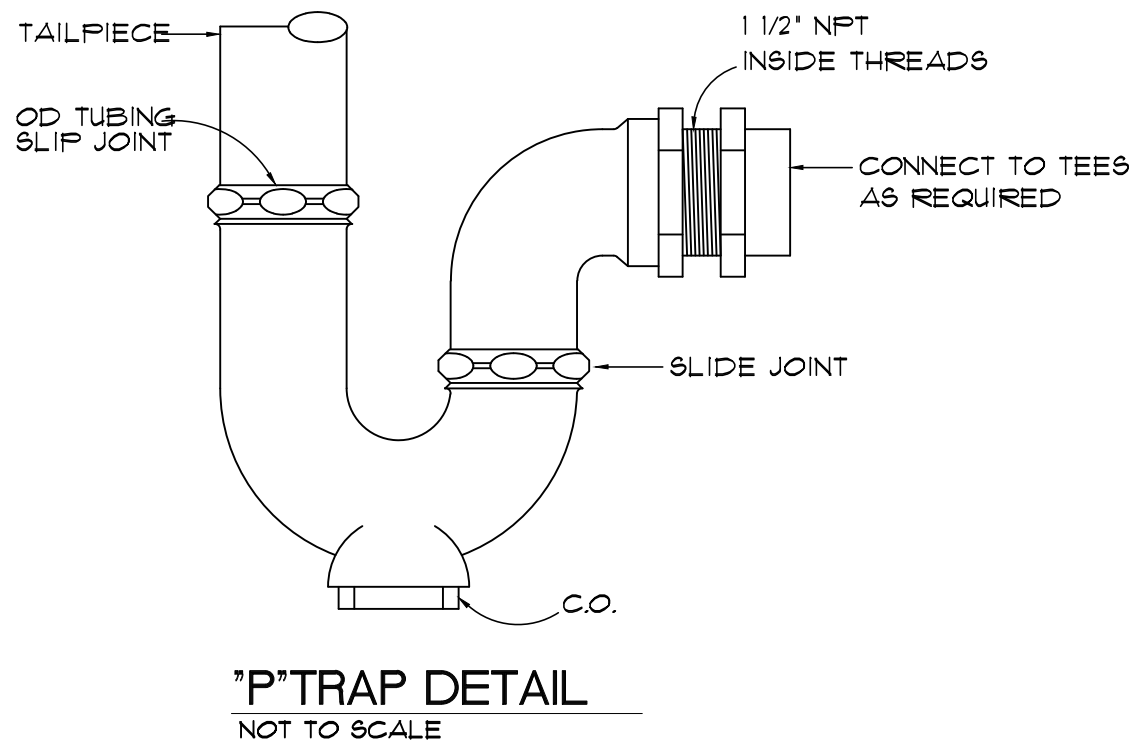
SYSTEM	TYPE	NO. REQ'D	MGFR	MODEL NO.	EWT	LUT	STORAGE CAPACITY	FLOW RECOVERY	TANK SIZE	REMARKS
DOMESTIC (EWH-1)	ELEC	8	STIEBEL ELTRON	DHCA-1	60	109	--	491 # 0.5 GPM	15' X 8'	3.6 KW # 208/1
DOMESTIC (EWH-2)	ELEC	1	A.O. SMITH	DEL-30	60	114	30 GAL.	541 # 0.56 GPM	15' X 8'	(2) 4.5 KW # 208/1

ELECTRICAL INSTANTANEOUS WATER HEATER INSTALLATION



PLUMBING SYMBOL LEGEND

- FCO FLOOR CLEANOUT
- WCO WALL CLEANOUT
- SANITARY
- EXISTING SANITARY
- EXISTING DOMESTIC WATER
- DOMESTIC HOT WATER
- DOMESTIC COLD WATER
- VENT
- EXISTING VENT
- 3 CAP
- OFD FLOOR DRAIN
- GATE OR BALL VALVE
- COLD OR HOT WATER DN
- COLD OR HOT WATER UP
- VTR VENT THROUGH ROOF



WASTE & VENT PIPING DIAGRAM

ISSUED FOR:
permit

JULY 23, 2019

GARLAND PATTERSON, P.E.
PE 14178

N.O.F.
CORPORATE OFFICE
6130 22nd AVE. NORTH
ST. PETERSBURG, FLORIDA 33710

SOFARELLI & ASSOCIATES ARCHITECTURE
A.I.A.
MICHAEL F. SOFARELLI JR.
6365 142nd AVENUE NORTH
CLEARWATER, FLORIDA 33780
17271 530-3535
FAX-530-4419
EMAIL: sofarell@sofarell.com

Revisions:

NO.	REVISION	DATE
1	REVIEWER COMMENTS	7/23/18

Content:
PLUMBING SCHEDULES, NOTES, DETAILS & RISERS

Filename: NOF

Date: 01-29-2018

Proj. no: 17070

Sheet: P-5

MDCI
MDCI FLORIDA, INC
405 2nd Street South, Suite B
Safety Harbor, Florida 34695
Mechanical - Electrical - Plumbing
Phone 727.698.0398