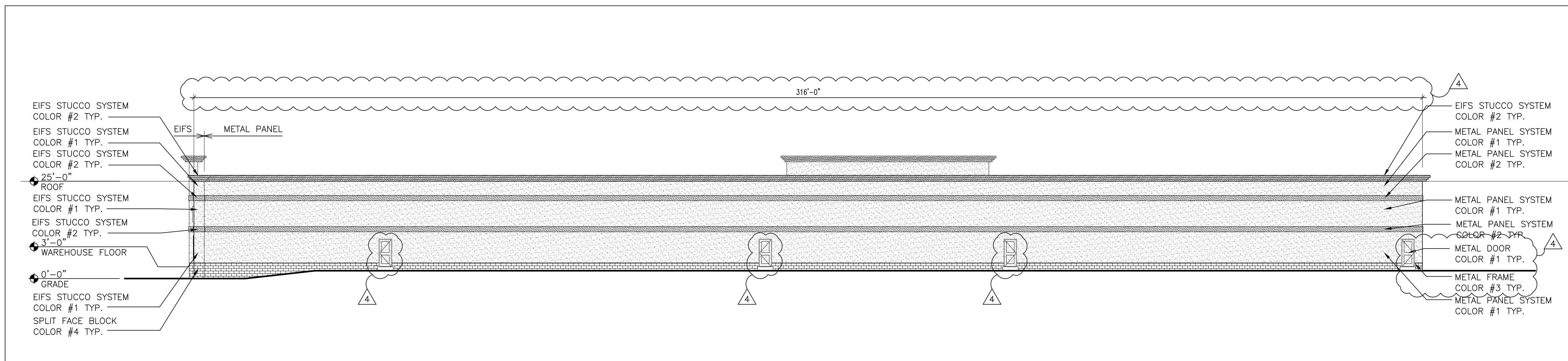


4 EAST ELEVATION
SCALE: 1/16"=1'-0"



3 WEST ELEVATION
SCALE: 1/16"=1'-0"

LEGEND

COLOR #1
EIFS: 102 BRITE WHITE
METAL PANEL: ALMOND

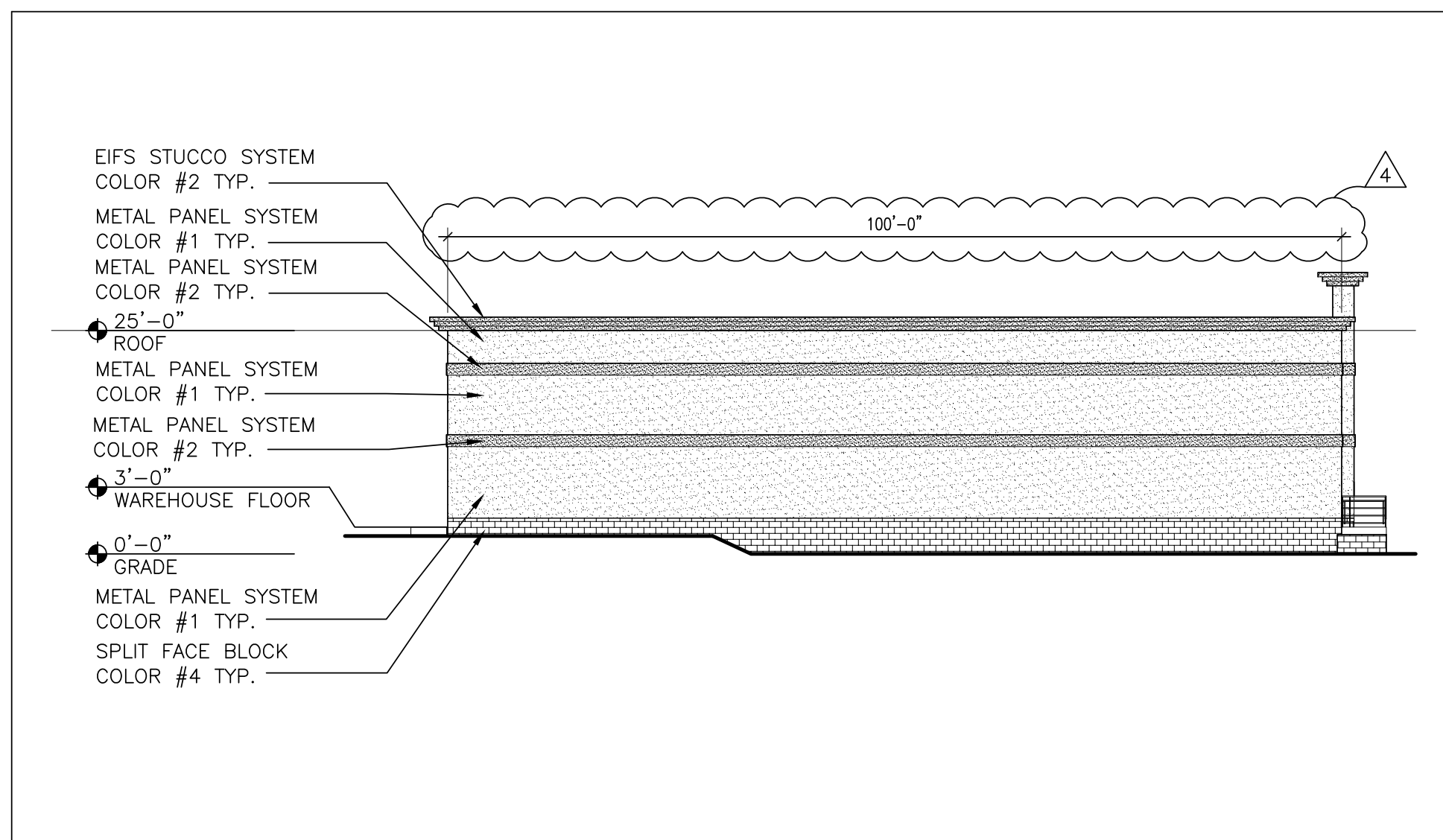
COLOR #2
EIFS: 450A CLOVER
METAL PANEL: BROWNSTONE

COLOR #3
EIFS: N/A
METAL PANEL: CHARCOAL GRAY

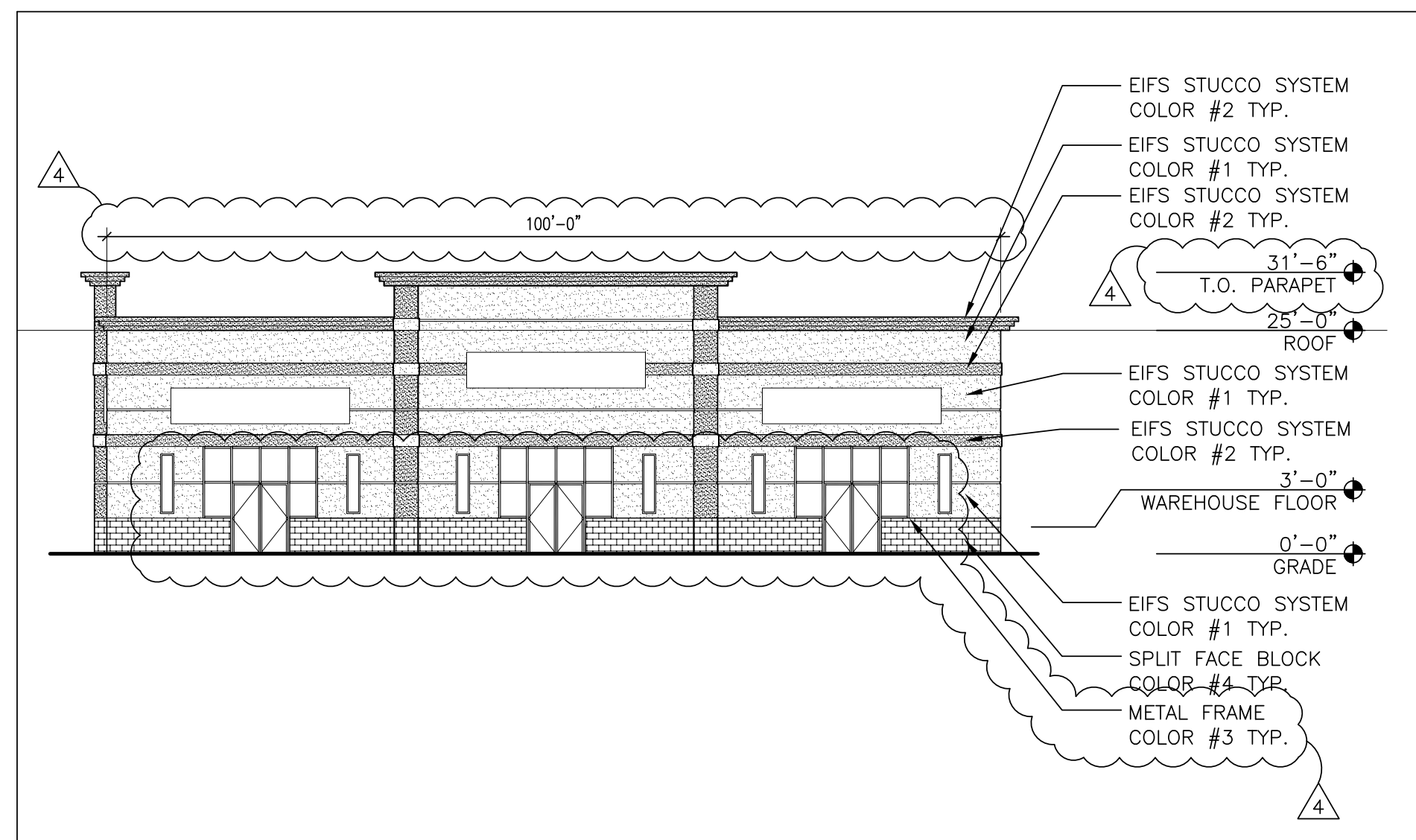
COLOR #4
SPLIT FACE BLOCK: ULSTER WHEAT

EIFS BY DRYVIT IN SANDPEBBLE FINE FINISH
METAL PANEL BY MBCI, SIGNATURE 300
BLOCK BY KINGSTON BLOCK & MASONRY,
POZZOTIVE BRICK

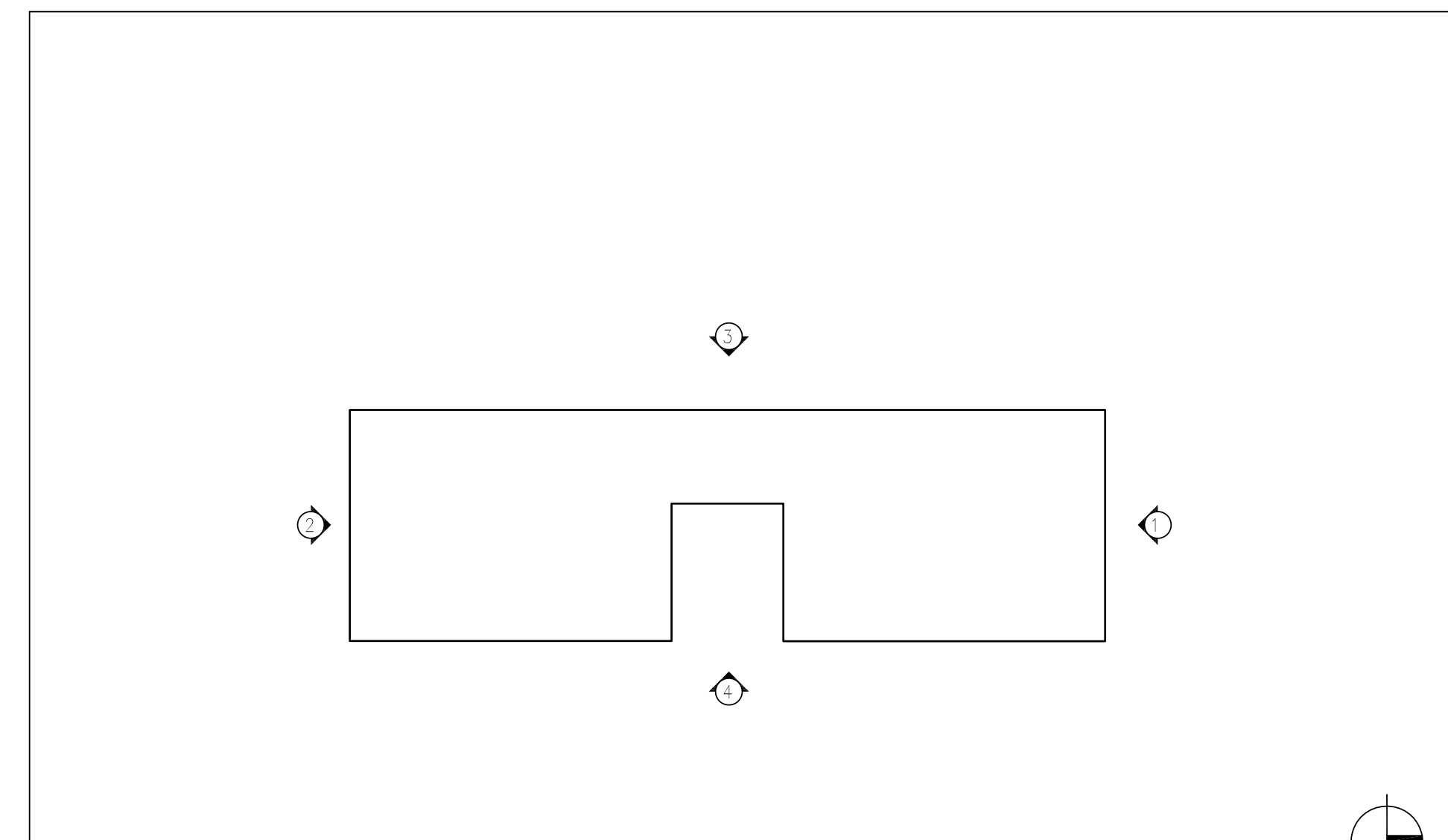
NOTE: COLUMNS AND CORNICES TO BE EIFS



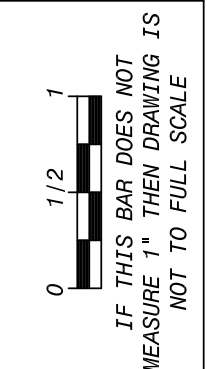
2 SOUTH ELEVATION
SCALE: 1/16"=1'-0"



1 NORTH ELEVATION
SCALE: 1/16"=1'-0"



KEY PLAN



IT IS A VIOLATION OF THE LAW FOR ANY PERSON, UNLESS ACTING UNDER THE DIRECTION OF A LICENSED ARCHITECT, TO ALTER AN ITEM IN ANY WAY.

No.	Date	Revisions
4	10-14-20	FOR ARB REVIEW
3	09-24-20	FOR ARB SUBMISSION
2	02-10-20	OWNER REVISIONS
1	10-11-19	FOR ARB USE ONLY

Drawn by	ML
Checked by	MS/JC
Project No.	39059
Scale	AS NOTED
Date	09/30/19

Mechanical & Electrical Engineer.	Structural Engineer.
-----------------------------------	----------------------

RETAIL AND WAREHOUSE AT 9 HOLT DRIVE

TOWN OF STONY POINT
COUNTY OF ROCKLAND

9 HOLT DRIVE
STONY POINT, NY 10980

MSA

MICHAEL SHILALE ARCHITECTS, L.L.P.

140 Park Avenue
New York, NY 10022
Tel: 646-708-6200
www.mshale.com

ELEVATIONS

Drawing No. **A-200**

© COPYRIGHT, MICHAEL SHILALE ARCHITECTS, ALL RIGHTS RESERVED.