

SPARKS GRIZZARD

CONSTRUCTION INC.

SNELLVILLE, GEORGIA

NOTES:

BOLTED CONNECTIONS WILL BE ASSEMBLED AND TESTED ACCORDING TO "SPECIFICATIONS FOR STRUCTURAL JOINTS USING ASTM A325 OR ASTM A490 BOLTS".

"STRUCTURAL WELDING CODE" BY AMERICAN WELDING SOCIETY. PROOF OF WELDER CERTIFICATION WILL BE AVAILABLE ON THE JOB SITE.

COLUMNS, GIRDERS, JOISTS, FURLINS, BEAMS, BOLTED CONNECTIONS, AND BRACING ARE DESIGNED BY A PRE-ENGINEERED METAL BUILDING MANUFACTURER. DETAILS TO BE SUPPLIED WITH METAL BUILDING PLANS.

STANDARD SPECIFICATION FOR GENERAL REQUIREMENTS FOR ROLLED STEEL PLATES, SHAPES, SHEET PILING, AND BARS FOR STRUCTURAL USE (SECTION 1509).

SIGNS, LOCATION, NUMBER AND SIZE, ARE NOT APPROVED UNDER THIS BUILDING PERMIT. A PERMIT IS REQUIRED FOR EACH SIGN.

STRUCTURE IS DESIGNED FOR EARTHQUAKE LOADS IN ACCORDANCE WITH SECTION 1607.

SEISMIC DESIGN CRITERIA

$A_v = 0.10$ HAZARD EXPOSURE GROUP = 1
 $A_a = 0.10$ PERFORMANCE CATEGORY = C
 SOIL PROFILE TYPE = 2
 RESPONSE MOD. FACTOR, R = 4 1/2

STRUCTURAL LOADS

LIVE LOAD ON FRAMES: 12 PSF
 LIVE LOAD ON ROOF: 20 PSF
 COLLATERAL LOAD: 2 PSF
 WIND LOAD: 80 M.P.H.
 1ST FLOOR LOADS: 100 PSF
 2ND FLOOR LOADS: 80 PSF
 SPRINKLER LOAD (50 X 50): 3 PSF
 SBC '94

GENERAL NOTES

NOTES:

CONTRACTOR SHALL BE RESPONSIBLE FOR APPROPRIATE BRACING AND SHORING OF THE STRUCTURE DURING CONSTRUCTION TO INSURE STABILITY.

ALL GLASS, WHEN REQUIRED, WILL BE TEMPERED PER SECTION 2703.2

ALL SAFE FLOOR LOADS WILL BE POSTED IN A CONSPICUOUS PLACE PER SECTION 103.10.1

ALL WOOD IN CONTACT WITH CONCRETE WILL BE PRESSURE TREATED

METAL STUD FRAMING WILL BE ATTACHED WITH 1/2" LONG TYPE S-12 PAN HEAD SCREWS AND ANCHORED TO CONC. WITH 1/4" DRIVE PINS AT 36" O.C.

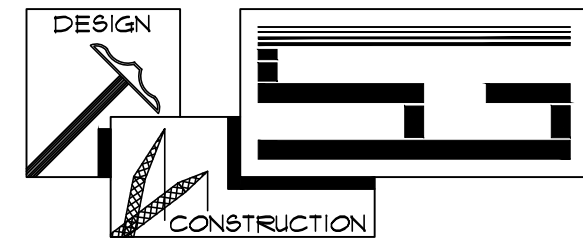
NON-LOADBEARING WALL CONSTRUCTION, UNLESS NOTED OTHERWISE ON FLOOR PLANS, CROSS SECTIONS, OR DETAILS, SHALL BE 3 5/8" METAL STUDS AT 24" O.C. WITH ONE LAYER OF 1/2" DRYWALL ON EACH SIDE.

WHEN FACE BRICK IS USED, BRICK TIES WILL BE GALVANIZED CORRUGATED AND FASTENED TO METAL STUDS OR BLOCK AT 24" HORIZONTALLY AND VERTICALLY. WEEP HOLES TO BE 3/8" ϕ LOCATED AT THE BASE OF THE BRICK WALL AND 48" O.C. HORIZONTALLY.

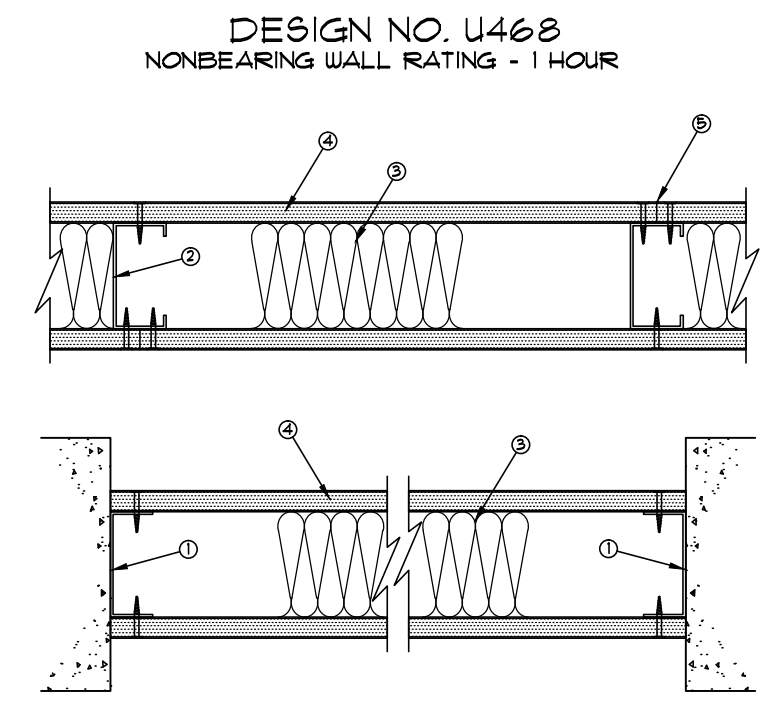
CONSTRUCTION NOTES

DRAWING	SHEET NO.
COVER PAGE	C1
FOUNDATION PLAN	S1
FLOOR PLAN	1
ELEVATIONS	2
50 X 50 CROSS SECTION	3
ENDWALL DETAILS	4
40 X 50 CROSS SECTION	5
ENDWALL DETAILS	6
ELECTRICAL PLAN	E-1
MECHANICAL PLAN	M-1
PLUMBING PLAN	P-1
FIRE SPRINKLER PLAN	FS-1

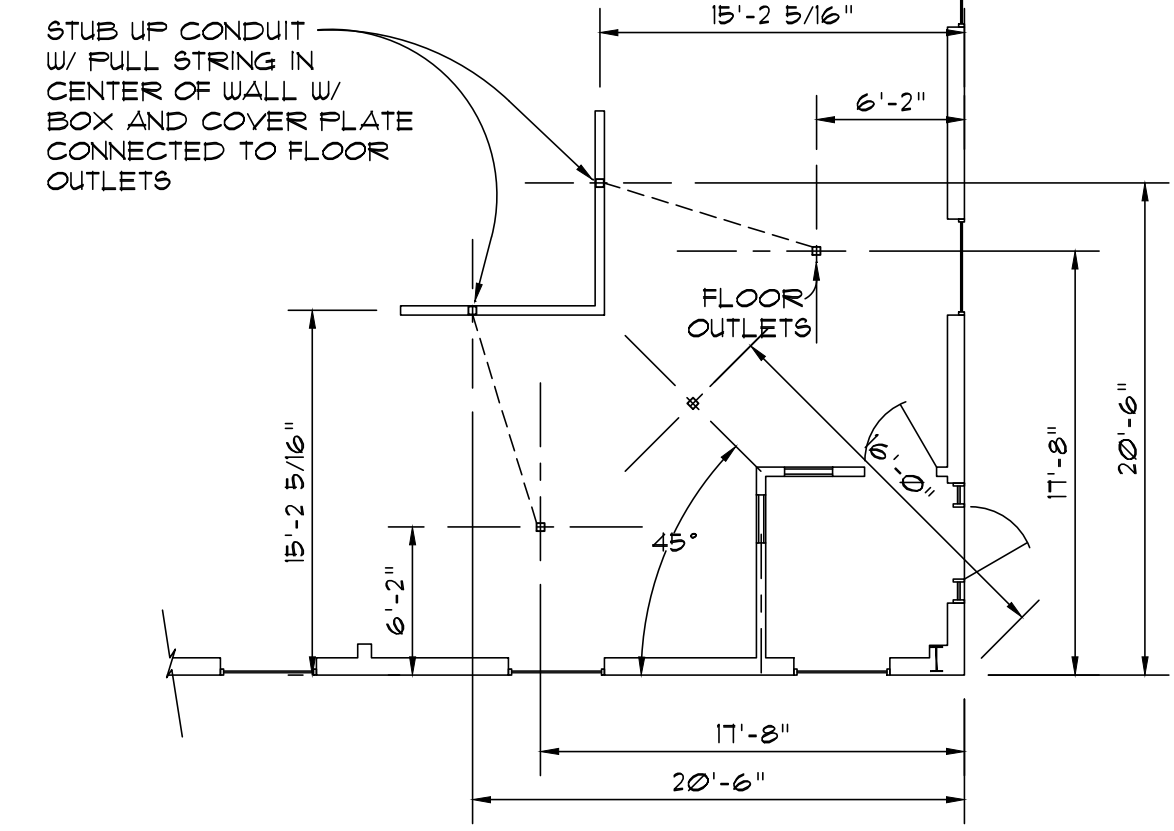
TABLE OF CONTENTS

SPARKS-GRIZZARD CONSTRUCTION, Inc. 		SPARKS GRIZZARD CONST. SNELLVILLE, GEORGIA	
SCALE: NONE	APPROVED BY:	DRAWN BY:	
DATE: 1-15-96		TOBY SPARKS	
COVER SHEET		DRAWING NUMBER	
		C1	
3110 LENORA CHURCH RD. SNELLVILLE, GEORGIA 30228 (404)918-9220			

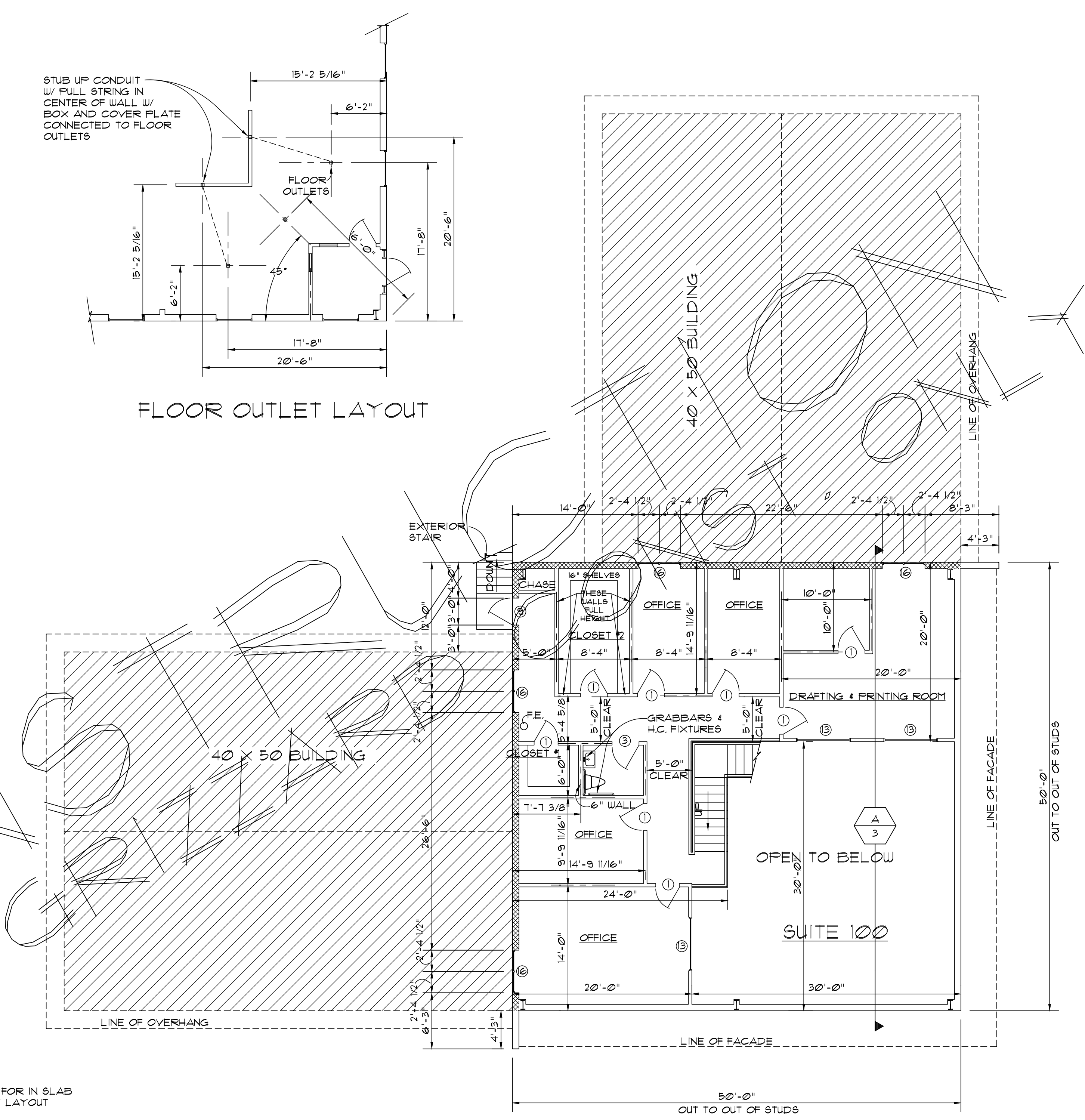
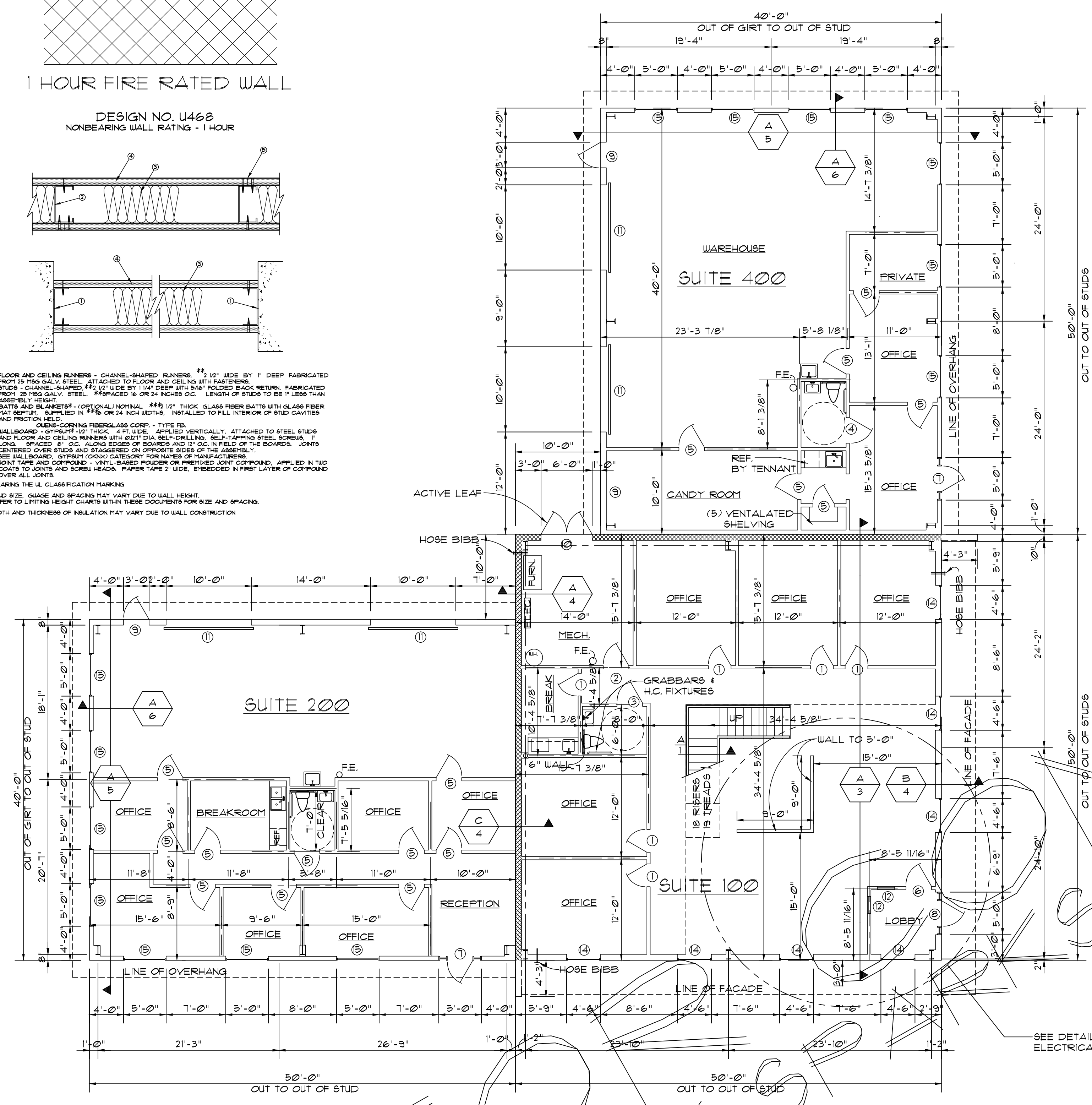
1 HOUR FIRE RATED WALL



- FLOOR AND CEILING RUNNERS - CHANNEL-SHAPED RUNNERS #2 1/2" WIDE BY 1" DEEP FABRICATED FROM 18 MSG GALV. STEEL. ATTACHED TO FLOOR AND CEILING WITH FASTENERS.
 - STUDS - CHANNEL-SHAPED #2 1/2" WIDE BY 1 1/4" DEEP WITH 5/16" POLISHED BLACK RETURN. FABRICATED FROM 18 MSG GALV. STEEL. #2 SPACED 16" OR 24" ON CENTER. LENGTH OF STUDS TO BE 1" LESS THAN ASSEMBLY HEIGHT.
 - BATTS AND BLANKETS - OPTIONAL NOMINAL #9 1/2" THICK GLASS FIBER BATTS WITH GLASS FIBER #147 REINFORCING SUPPLIED IN #16 OR 24 INCH WIDTHS. INSTALLED TO FULL INTERIOR OF STUD CAVITIES AND FRICION FIELD.
 - CEILING-CORNER FIBERGLASS CORP. - TYPE FB.
 - WALLBOARD - GYPSUM-1/2" THICK, 4 FT. WIDE, APPLIED VERTICALLY. ATTACHED TO STEEL STUDS AND FLOOR AND CEILING RUNNERS WITH 60% D.S. SELF-CORRODING SELF-TAPPING STEEL SCREWS. 1" LONG. SPACED 8" ALONG EDGES OF BOARDS AND 17" O.C. IN FIELD OF THE BOARDS. JOINTS CENTERED OVER STUDS AND STRIPPED ON OPPOSITE SIDE OF THE ASSEMBLY.
 - SEE WALLBOARD MANUFACTURER'S CATALOG FOR NAME OF MANUFACTURER.
 - JOINT TAPE AND COMPOUND - VINYL-BLENDED POLYESTER-EMBEDDED JOINT COMPOUND. APPLIED IN TWO COATS TO JOINTS AND SCREW HEADS. PAPER TAPE 2" WIDE, EMBEDDED IN FIRST LAYER OF COMPOUND OVER ALL JOINTS.
- #BEARING THE U.L. CLASSIFICATION MARKING
#STUD SIZE, GAUGE AND SPACING MAY VARY DUE TO WALL HEIGHT.
#REFER TO LISTING HEIGHT CHARTS WITHIN THESE DOCUMENTS FOR SIZE AND SPACING.
#WIDTH AND THICKNESS OF INSULATION MAY VARY DUE TO WALL CONSTRUCTION.



FLOOR OUTLET LAYOUT

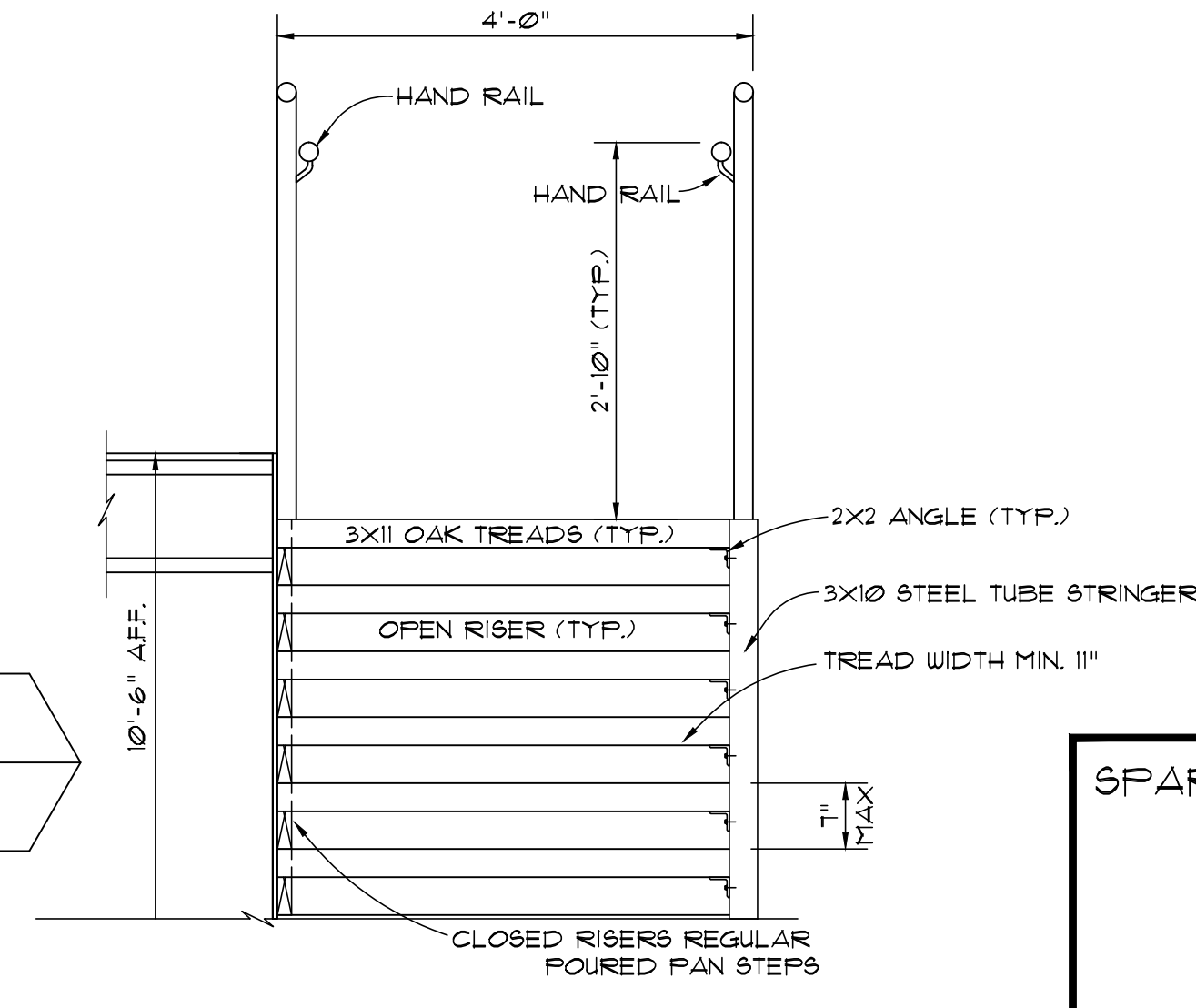


ROOM FINISH SCHEDULE

ROOM DESCRIPTION	FLOOR FINISH	CEILING FINISH	BASE MOULD	WALL FINISH
OFFICES (IN 50' X 50')	CARPET	2 X 2 ACOUSTICAL TILE REVEALED EDGE (8'-0")	4" RUBBER	1/2" PAINTED SHEETROCK (TO 8'-0")
RESTROOMS (IN 50' X 50')	VINYL TILE	2 X 2 ACOUSTICAL TILE REVEALED EDGE (8'-0")	4" RUBBER	1/2" PAINTED SHEETROCK (TO 8'-0")
BREAKROOM	VINYL TILE	2 X 2 ACOUSTICAL TILE REVEALED EDGE (8'-0")	4" RUBBER	1/2" PAINTED SHEETROCK (TO 8'-0")
MECHANICAL ROOM	CONCRETE	EXPOSED TO WOOD FRAMING	NONE	1/2" PAINTED SHEETROCK (TO 8'-0")
DRAFT & PRINT ROOM	CARPET	2 X 2 ACOUSTICAL TILE REVEALED EDGE (8'-0")	4" RUBBER	1/2" PAINTED SHEETROCK (TO 8'-0")
CLOSET #1	CARPET	2 X 2 ACOUSTICAL TILE REVEALED EDGE (8'-0")	4" RUBBER	1/2" PAINTED SHEETROCK (TO 8'-0")
CLOSET #2	CARPET	EXPOSED TO UNDERSIDE OF ROOF INSUL.	4" RUBBER	1/2" PAINTED SHEETROCK (TO ROOF)
GENERAL OFFICE	VINYL TILE & CARPET	2 X 2 ACOUSTICAL TILE REVEALED EDGE (8'-6")	4" RUBBER	1/2" PAINTED SHEETROCK (TO 8'-6")
WAREHOUSE	CONCRETE	EXPOSED TO UNDERSIDE OF ROOF INSUL.	NONE	7.5 GA. THK PANEL TO 8'-0"
OFFICES (IN 40' X 50')	CARPET	2 X 4 ACOUSTICAL TILE	4" RUBBER	1/2" PAINTED SHEETROCK (TO 8'-0")
RESTROOMS (IN 40' X 50')	VINYL TILE	2 X 4 ACOUSTICAL TILE	4" RUBBER	1/2" PAINTED SHEETROCK (TO 8'-0")
LOBBY	(UPGRADED) VINYL TILE	2 X 4 ACOUSTICAL TILE	4" RUBBER	1/2" PAINTED SHEETROCK (TO 8'-0")

DOOR & WINDOW SCHEDULE

DOOR LABEL	DOOR SIZE	FIRE RATED	DESCRIPTION	HARDWARE	FINISH	SPECIAL
1	2810	NO	SOLID CORE W/ METAL FRAME	LEVER HARDWARE, PASSAGE SET	STAIN DOOR SPRAY PAINT FRAME	FE558 KD, STOP AS REQ'D
2	3010	NO	SOLID CORE WOOD METAL FRAME	LEVER HARDWARE, ENTRY SET, KA-1	STAIN DOOR SPRAY PAINT FRAME	FE558 KD WALL STOP
3	3010	NO	SOLID CORE WOOD METAL FRAME	LEVER HARDWARE, PRIVACY SET	STAIN DOOR SPRAY PAINT FRAME	CLOSER ON DOWNSTAIRS REST, FE558 KD
4	3068	NO	6" PANEL MASONITE WOOD FRAME	LEVER HARDWARE, PRIVACY SET	PAINT GRADE DOOR & FRAME	
5	3068	NO	6" PANEL MASONITE WOOD FRAME	LEVER HARDWARE, PASSAGE SET	PAINT GRADE DOOR & FRAME	
6	3010	NO	SOLID CORE WOOD METAL FRAME	PUSH FULL W/ CLOSER, K PLATE WALL STOP	STAIN DOOR SPRAY PAINT FRAME	CLOSER FE558 KD
7	3010	NO	GLASS DOOR, CLEAR TEMPERED	PUSH BAR	BRONZE ALUM.	(2) 12" SIDELITES
8	3010	NO	GLASS DOOR, CLEAR TEMPERED	PUSH BAR, KA-1	BRONZE ALUM.	(2) 12" SIDELITES (1) 12" TRANSUM
9	3010	NO	METAL METAL FRAME	LEVER HARDWARE, ENTRY SET, KA-1	FIELD PAINTED, F634 WELDED	CLOSER T HOLD, W/ STRIP
10	6010	NO	METAL METAL FRAME	LEVER HARDWARE, ENTRY SET, KA-2	FIELD PAINTED, F634 WELDED	CLOSER ON ACTIVE, SURF. BOLTS, THOLD, W/ STRIP
11	10' X 9' OHD	NO	METAL SECTIONAL	MANUAL LIFT	FACTORY WHITE FINISH	
12	2033 WIN	NO	CASED OPENING METAL FRAME	NO HARDWARE	SPRAY PAINT FRAME	FORMICA SHELF
13	6048 WIN	NO	PLATE GLASS METAL FRAME	NO HARDWARE, F634A WELDED	BRONZE ALUM.	SHEETROCK RETURN
14	4056 WIN	NO	ALUMINUM STORE FRONT	NO HARDWARE	BRONZE ALUM.	SHEETROCK RETURN
15	5046 WIN	NO	ALUMINUM STORE FRONT	NO HARDWARE	BRONZE ALUM.	SHEETROCK RETURN
16	SEE ELEVATION	"C" RATED	METAL FRAME (45 MIN RATED)	NO HARDWARE, F634A WELDED	BRONZE FINISH	WIRE GLASS
17						



SPRINKLER SYSTEM TO BE PER NFPA-13 CONTRACTOR TO SUBMIT DRAWINGS TO THE FIRE MARSHALL PRIOR TO INSTALLATION.

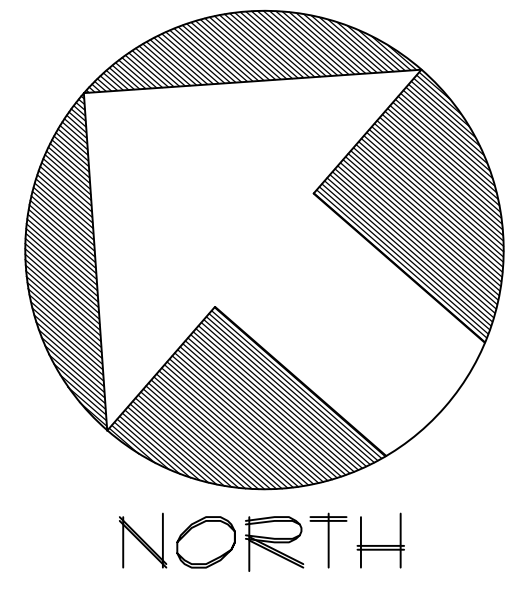
SPARKS-GRIZZARD CONSTRUCTION, Inc.
3110 LENORA CHURCH RD. SNELLVILLE, GEORGIA 30218 (404) 918-9220

SPARKS-GRIZZARD CONST.
3195 LENORA CHURCH RD. - SNELLVILLE, GEORGIA 30218

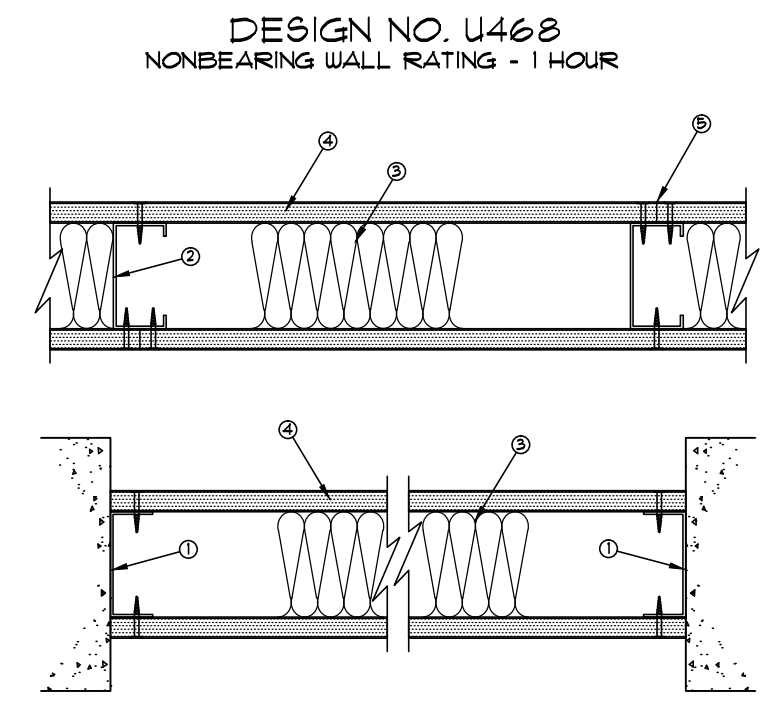
SCALE: 1/8" = 1'-0" APPROVED BY: DRAIN BY: TOBY SPARKS

DATE: 1-15-96

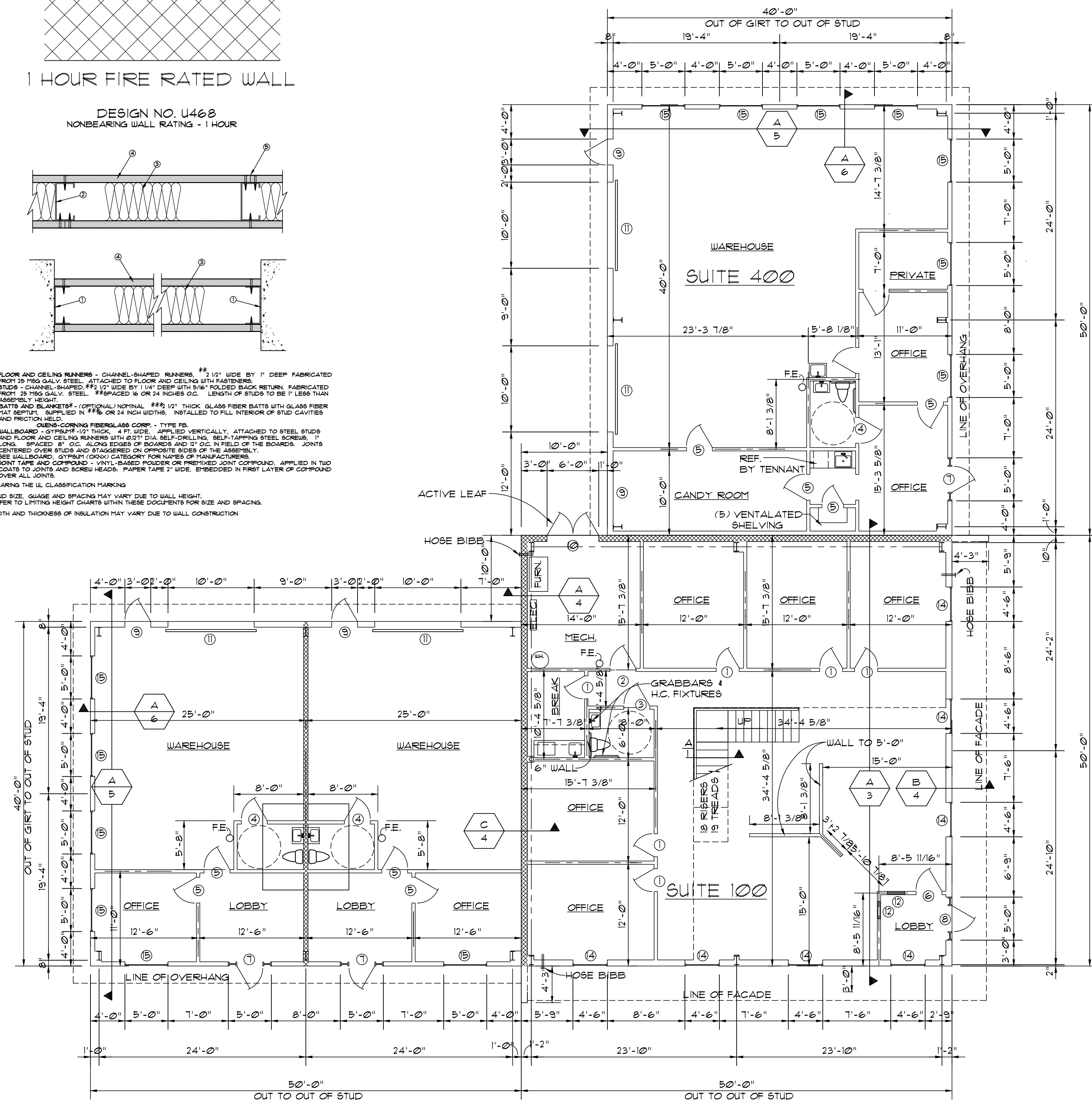
FLOOR PLANS DRAWING NUMBER 1



1 HOUR FIRE RATED WALL



- FLOOR AND CEILING RUNNERS - CHANNEL-SHAPED RUNNERS #2 1/2" WIDE BY 1" DEEP FABRICATED FROM 15# GALV. STEEL. ATTACHED TO FLOOR AND CEILING WITH FASTENERS.
 - STUDS - CHANNEL-SHAPED #2 1/2" WIDE BY 1 1/4" DEEP WITH 5/16" POLISHED BACK RETURN. FABRICATED FROM 15# GALV. STEEL. #2 SPACED 16" OR 24" NCHS O.C. LENGTH OF STUDS TO BE 1" LESS THAN ASSEMBLY HEIGHT.
 - BATTS AND BLANKETS - OPTIONAL NOMINAL #25 1/2" THICK GLASS FIBER BATTS WITH GLASS FIBER #41 REINFORCING FIBERS. SUPPLIED IN 1/2" OR 24" NCHS WIDTHS. INSTALLED TO FULL INTERIOR OF STUD CAVITIES AND FRICION FIELD.
 - WALLBOARD - GYP/PLUM-1/2" THICK, 4 FT. WIDE, APPLIED VERTICALLY. ATTACHED TO STEEL STUDS AND FLOOR AND CEILING RUNNERS WITH 6X1 1/2" DIA. SELF-DRAINING SELF-TAPPING STEEL SCREWS. LONG SPACERS 8" ALONG EDGES OF BOARDS AND 17" O.C. IN FIELD OF THE BOARDS. JOINTS CENTERED OVER STUDS AND STAGGERED ON OPPOSITE SIDES OF THE ASSEMBLY.
 - JOINT TAPE AND COMPOUND - VINYL-BLENDED POLYESTER FIBER REINFORCED JOINT COMPOUND. APPLIED IN TWO COATS TO JOINTS AND SCREW HEADS. PAPER TAPE 2" WIDE, EMBEDDED IN FIRST LAYER OF COMPOUND OVER ALL JOINTS.
- #BEARING THE UL CLASSIFICATION MARKING
##STUD SIZE, GAUGE AND SPACING MAY VARY DUE TO WALL HEIGHT.
###REFER TO LISTING HEIGHT CHARTS WITHIN THESE DOCUMENTS FOR SIZE AND SPACING.
####WIDTH AND THICKNESS OF INSULATION MAY VARY DUE TO WALL CONSTRUCTION.



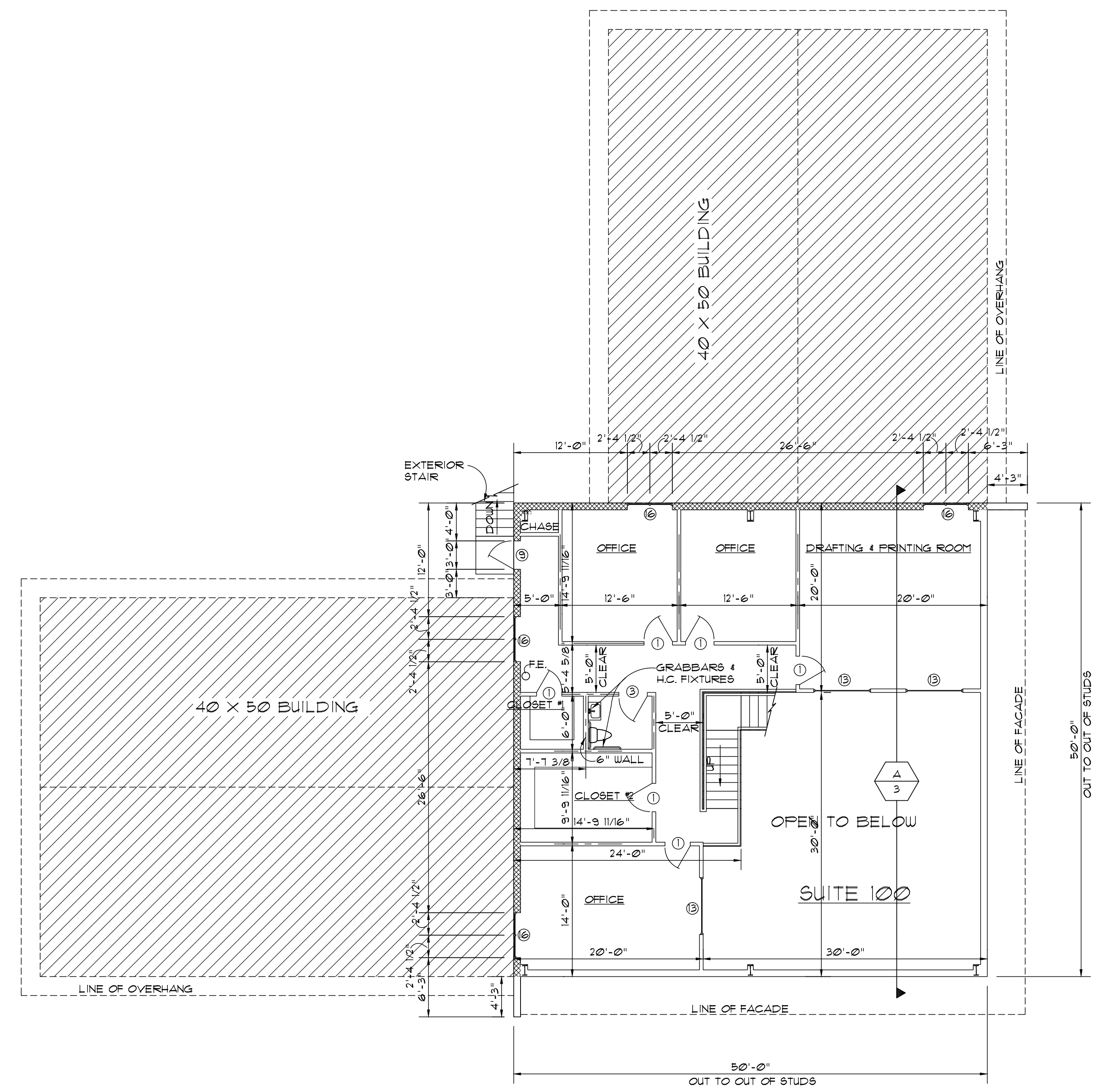
1ST LEVEL FLOOR PLAN
SCALE: 1/8" = 1'-0"

ROOM FINISH SCHEDULE

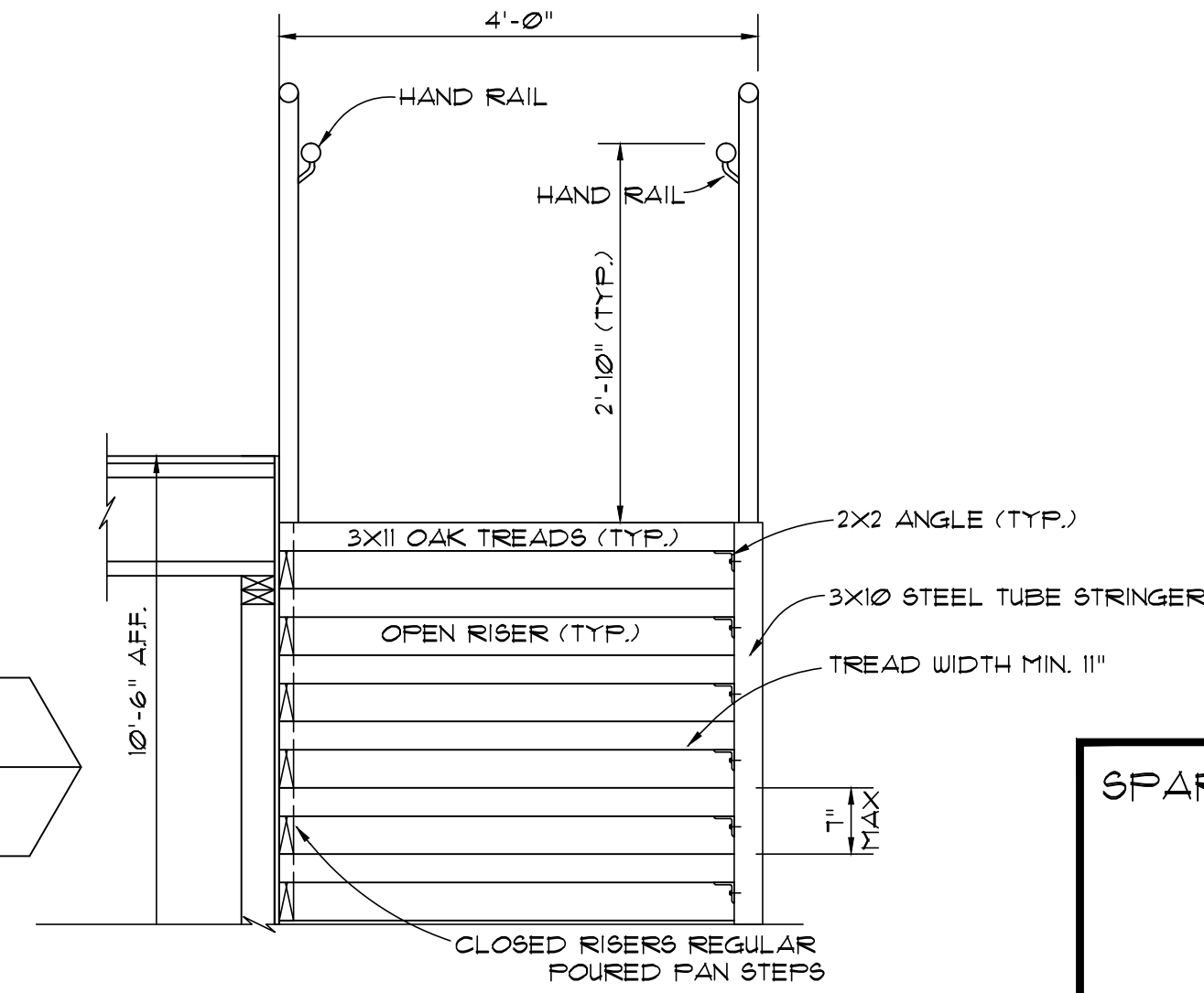
ROOM DESCRIPTION	FLOOR FINISH	CEILING FINISH	BASE MOULD	WALL FINISH
OFFICES (IN 50' X 50')	CARPET	2 X 2 ACOUSTICAL TILE REVEALED EDGE (8'-0")	4" RUBBER	1/2" PAINTED SHEETROCK (TO 8'-0")
RESTROOMS (IN 50' X 50')	VINYL TILE	2 X 2 ACOUSTICAL TILE REVEALED EDGE (8'-0")	4" RUBBER	1/2" PAINTED SHEETROCK (TO 8'-0")
BREAKROOM	VINYL TILE	2 X 2 ACOUSTICAL TILE REVEALED EDGE (8'-0")	4" RUBBER	1/2" PAINTED SHEETROCK (TO 8'-0")
MECHANICAL ROOM	CONCRETE	EXPOSED TO WOOD FRAMING	NONE	1/2" PAINTED SHEETROCK (TO 8'-0")
DRAFT & PRINT ROOM	CARPET	2 X 2 ACOUSTICAL TILE REVEALED EDGE (8'-0")	4" RUBBER	1/2" PAINTED SHEETROCK (TO 8'-0")
CLOSET #1	CARPET	2 X 2 ACOUSTICAL TILE REVEALED EDGE (8'-0")	4" RUBBER	1/2" PAINTED SHEETROCK (TO 8'-0")
CLOSET #2	CARPET	EXPOSED TO UNDERSIDE OF ROOF INSUL.	4" RUBBER	1/2" PAINTED SHEETROCK (TO ROOF)
GENERAL OFFICE	VINYL TILE & CARPET	2 X 2 ACOUSTICAL TILE REVEALED EDGE (18'-6")	4" RUBBER	1/2" PAINTED SHEETROCK (TO 18'-6")
WAREHOUSE	CONCRETE	EXPOSED TO UNDERSIDE OF ROOF INSUL.	NONE	23 GA. TH. PANEL TO 8'-0"
OFFICES (IN 40' X 50')	CARPET	2 X 4 ACOUSTICAL TILE	4" RUBBER	1/2" PAINTED SHEETROCK (TO 8'-0")
RESTROOMS (IN 40' X 50')	VINYL TILE	2 X 4 ACOUSTICAL TILE	4" RUBBER	1/2" PAINTED SHEETROCK (TO 8'-0")
LOBBY	(UPGRADED) VINYL TILE	2 X 4 ACOUSTICAL TILE	4" RUBBER	1/2" PAINTED SHEETROCK (TO 8'-0")

DOOR & WINDOW SCHEDULE

DOOR LABEL	DOOR SIZE	FIRE RATED	DESCRIPTION	HARDWARE	FINISH	SPECIAL
1	2810	NO	SOLID CORE W/ METAL FRAME	LEVER HARDWARE, PASSAGE SET	STAIN DOOR SPRAY PAINT FRAME	FE558 KD, STOP AS REQ'D
2	3010	NO	SOLID CORE WOOD, METAL FRAME	LEVER HARDWARE, ENTRY SET, KA-1	STAIN DOOR SPRAY PAINT FRAME	FE558 KD, WALL STOP
3	3010	NO	SOLID CORE WOOD, METAL FRAME	LEVER HARDWARE, PRIVACY SET	STAIN DOOR SPRAY PAINT FRAME	CLOSER ON DOWNSTAIRS REST, FE558 KD
4	3068	NO	6 - PANEL MASONITE, WOOD FRAME	LEVER HARDWARE, PRIVACY SET	PAINT GRADE DOOR & FRAME	
5	3068	NO	6 - PANEL MASONITE, WOOD FRAME	LEVER HARDWARE, PASSAGE SET	PAINT GRADE DOOR & FRAME	
6	3010	NO	SOLID CORE WOOD, METAL FRAME	PUSH FULL W/ CLOSER, K PLATE WALL STOP	STAIN DOOR SPRAY PAINT FRAME	CLOSER FE558 KD
7	3010	NO	GLASS DOOR, CLEAR TEMPERED	PUSH BAR	BRONZE ALUM.	(2) 12" SIDELITES
8	3010	NO	GLASS DOOR, CLEAR TEMPERED	PUSH BAR, KA-1	BRONZE ALUM.	(2) 12" SIDELITES (1) 12" TRANSUM
9	3010	NO	METAL, METAL FRAME	LEVER HARDWARE, ENTRY SET, KA-1	FIELD PAINTED, F634 WELDED	CLOSER THOLD. W/ STRIP
10	6010	NO	METAL, METAL FRAME	LEVER HARDWARE, ENTRY SET, KA-2	FIELD PAINTED, F634 WELDED	CLOSER ON ACTIVE, SURF. BOLTS, THOLD. W/ STRIP
11	10' X 9' OHD	NO	METAL, SECTIONAL	MANUAL LIFT	FACTORY WHITE FINISH	
12	2032 WIN	NO	CASED OPENING, METAL FRAME	NO HARDWARE	FORMICA SHELF	
13	6046 WIN	NO	PLATE GLASS, METAL FRAME	NO HARDWARE, F634A WELDED	BRONZE ALUM.	SHEETROCK RETURN
14	4056 WIN	NO	ALUMINUM STORE FRONT	NO HARDWARE	BRONZE ALUM.	SHEETROCK RETURN
15	5046 WIN	NO	ALUMINUM STORE FRONT	NO HARDWARE	BRONZE ALUM.	SHEETROCK RETURN
16	SEE ELEVATION	"C" RATED	METAL FRAME (45 MIN RATED)	NO HARDWARE, F634A WELDED	BRONZE FINISH	WIRE GLASS
17						



2ND LEVEL FLOOR PLAN
SCALE: 1/8" = 1'-0"



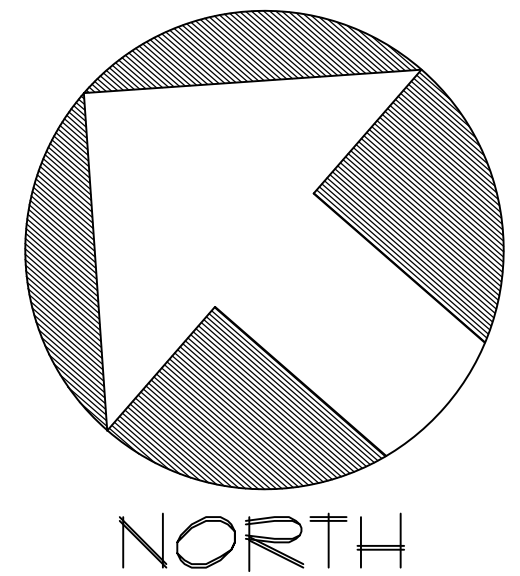
SPRINKLER SYSTEM TO BE PER NFPA-13 CONTRACTOR TO SUBMIT DRAWINGS TO THE FIRE MARSHALL PRIOR TO INSTALLATION.

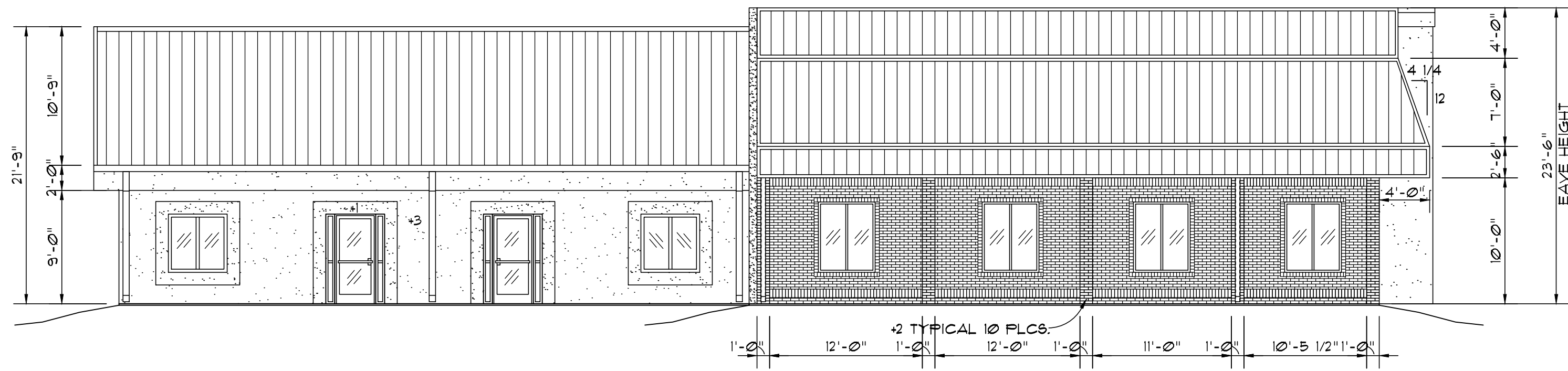
SPARKS-GRIZZARD CONSTRUCTION, Inc.
3110 LENORA CHURCH RD., SNELLVILLE, GEORGIA 30218
(404) 918-9220

SPARKS-GRIZZARD CONST.
3195 LENORA CHURCH RD., SNELLVILLE, GEORGIA 30218

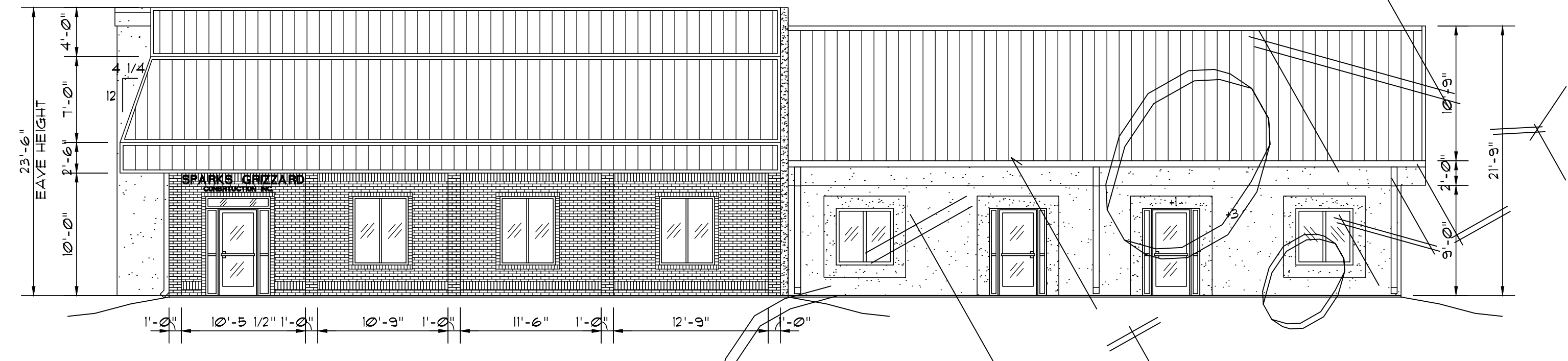
SCALE: 1/8" = 1'-0" APPROVED BY: _____
DATE: 1-15-96 DRAIN BY: TOBY SPARKS

FLOOR PLANS DRAWING NUMBER: 1A

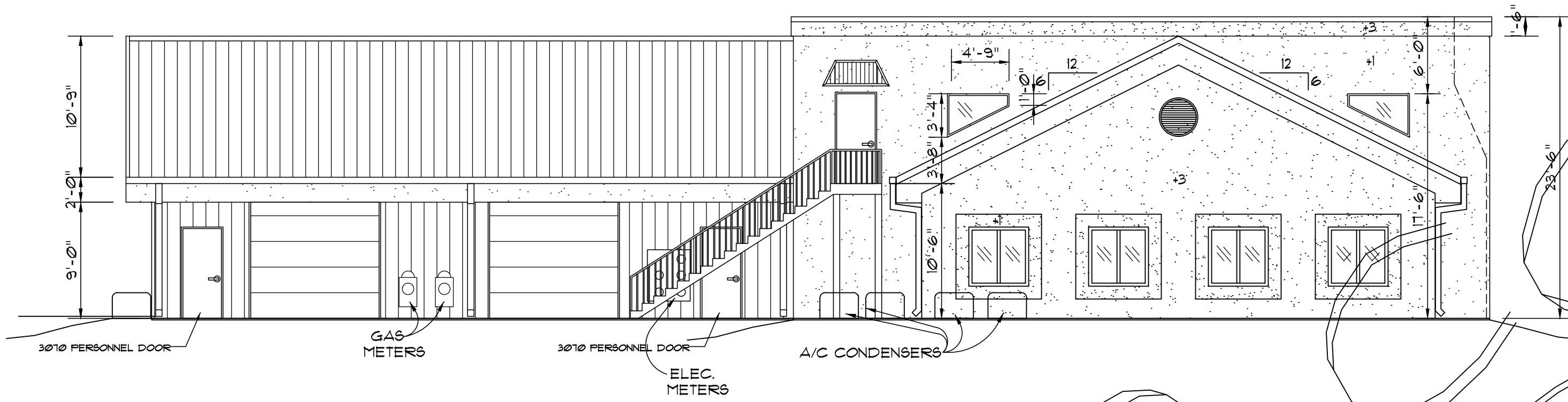




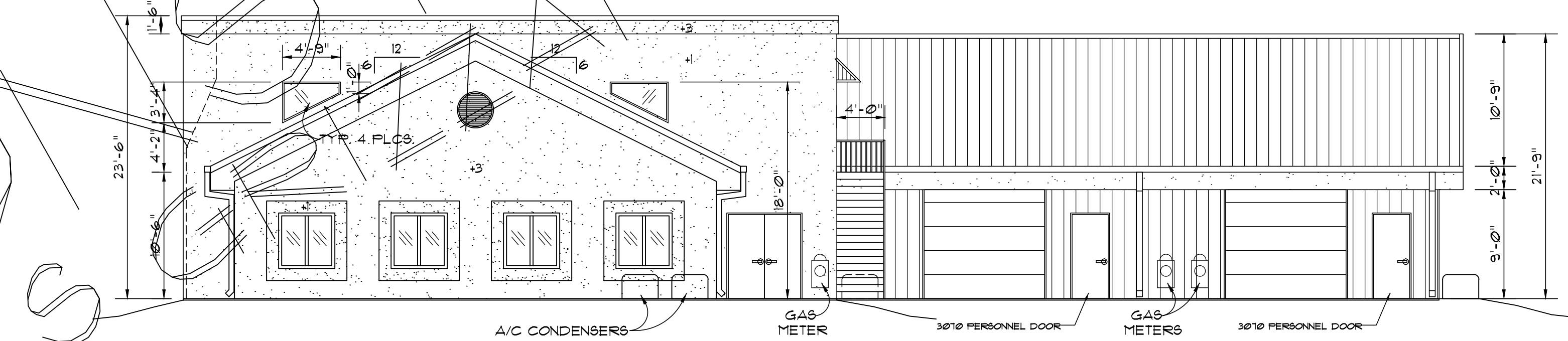
LEFT ELEVATION
SCALE: 1/8" = 1'-0"



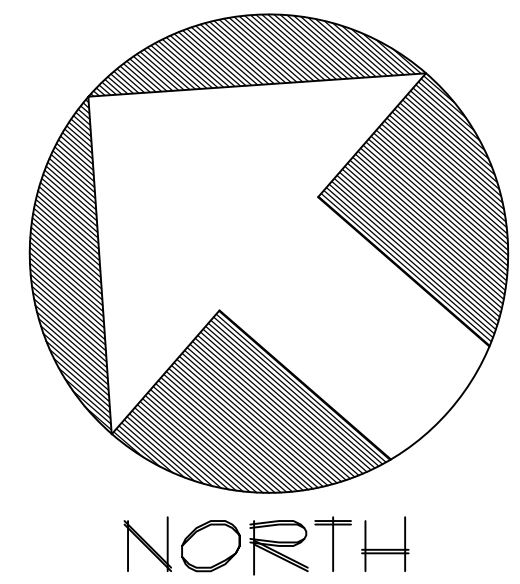
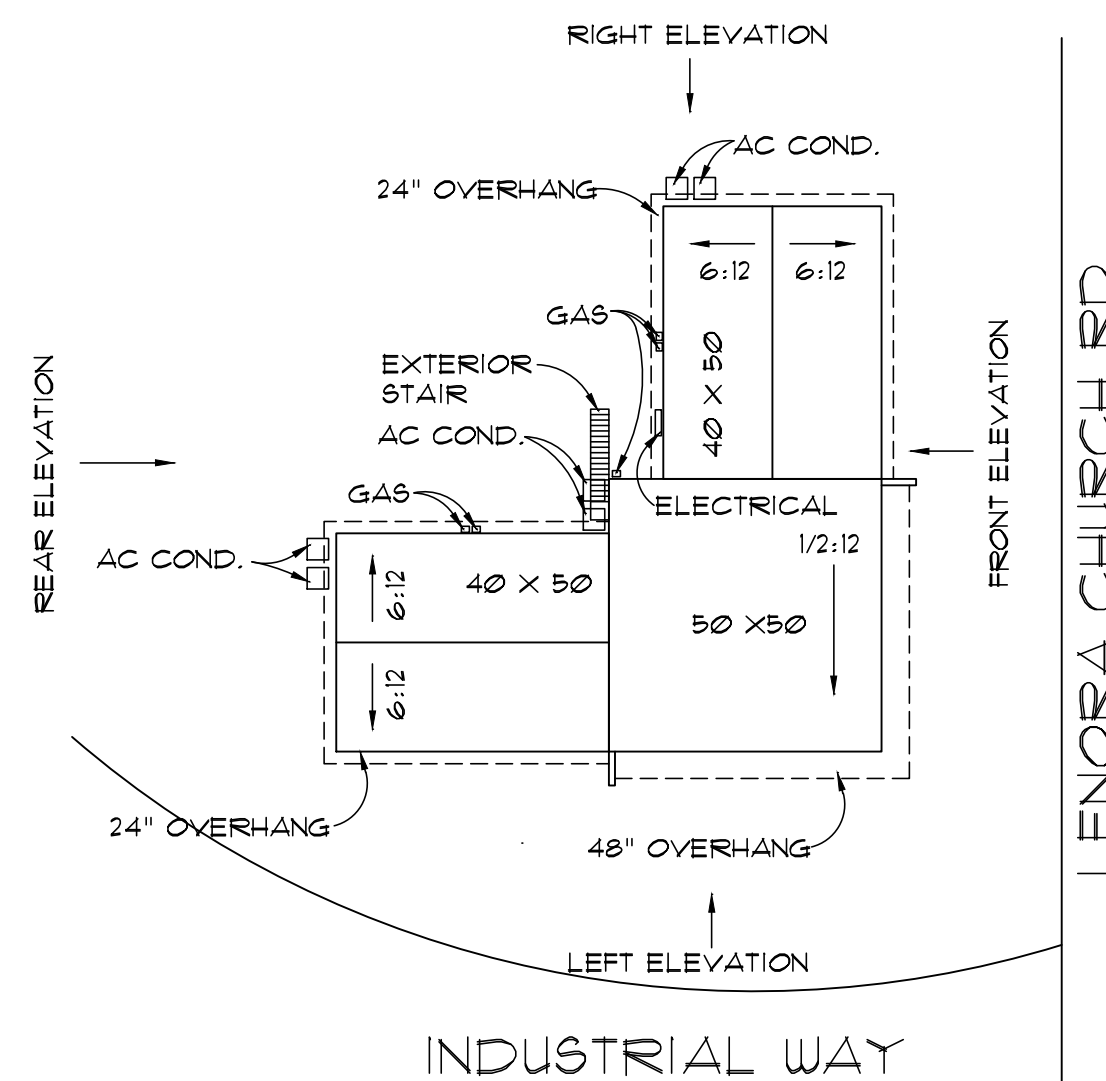
FRONT ELEVATION
SCALE: 1/8" = 1'-0"



REAR ELEVATION
SCALE: 1/8" = 1'-0"



RIGHT ELEVATION
SCALE: 1/8" = 1'-0"



NOT TO BE USED BY SPARKS

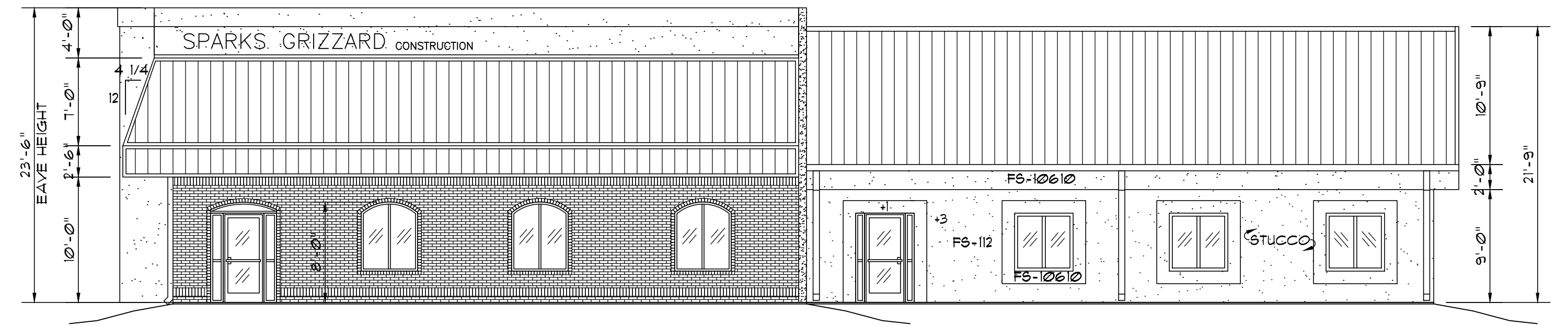
SPARKS-GRIZZARD CONSTRUCTION, Inc.

3110 LENORA CHURCH RD. SNELLVILLE, GEORGIA 30218 (404)918-9220

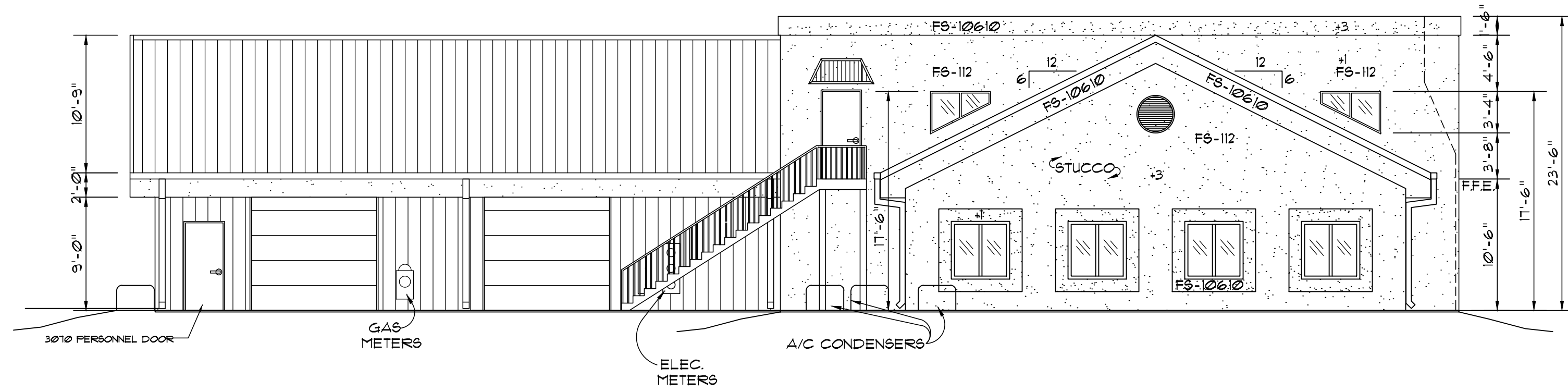
SPARKS GRIZZARD CONST. SNELLVILLE, GEORGIA		
SCALE: 1/4" = 1'-0"	APPROVED BY:	DRAWN BY:
DATE: 1-15-96		TOBY SPARKS
ELEVATIONS		DRAWING NUMBER
		2



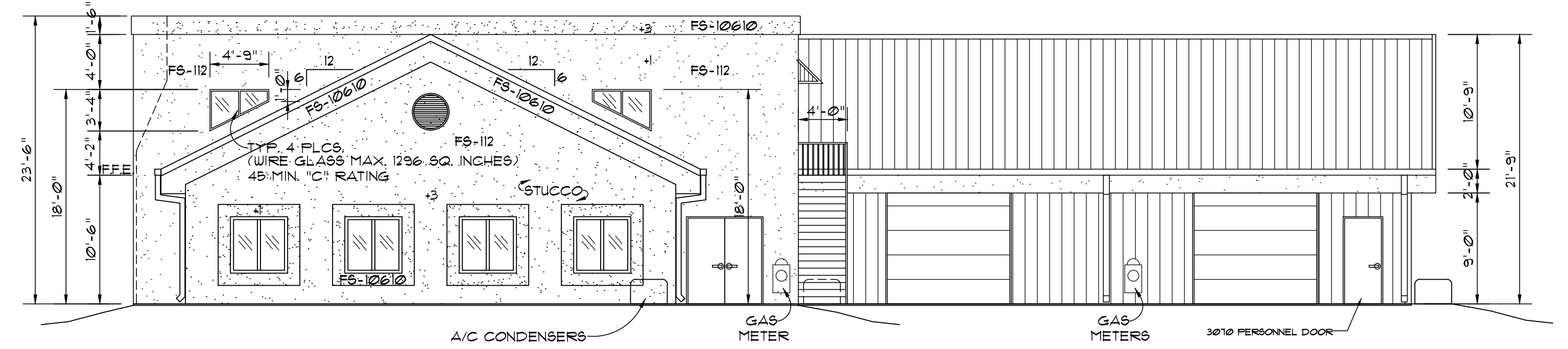
LEFT ELEVATION
SCALE: 1/8" = 1'-0"



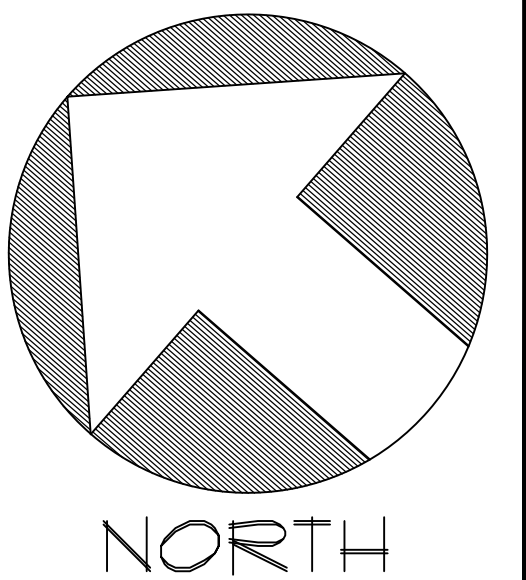
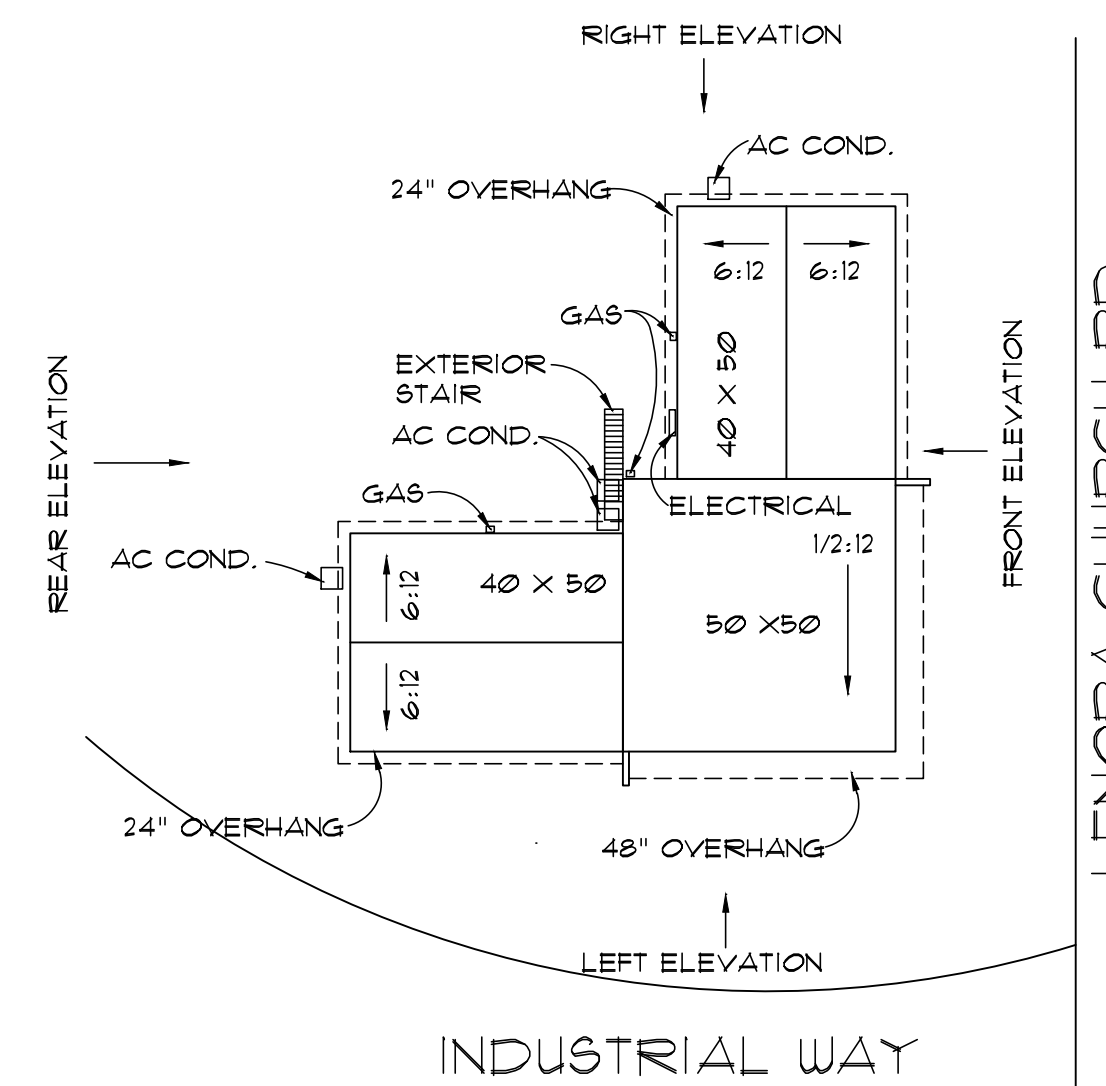
FRONT ELEVATION
SCALE: 1/8" = 1'-0"



REAR ELEVATION
SCALE: 1/8" = 1'-0"



RIGHT ELEVATION
SCALE: 1/8" = 1'-0"

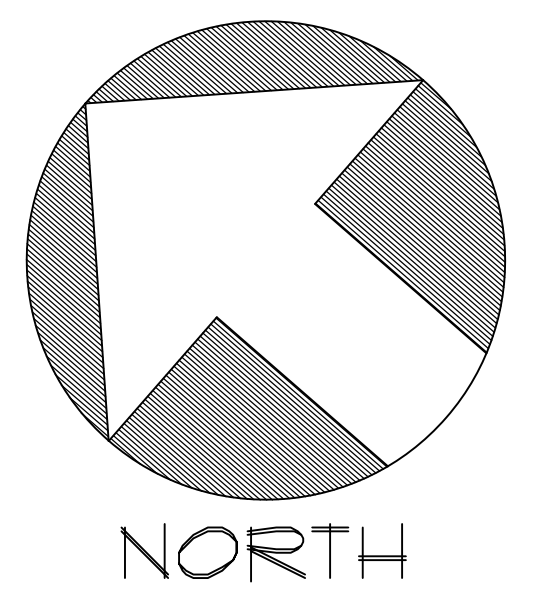
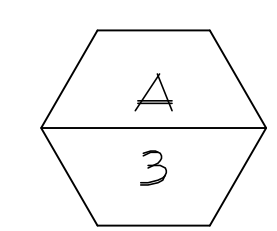
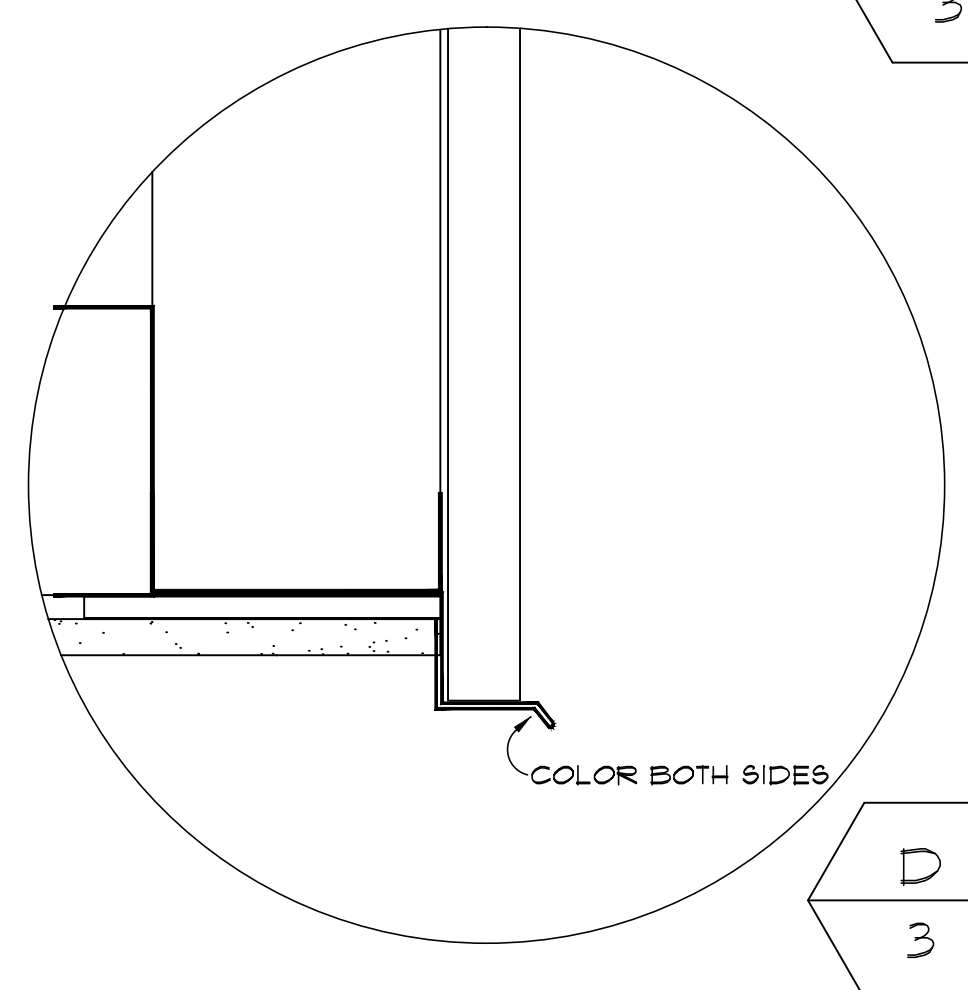
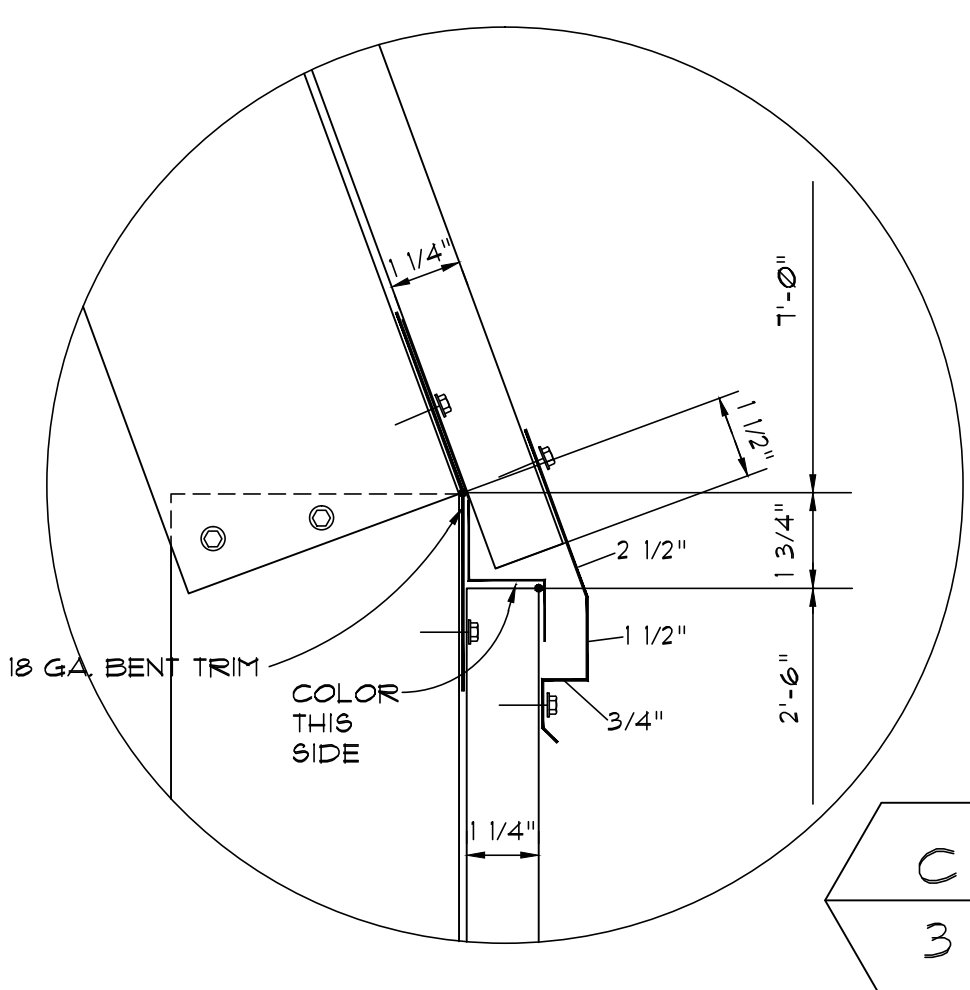
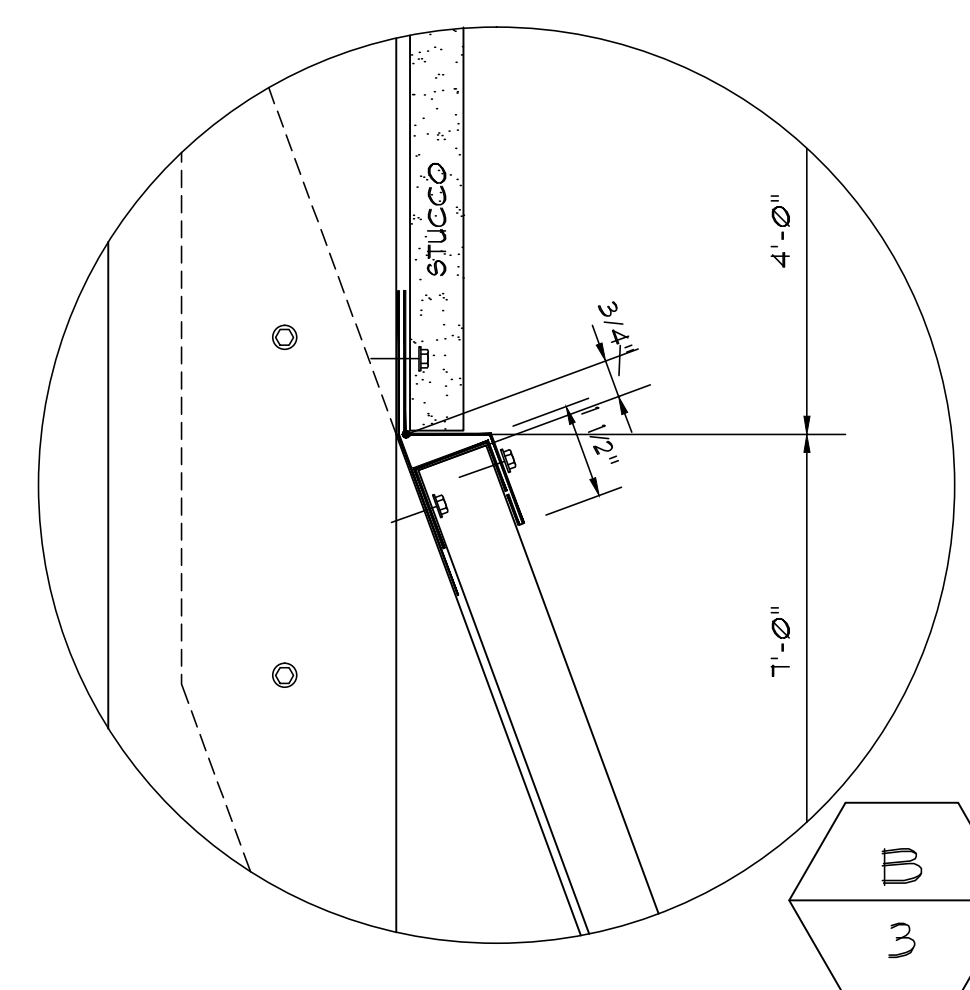
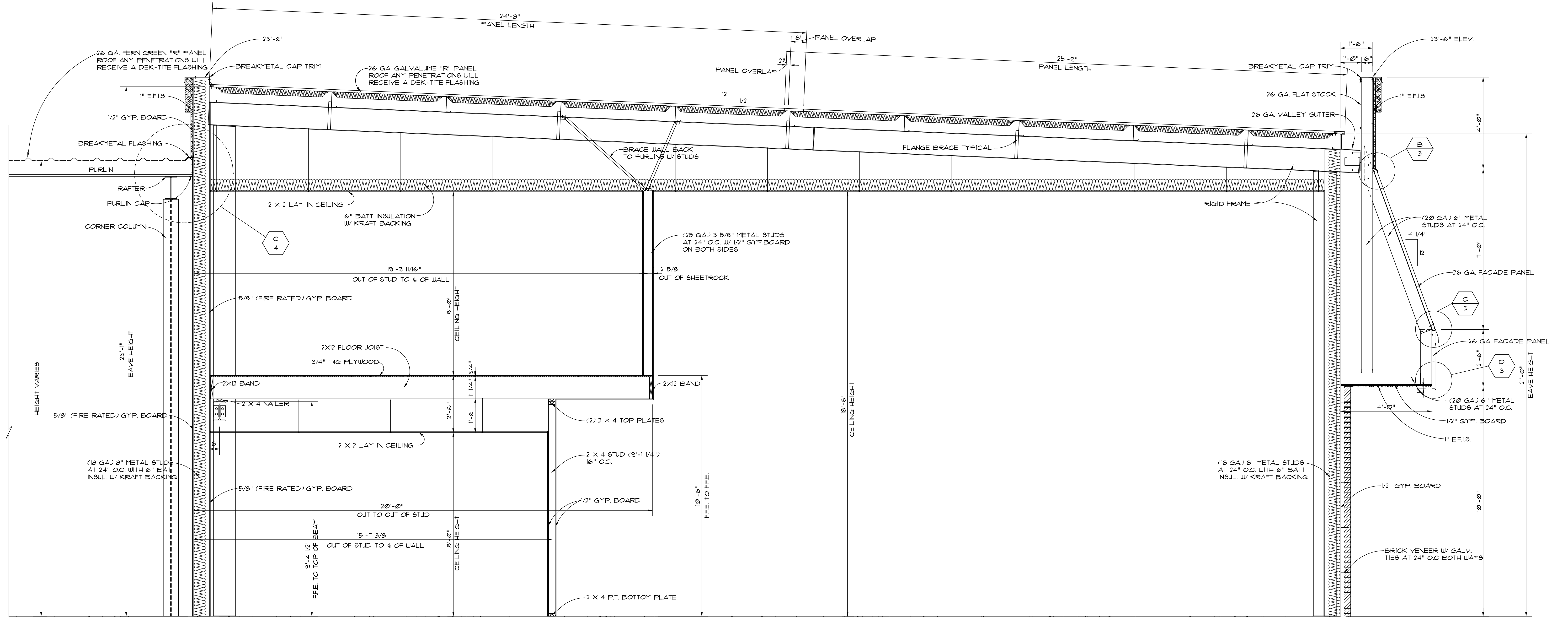


NORTH

SPARKS-GRIZZARD CONSTRUCTION, Inc.

3110 LENORA CHURCH RD. SNELLVILLE, GEORGIA 30078 (404)918-9220

SPARKS GRIZZARD CONST. SNELLVILLE, GEORGIA		
SCALE: 1/8" = 1'-0"	APPROVED BY:	DRAWN BY:
DATE: 1-15-96		TOBY SPARKS
ELEVATIONS		DRAWING NUMBER
		2



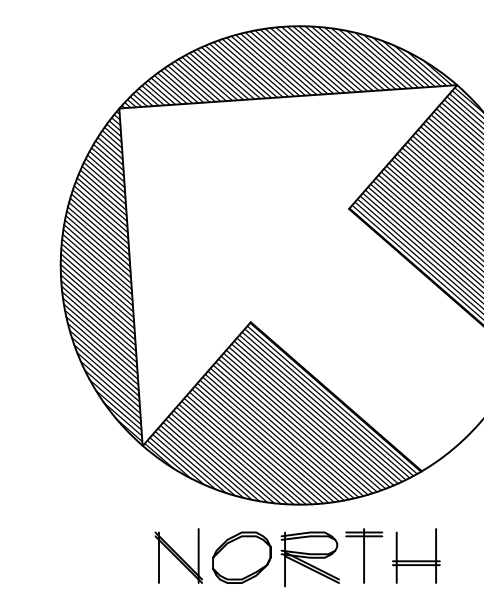
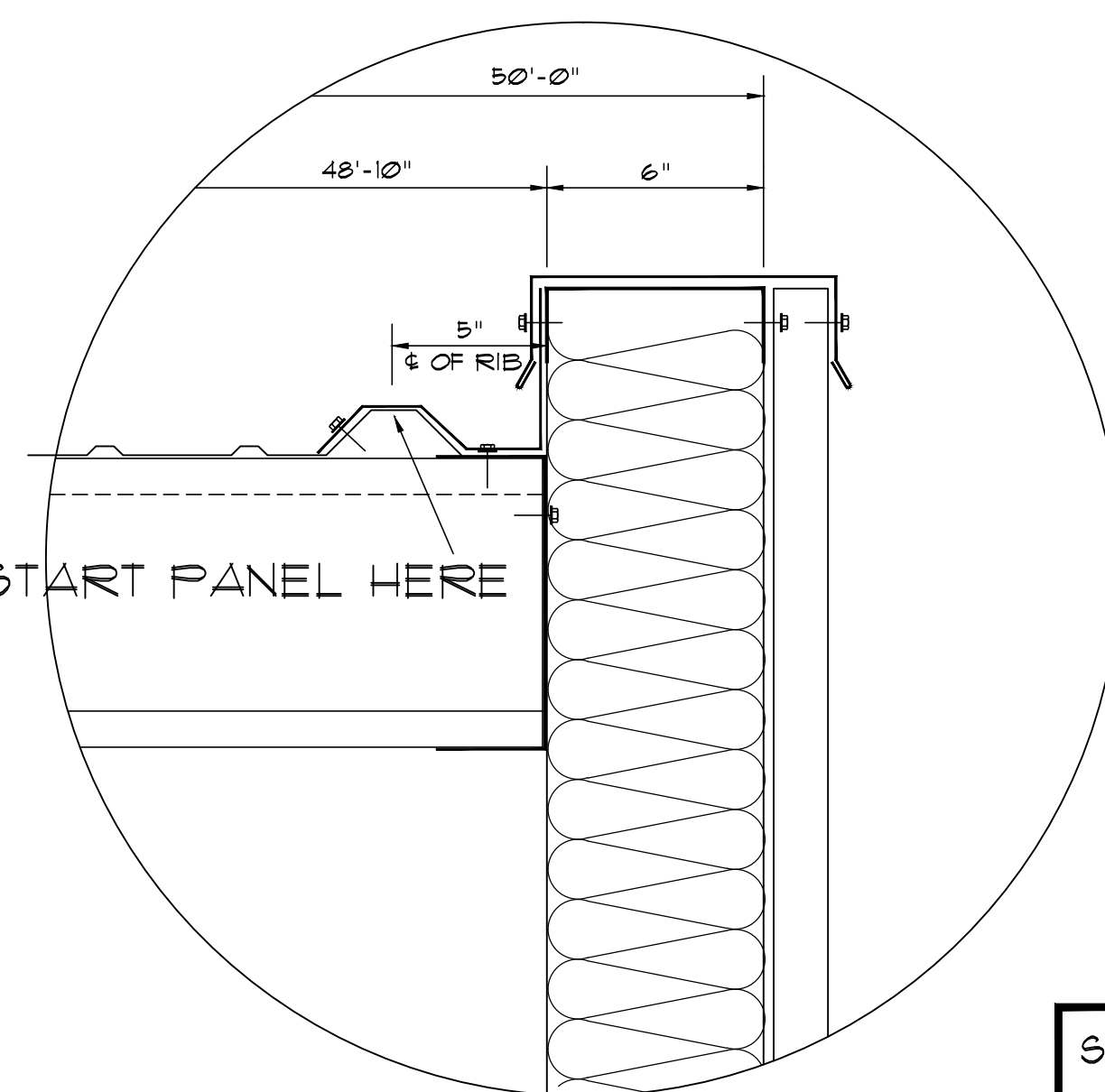
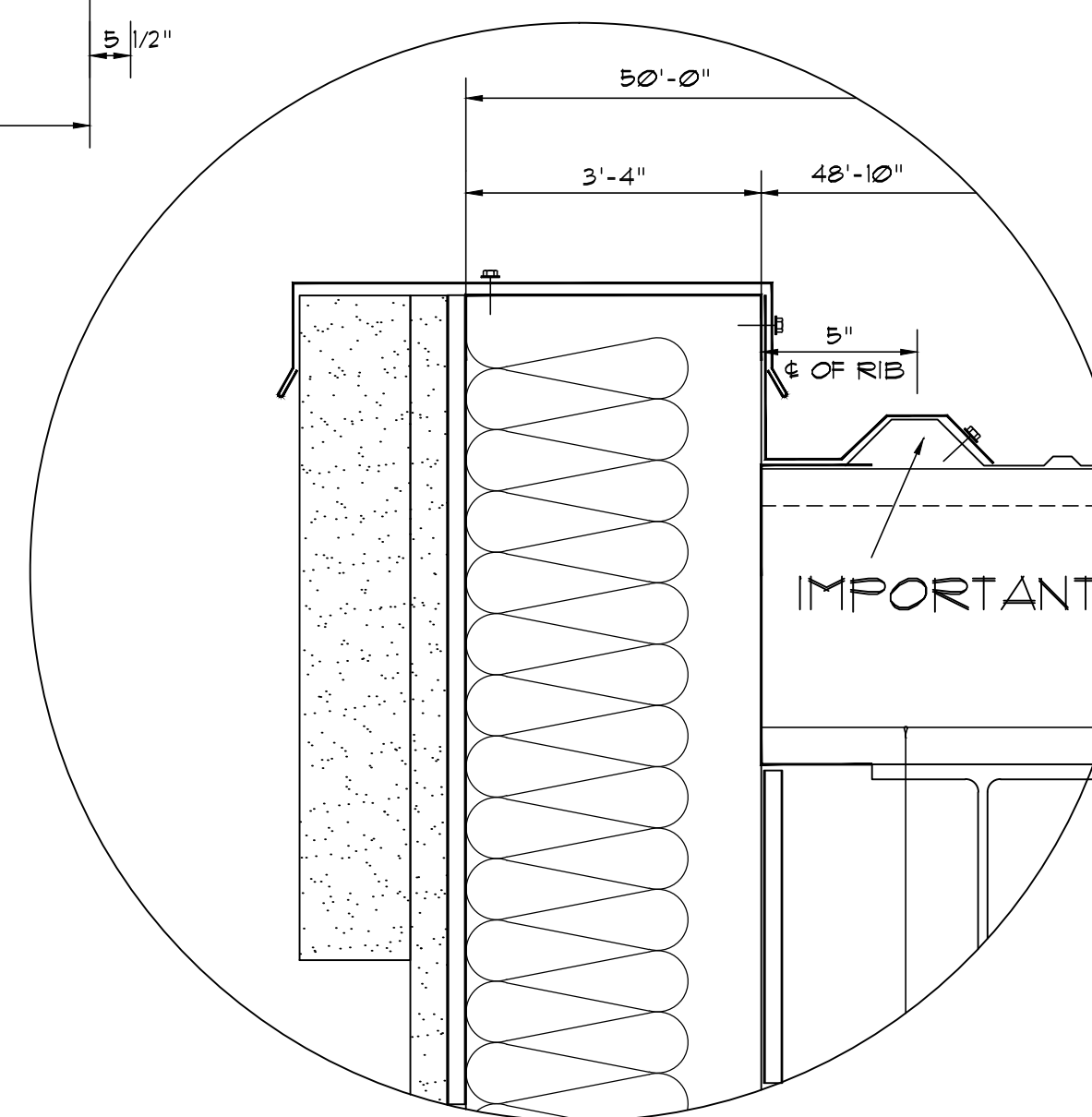
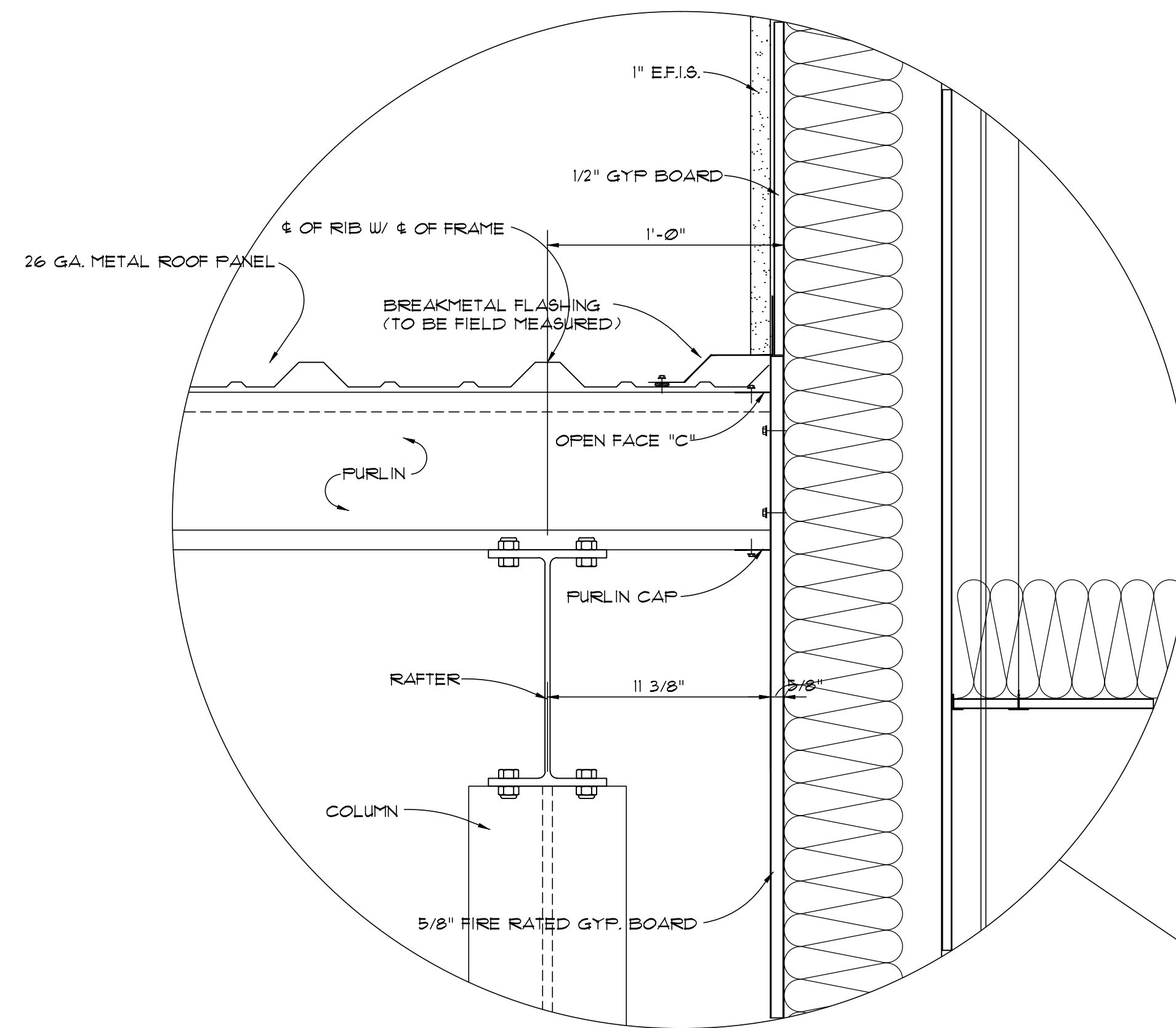
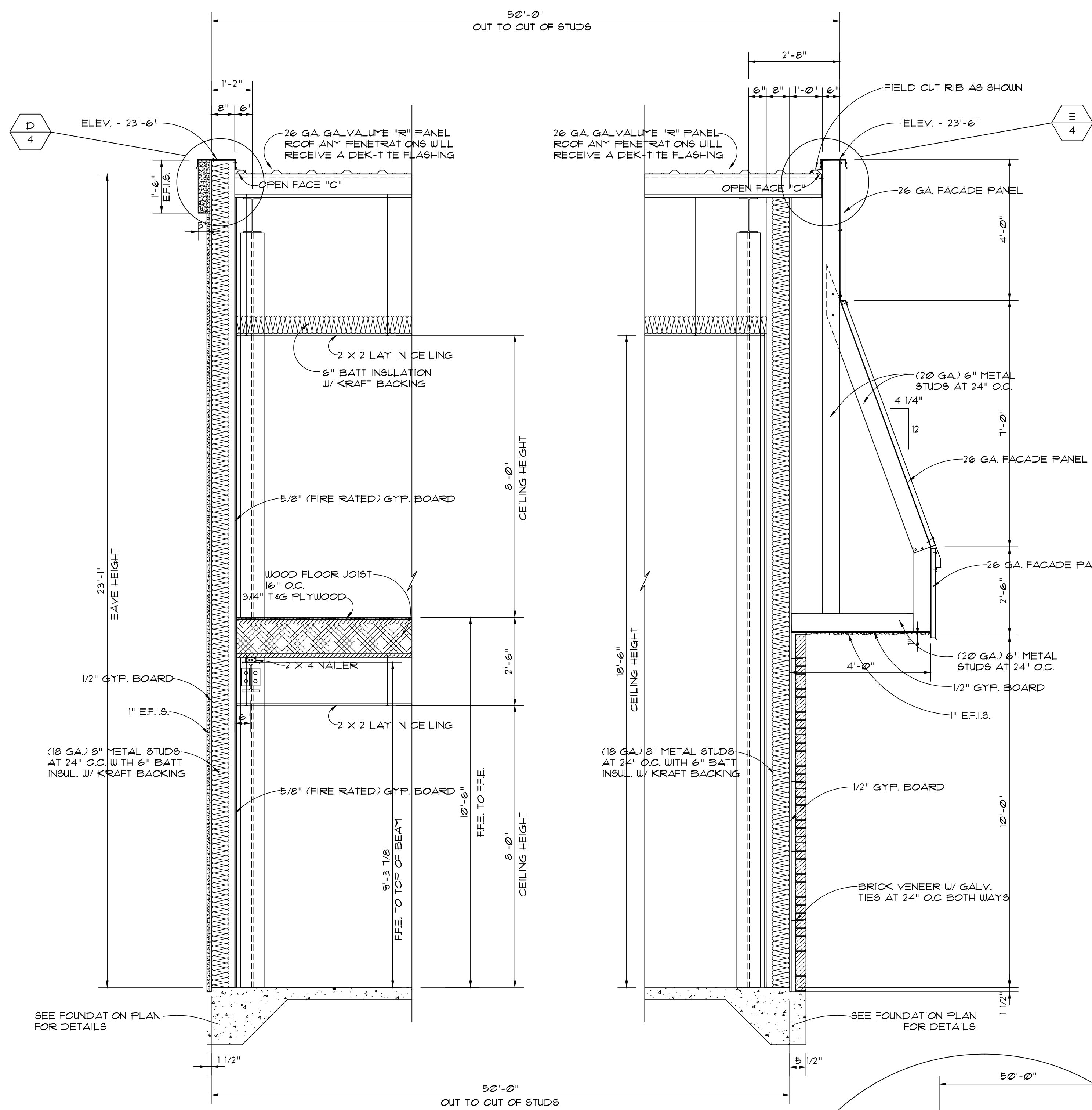
SPARKS-GRIZZARD CONSTRUCTION, Inc.

DESIGN

CONSTRUCTION

3110 LENORA CHURCH RD. SNELLVILLE, GEORGIA 30078 (404)918-9220

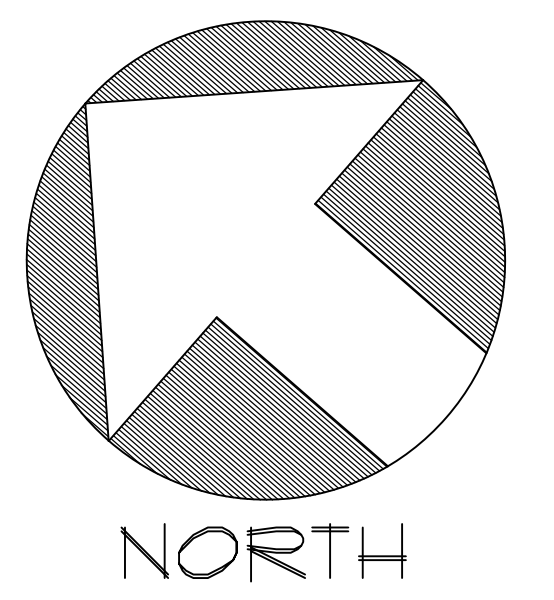
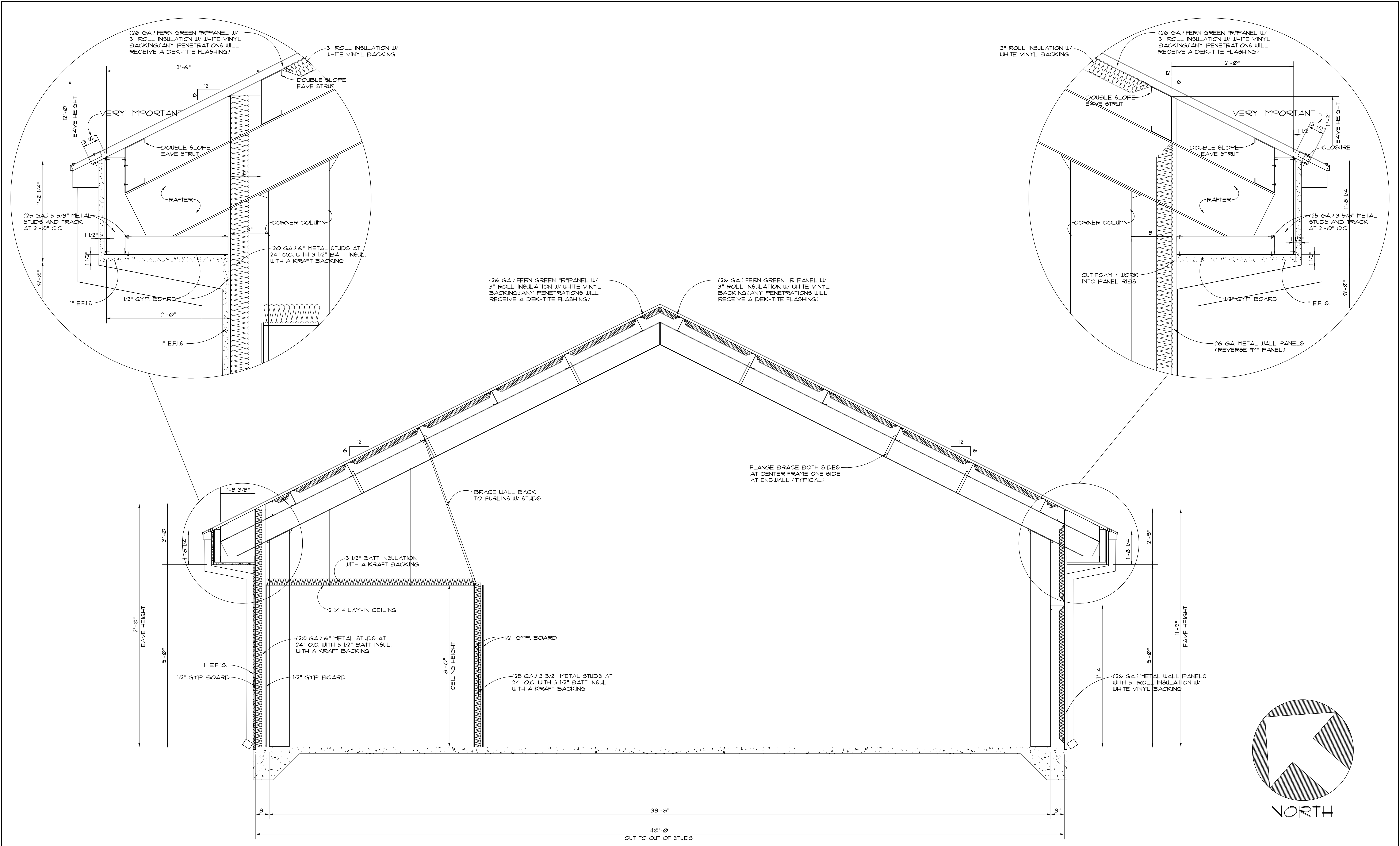
SPARKS GRIZZARD CONST. SNELLVILLE, GEORGIA		APPROVED BY:	DRAWN BY: TOBY SPARKS
SCALE: 1/2"=1'-0"	DATE: 1-15-96		DRAWING NUMBER 3
50' X 50' CROSS SECTION			



SPARKS-GRIZZARD CONSTRUCTION, Inc.

3110 LENORA CHURCH RD. SNELLVILLE, GEORGIA 30218 (404)918-9220

SPARKS GRIZZARD CONST. SNELLVILLE, GEORGIA		
SCALE: 1/2"=1'-0"	APPROVED BY:	DRAWN BY:
DATE: 1-15-96		TOBY SPARKS
ENDWALL DETAILS		DRAWING NUMBER
		4

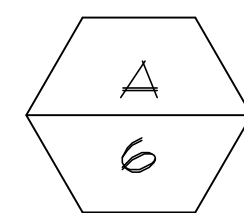
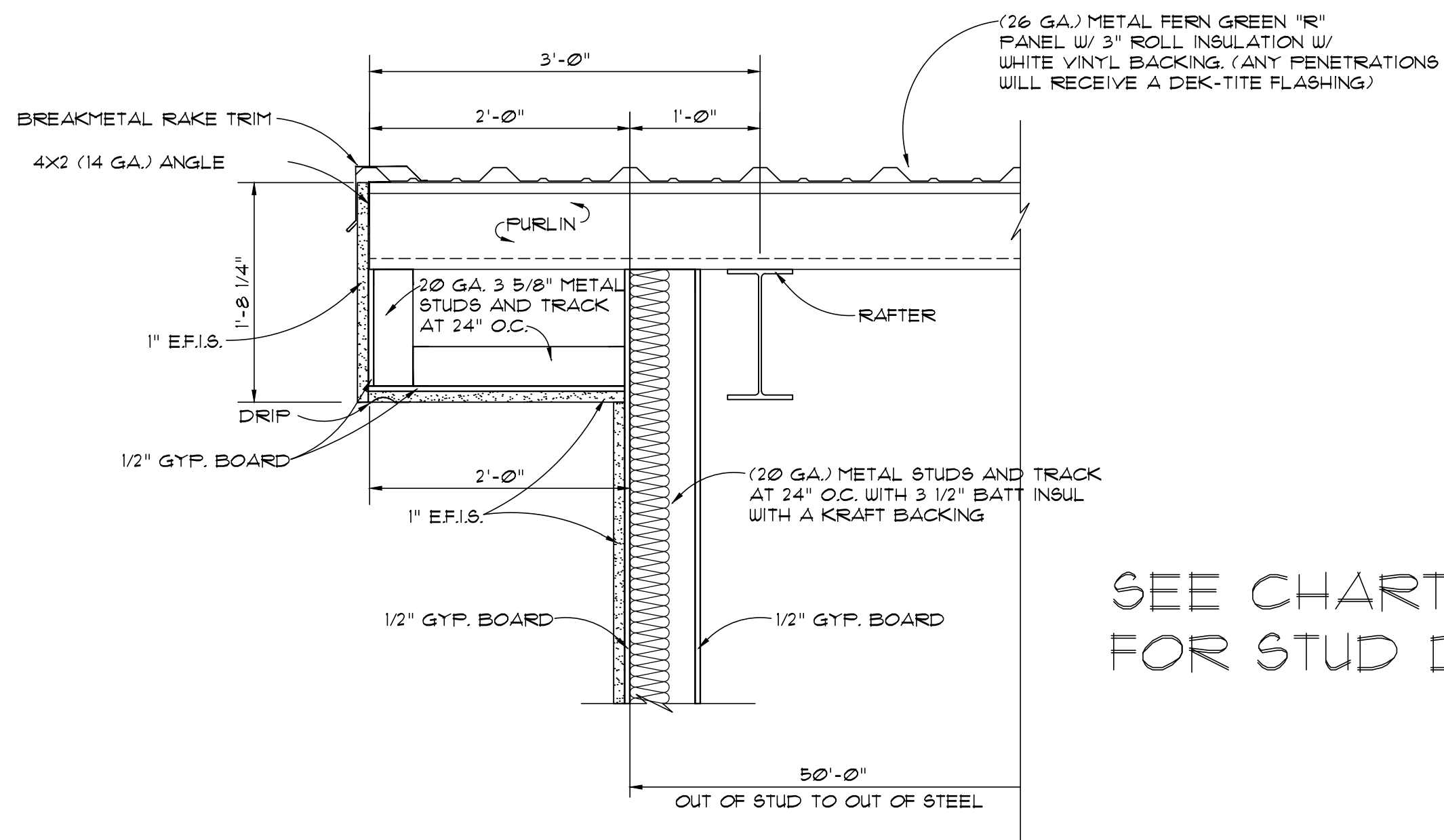


A
5

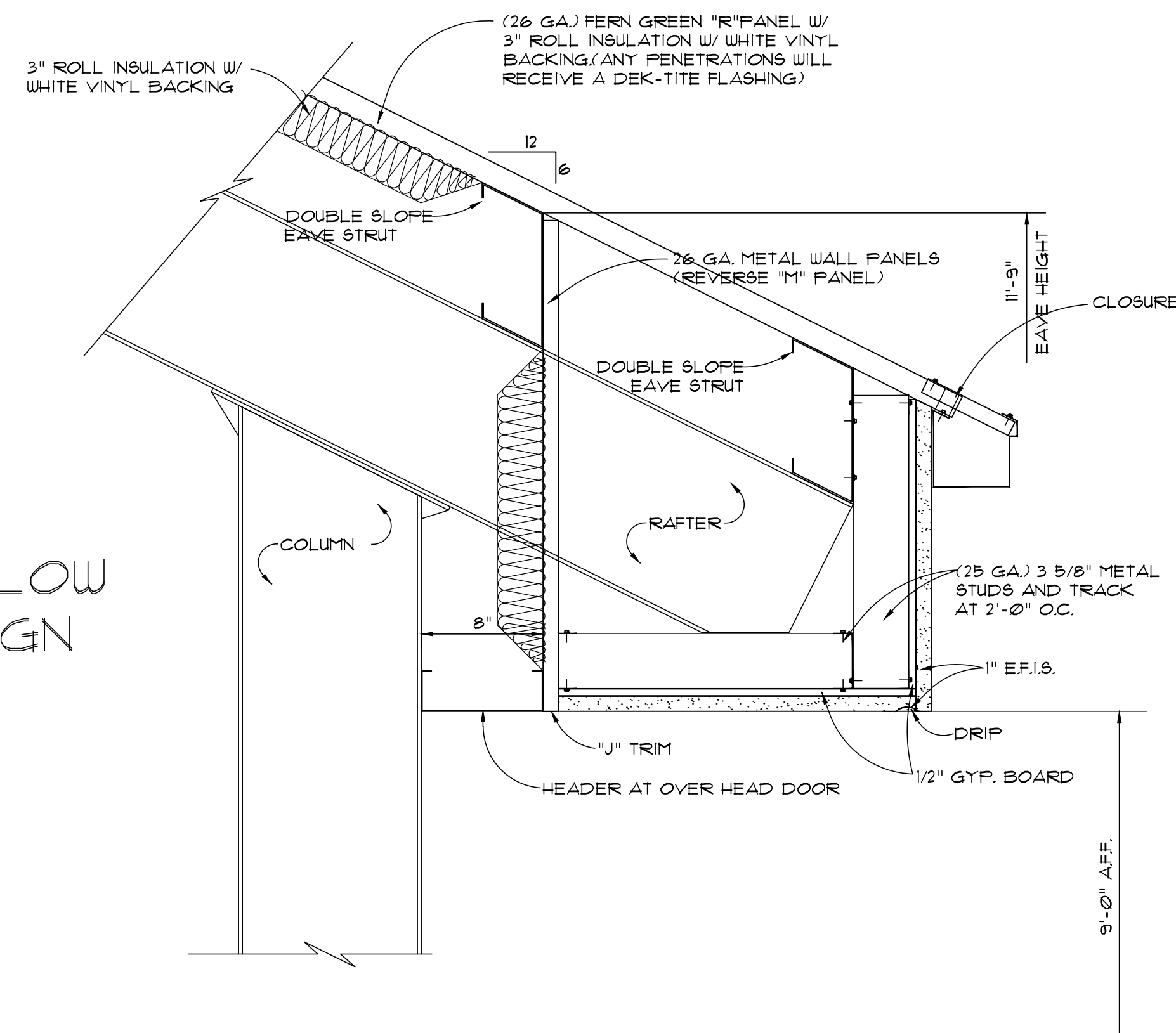
SPARKS-GRIZZARD CONSTRUCTION, Inc.

3110 LENORA CHURCH RD. SNELLVILLE, GEORGIA 30078 (404)918-9220

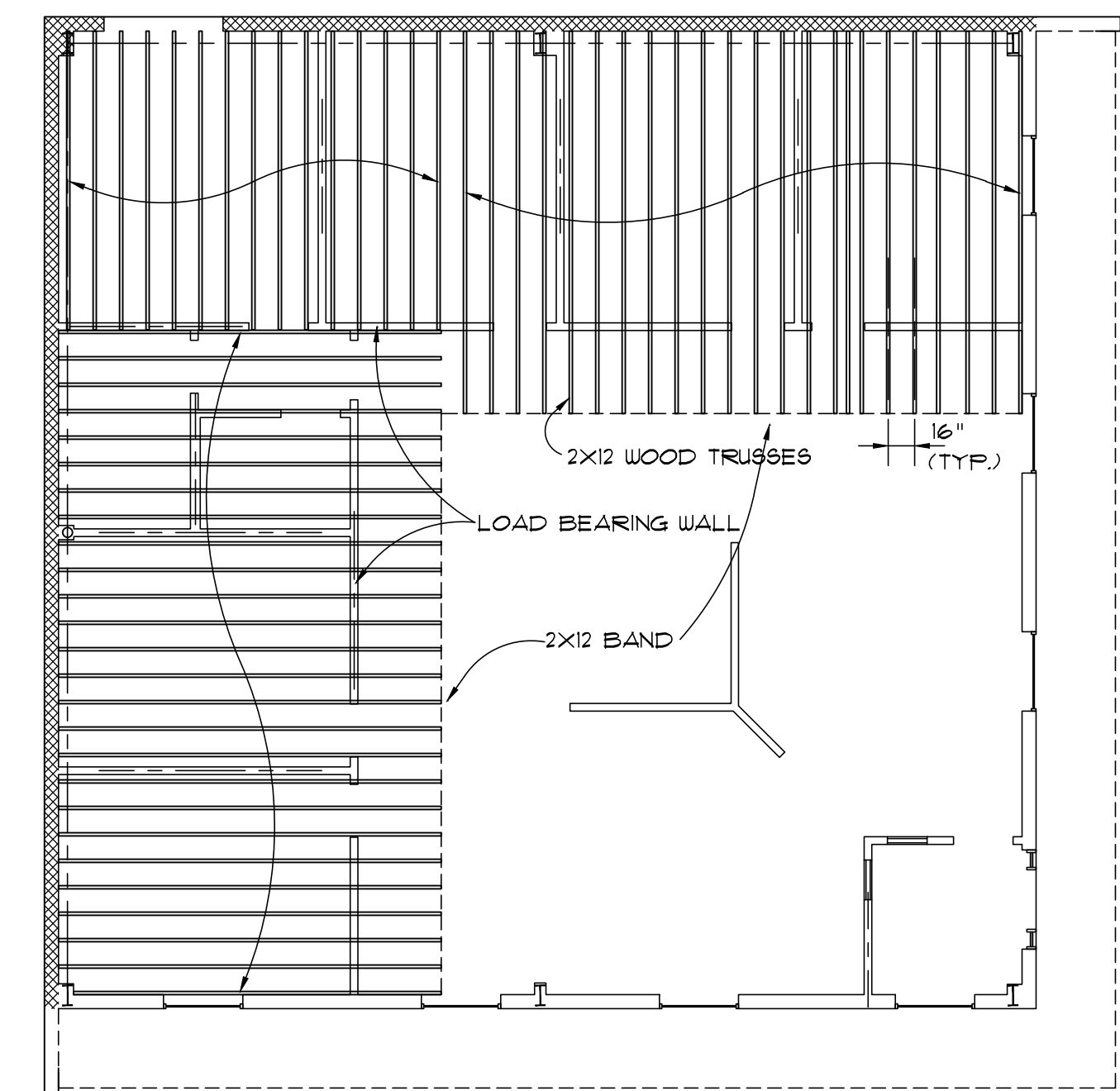
SPARKS GRIZZARD CONST. SNELLVILLE, GEORGIA		
SCALE: 1/2"=1'-0"	APPROVED BY:	DRAIN BY:
DATE: 1-15-96		TOBY SPARKS
40 X 50 CROSS SECTION		DRAWING NUMBER
		5



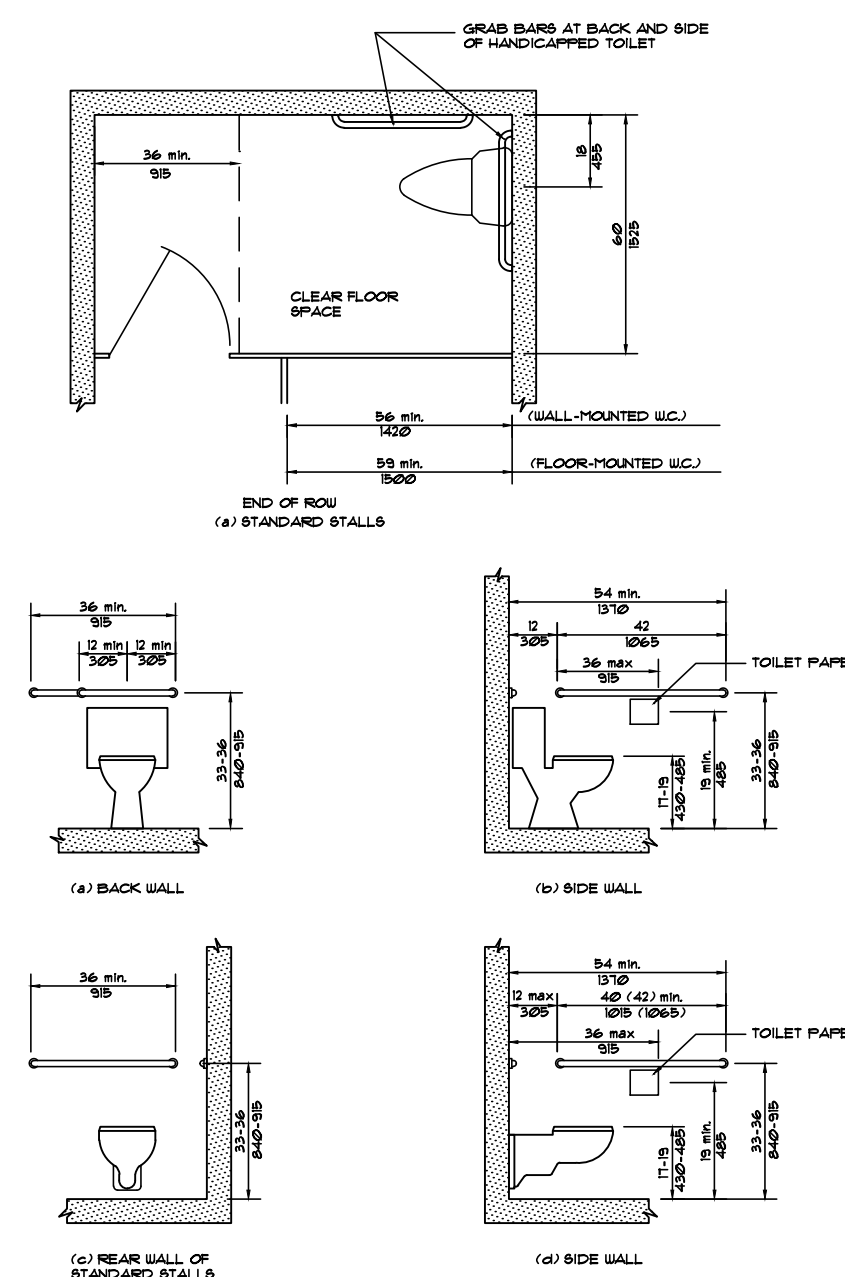
SEE CHART BELOW FOR STUD DESIGN



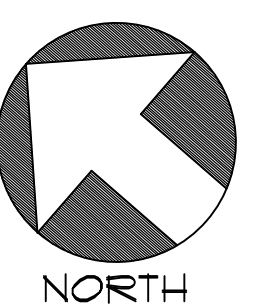
TYPICAL SOFFIT SECTION AT O.H.D. HEADER ON 40 X 50



TRUSS LAYOUT 50 X 50



ENDWALL STUD DESIGN (TYPICAL ONE ENDWALL EACH 40' BLDG.)
6" 20GA. AT 24" O.C. TO 14'-4" HIGH
6" 20 GA. AT 16" O.C. TO 16'-5" HIGH
6" 20 GA. AT 12" O.C. TO 18'-0" HIGH
6" 20 GA. AT 12" O.C. TO RIDGE (WITH KICKER BACK TO BLDG. FRAME)



SPARKS-GRIZZARD CONSTRUCTION, Inc. 		SPARKS GRIZZARD CONST. SNELLVILLE, GEORGIA	
SCALE: 1"=1'-0" DATE: 1-15-96	APPROVED BY:	DRAWN BY: TOBY SPARKS	DRAWING NUMBER: 6
3170 LENORA CHURCH RD. SNELLVILLE, GEORGIA 30278 (404)979-9220		40 X 50 SECTIONS	