



FOR LEASE | +/- 900—1,050 SF  
1103 Keller Parkway, Keller, TX

**Price:** Call for Pricing

**Available:** Ste 107: +/- 900 SF  
Ste 202: +/- 1,050 SF

**Overview**

- Flex / Warehouse / Retail Suites Available on the High Trafficked Keller Parkway.
- Convenient Access to Major Thoroughfares Including I-35 W, HWY 377, & HWY 114.
- Each Suite Includes a 10' X 10' OHD.

 +/- 900—1,050 SF  
Square Feet

 Keller Pkwy  
Frontage

 Retail  
Type

 Retail / Flex  
Proposed Use

**CONTACT:**

**JOHN TURNER**  
713.261.0516  
John@sbpcommercial.com

1400 Dallas Drive, Denton, TX | sbpcommercial.com | 940.320.1200



# SITE

1103 Keller Parkway | Keller, TX



\*\*Information contained herein was obtained from sources deemed reliable; however, Scott Brown Commercial and/or the owner(s) of the property make no guarantees, warranties, or representation as to the completeness or accuracy thereof. The presentation of the property is offered subject to errors, omissions, changes in price and/or terms, prior to sale or lease or removal from the market for any reason without notice.\*\*

**JOHN TURNER**

john@sbpcommercial.com | 713.261.0516

# SITE

1103 Keller Parkway | Keller, TX



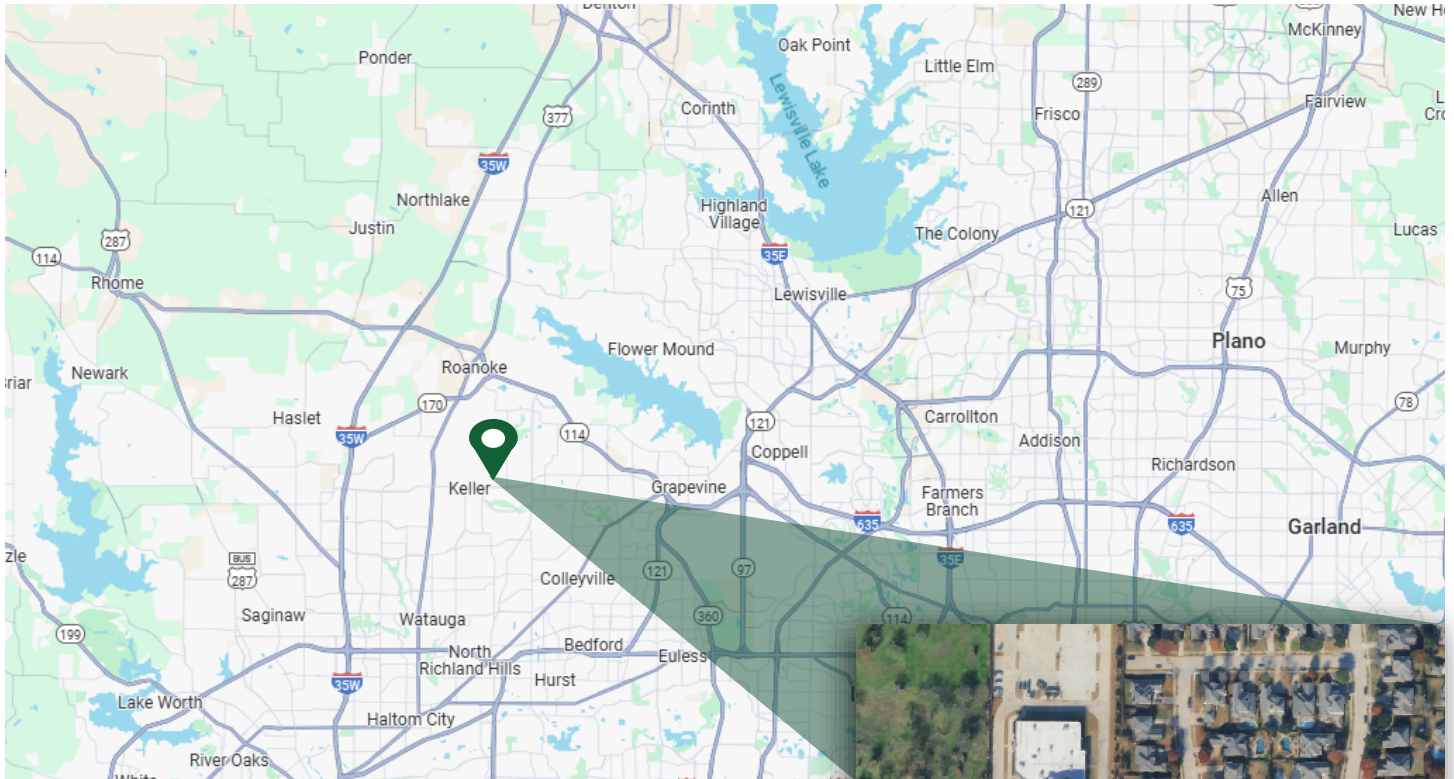
\*\*Information contained herein was obtained from sources deemed reliable; however, Scott Brown Commercial and/or the owner(s) of the property make no guarantees, warranties, or representation as to the completeness or accuracy thereof. The presentation of the property is offered subject to errors, omissions, changes in price and/or terms, prior to sale or lease or removal from the market for any reason without notice.\*\*

**JOHN TURNER**

john@sbpcommercial.com | 713.261.0516

# MAPS

1103 Keller Parkway | Keller, TX



## DRIVE TIME (To city center)

HWY 377	4 Minutes
I-35 W	9 Minutes
I-820	12 Minutes
HWY 114	14 Minutes
DFW Airport	18 Minutes
I-635	18 Minutes
Fort Worth	20 Minutes
Dallas	30 Minutes
Denton	30 Minutes
I-35 E	32 Minutes
HWY 380	35 Minutes

\*\*Information contained herein was obtained from sources deemed reliable; however, Scott Brown Commercial and/or the owner(s) of the property make no guarantees, warranties, or representation as to the completeness or accuracy thereof. The presentation of the property is offered subject to errors, omissions, changes in price and/or terms, prior to sale or lease or removal from the market for any reason without notice.\*\*

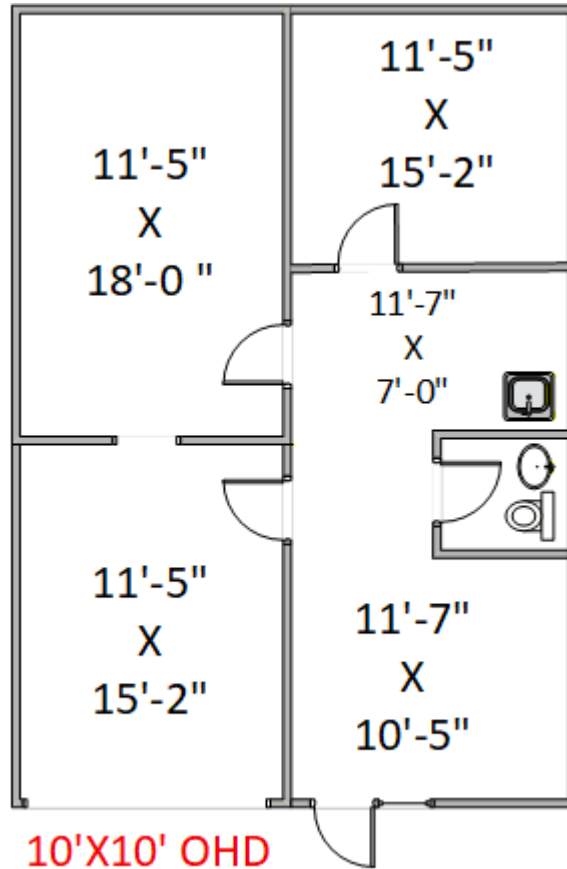
**JOHN TURNER**

john@sbpccommercial.com | 713.261.0516

# FLOOR PLAN



Suite 107: +/- 900 SF



\*\*Information contained herein was obtained from sources deemed reliable; however, Scott Brown Commercial and/or the owner(s) of the property make no guarantees, warranties, or representation as to the completeness or accuracy thereof. The presentation of the property is offered subject to errors, omissions, changes in price and/or terms, prior to sale or lease or removal from the market for any reason without notice.\*\*

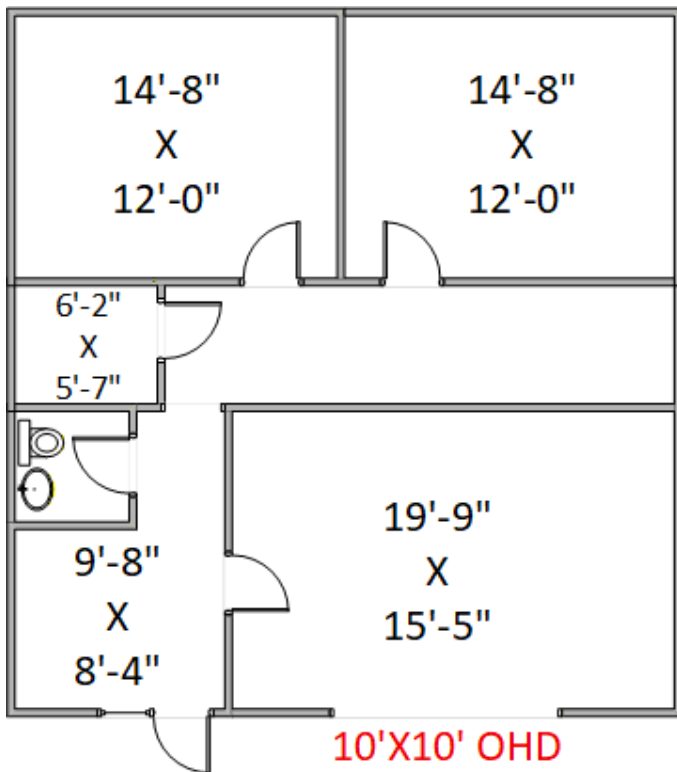
**JOHN TURNER**

john@sbpcommercial.com | 713.261.0516

# FLOOR PLAN



Suite 202: +/- 1,050 SF



\*\*Information contained herein was obtained from sources deemed reliable; however, Scott Brown Commercial and/or the owner(s) of the property make no guarantees, warranties, or representation as to the completeness or accuracy thereof. The presentation of the property is offered subject to errors, omissions, changes in price and/or terms, prior to sale or lease or removal from the market for any reason without notice.\*\*

**JOHN TURNER**

john@sbpcommercial.com | 713.261.0516



## Information About Brokerage Services

Texas law requires all real estate license holders to give the following information about brokerage services to prospective buyers, tenants, sellers and landlords.

### TYPES OF REAL ESTATE LICENSE HOLDERS:

- **A BROKER** is responsible for all brokerage activities, including acts performed by sales agents sponsored by the broker.
- **A SALES AGENT** must be sponsored by a broker and works with clients on behalf of the broker.

### A BROKER'S MINIMUM DUTIES REQUIRED BY LAW (A client is the person or party that the broker represents):

- Put the interests of the client above all others, including the broker's own interests;
- Inform the client of any material information about the property or transaction received by the broker;
- Answer the client's questions and present any offer to or counter-offer from the client; and
- Treat all parties to a real estate transaction honestly and fairly.

### A LICENSE HOLDER CAN REPRESENT A PARTY IN A REAL ESTATE TRANSACTION:

**AS AGENT FOR OWNER (SELLER/LANDLORD):** The broker becomes the property owner's agent through an agreement with the owner, usually in a written listing to sell or property management agreement. An owner's agent must perform the broker's minimum duties above and must inform the owner of any material information about the property or transaction known by the agent, including information disclosed to the agent or subagent by the buyer or buyer's agent.

**AS AGENT FOR BUYER/TENANT:** The broker becomes the buyer/tenant's agent by agreeing to represent the buyer, usually through a written representation agreement. A buyer's agent must perform the broker's minimum duties above and must inform the buyer of any material information about the property or transaction known by the agent, including information disclosed to the agent by the seller or seller's agent.

**AS AGENT FOR BOTH - INTERMEDIARY:** To act as an intermediary between the parties the broker must first obtain the written agreement of *each party* to the transaction. The written agreement must state who will pay the broker and, in conspicuous bold or underlined print, set forth the broker's obligations as an intermediary. A broker who acts as an intermediary:

- Must treat all parties to the transaction impartially and fairly;
- May, with the parties' written consent, appoint a different license holder associated with the broker to each party (owner and buyer) to communicate with, provide opinions and advice to, and carry out the instructions of each party to the transaction.
- Must not, unless specifically authorized in writing to do so by the party, disclose:
  - that the owner will accept a price less than the written asking price;
  - that the buyer/tenant will pay a price greater than the price submitted in a written offer; and
  - any confidential information or any other information that a party specifically instructs the broker in writing not to disclose, unless required to do so by law.

**AS SUBAGENT:** A license holder acts as a subagent when aiding a buyer in a transaction without an agreement to represent the buyer. A subagent can assist the buyer but does not represent the buyer and must place the interests of the owner first.

### TO AVOID DISPUTES, ALL AGREEMENTS BETWEEN YOU AND A BROKER SHOULD BE IN WRITING AND CLEARLY ESTABLISH:

- The broker's duties and responsibilities to you, and your obligations under the representation agreement.
- Who will pay the broker for services provided to you, when payment will be made and how the payment will be calculated.

**LICENSE HOLDER CONTACT INFORMATION:** This notice is being provided for information purposes. It does not create an obligation for you to use the broker's services. Please acknowledge receipt of this notice below and retain a copy for your records.

Scott Brown Properties Inc.	0475257	scott@scottbrownproperties.net	940-320-1200
Licensed Broker /Broker Firm Name or Primary Assumed Business Name	License No.	Email	Phone
Ron Bullock	0286566	Ron@sbpcommercial.com	972-571-5470
Designated Broker of Firm	License No.	Email	Phone
Ron Bullock	0286566	Ron@sbpcommercial.com	972-571-5470
Licensed Supervisor of Sales Agent/ Associate	License No.	Email	Phone
John Turner	820033	John@sbpcommercial.com	713-261-0516
Sales Agent/Associate's Name	License No.	Email	Phone

Buyer/Tenant/Seller/Landlord Initials

Date