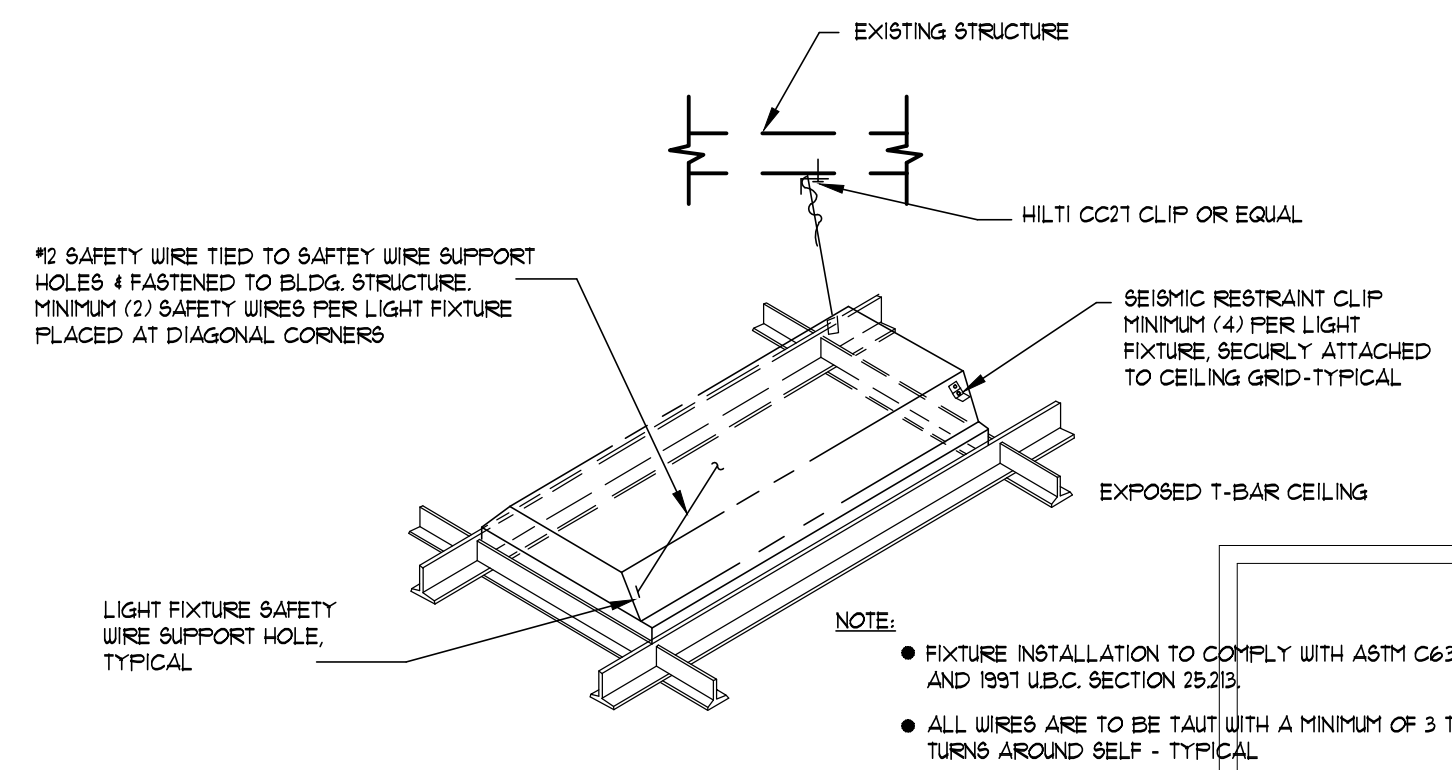


LIGHT FIXTURE SCHEDULE

CALLOUT	SYMBOL	LAMP	DESCRIPTION	MOUNTING	MODEL
A	⊙ A	3500K LED INCLUDED/30 WATTS	6" LED CAN LIGHT	RECESSED	LEDH-APK6
B	⊙ B	LED	PENDANT LIGHT FIXTURE SELECTION BY OWNER	PENDANT	
C	⊙ C	3500K LED INCLUDED/34 WATTS	LED LENSED SIDE LIGHT RECESSED TROFFER	RECESSED GRID	LUMINAIRE 9L12-(2x2) LED
D	⊙ D	3500K LED INCLUDED/34 WATTS	LED LENSED LED LUMINAIRE - TRIUMPH RECESSED TROFFER	RECESSED GRID	LUMINAIRE TRI22-(2x2) LED
F	⊙ F	3500K LED INCLUDED/34 WATTS	PENDANT LIGHT FIXTURE	PENDANT	LUXILLUMINANCE ERA-L-B2-HO-B-35K ERA PENDANT
G	⊙ G	3500K LED INCLUDED/34 WATTS	RECESSED LED 3" WIDE LINEAR LED 3000K W/ BATTERY BACK UP	RECESSED	LU ILLUMINAIRE E0630-R
H	⊙ H	3000K LED INCLUDED/39 WATTS	DECORATIVE VANITY LIGHT	SURFACE WALL	A8L COV42-BN-39-3000K-L36
K	⊙ K	3500K LED INCLUDED/30 WATTS	4" LED CAN LIGHT	RECESSED CEILING	L81 LAD4
M	⊙ M	BLUE LED INCLUDED/125 WATTS PER FOOT	BLUE LED WALL WASHER LOW VOLTAGE	SURFACE	G4G COLOR LINEAR IP68/IP65K LED LUMINAIRE
N	⊙ N	3000K LED INCLUDED/39 WATTS	WHITE LED WALL WASHER	SURFACE WALL	WLD-HU-548
P	⊙ P	LED	EXTERIOR WALL SCENE LIGHT FIXTURE SELECTION BY OWNER	SURFACE WALL	

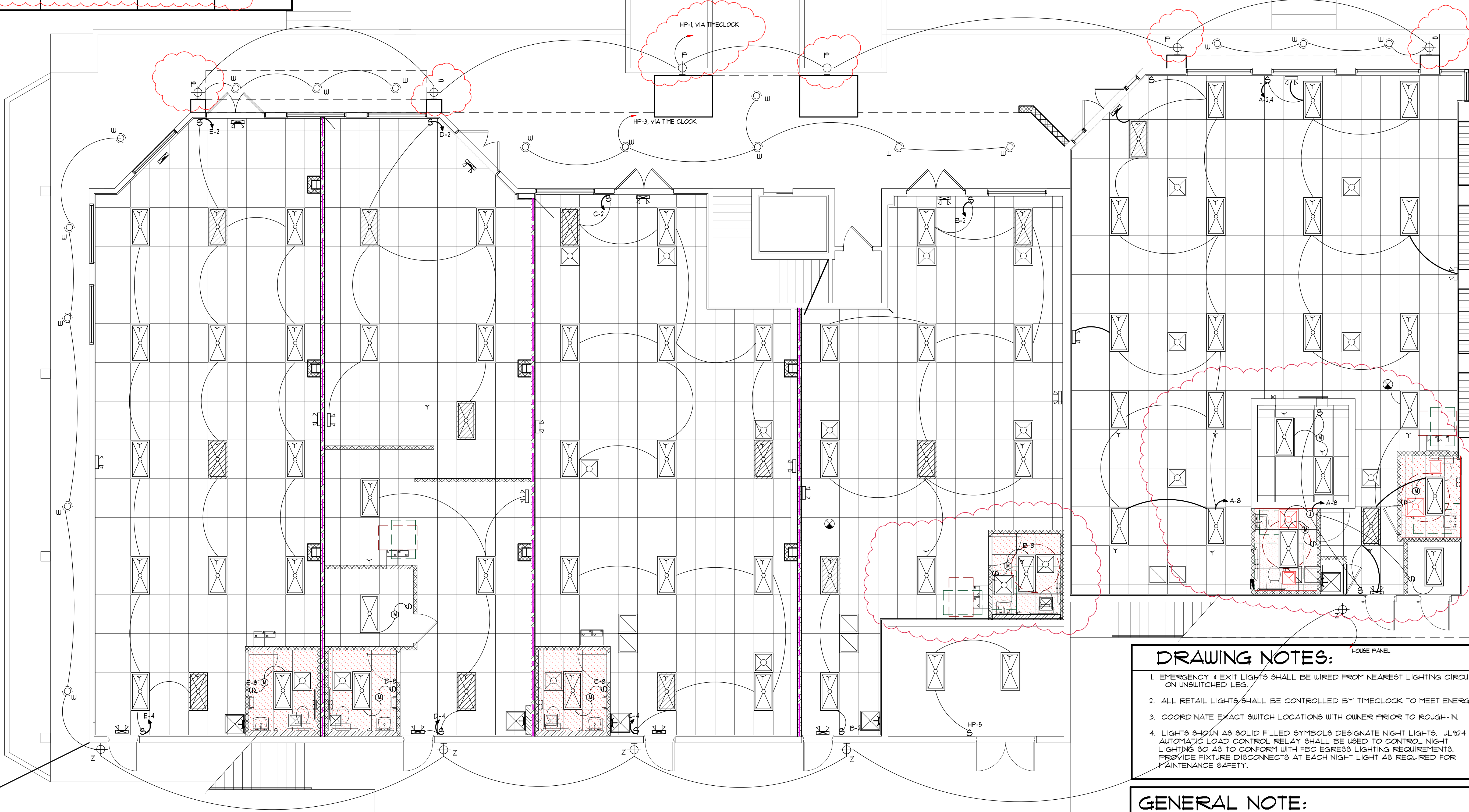


RECESSED LIGHTING FIXTURE SUPPORT DETAIL

SCALE: NT.S.

LIGHT FIXTURE SCHEDULE

CALLOUT	SYMBOL	LAMP	DESCRIPTION	MOUNTING	MODEL
Q	⊙ Q	3500K LED INCLUDED/4.95 WATTS PER FOOT	LED FLEX COVE LIGHTING	SURFACE	JESCO DL-AC-FLEX 35-LENGTH-DL-AC-FLEX-PC
KW	⊙ KW	3500K LED INCLUDED/14 WATTS	4" LED CAN LIGHT WALL WASHER	RECESSED CEILING	L81 LAD4-I2-LED-35-15-UE-TRARFL-0FCH-UH
S	⊙ S	3500K LED INCLUDED/28 WATTS	2x2 LED LENSED RECESSED TROFFER	RECESSED GRID	L81 GA22-LED-80-WU-UE
W	⊙ W	3500K LED INCLUDED/30 WATTS	6" LED CAN LIGHT WET LOCATION	RECESSED	LUM-TECH LEDH-CFK4-14-8-30-UZTD-LEDT-R441-HC-UH-UH
Y	⊙ Y	(4) 32W T8	4-LAMP LENSED	RECESSED	LITHONIA OR EQUAL 28P8 4 32 120
Z	⊙ Z		SECURITY FLOOD LIGHT	SURFACE	
EM	⊙ EM	(1) 20W INCLUDED	EMERGENCY LIGHT	WALL	LITHONIA OR EQUAL 6ELM2
EX	⊙ EX	(1) 20W INCLUDED	EXIT LIGHT	WALL/CEILING/BACK	LITHONIA OR EQUAL LQ*5UBR120ELN
EXEM	⊙ EXEM	(1) 20W INCLUDED	EMERGENCY/EXIT LIGHT	WALL / CEILING	LITHONIA OR EQUAL LHQM
L-CON	⊙ L-CON		LIGHT CONTROL PANEL		GENTEC KAMELEON
BB	⊙ BB	LED	PENDANT LIGHT FIXTURE EXTERIOR SELECTION BY OWNER	PENDANT	



DRAWING NOTES:

- EMERGENCY & EXIT LIGHTS SHALL BE WIRED FROM NEAREST LIGHTING CIRCUIT ON UNSWITCHED LEG.
- ALL RETAIL LIGHTS SHALL BE CONTROLLED BY TIMECLOCK TO MEET ENERGY CODES.
- COORDINATE EXACT SWITCH LOCATIONS WITH OWNER PRIOR TO ROUGH-IN.
- LIGHTS SHOWN AS SOLID FILLED SYMBOLS DESIGNATE NIGHT LIGHTS. UL924 AUTOMATIC LOAD CONTROL RELAY SHALL BE USED TO CONTROL NIGHT LIGHTING SO AS TO CONFORM WITH FIRE EGRESS LIGHTING REQUIREMENTS. PROVIDE FIXTURE DISCONNECTS AT EACH NIGHT LIGHT AS REQUIRED FOR MAINTENANCE SAFETY.

GENERAL NOTE:

CONTRACTOR SHALL CONSTRUCT AN ON SITE MEETING WITH THE ELECTRICAL CONTRACTOR TO VERIFY EXISTING ELECTRICAL CONDITIONS. MINUTES OF SUCH MEETING AND FINDINGS SHALL BE SUBMITTED TO THE ARCHITECT PRIOR TO CONSTRUCTION.

NEW FIRST FLOOR LIGHTING PLAN

SCALE : 3/16" = 1'-0"

© COPYRIGHT 2018 SOFARELLI & ASSOCIATES

ISSUED FOR:
PERMIT

CURTIS T. LATZO
FLORIDA STATE BOARD
OF ENGINEERING
PE#22005

PROJECT:

N.O.F.
CORPORATE OFFICE
6130 22nd AVE. NORTH
ST. PETERSBURG, FLORIDA 33710

SAXA
SOFARELLI & ASSOCIATES ARCHITECTURE
MICHAEL F. SOFARELLI JR. A.I.A.
6365 42nd AVENUE NORTH
CLEARWATER, FLORIDA 33760 17271 530-3835
EMAIL: sofarellif@jaxa.net

Revisions:
06/26/18
OVER REVISION

Content:
NEW FIRST FLOOR LIGHTING PLAN

Filename:
NOF

Date:
05-10-2018

Proj. no.
17070

Sheet:
4