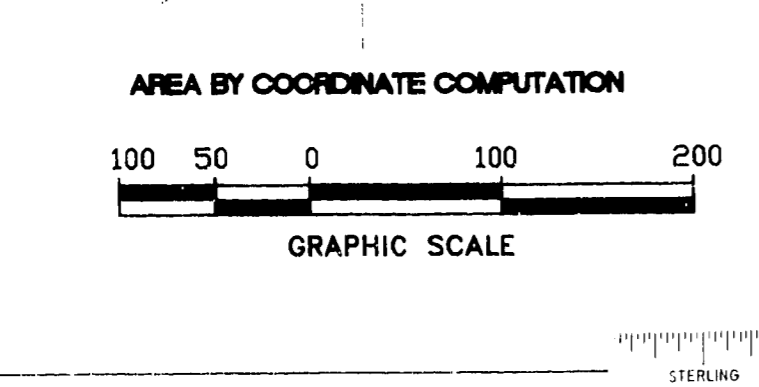
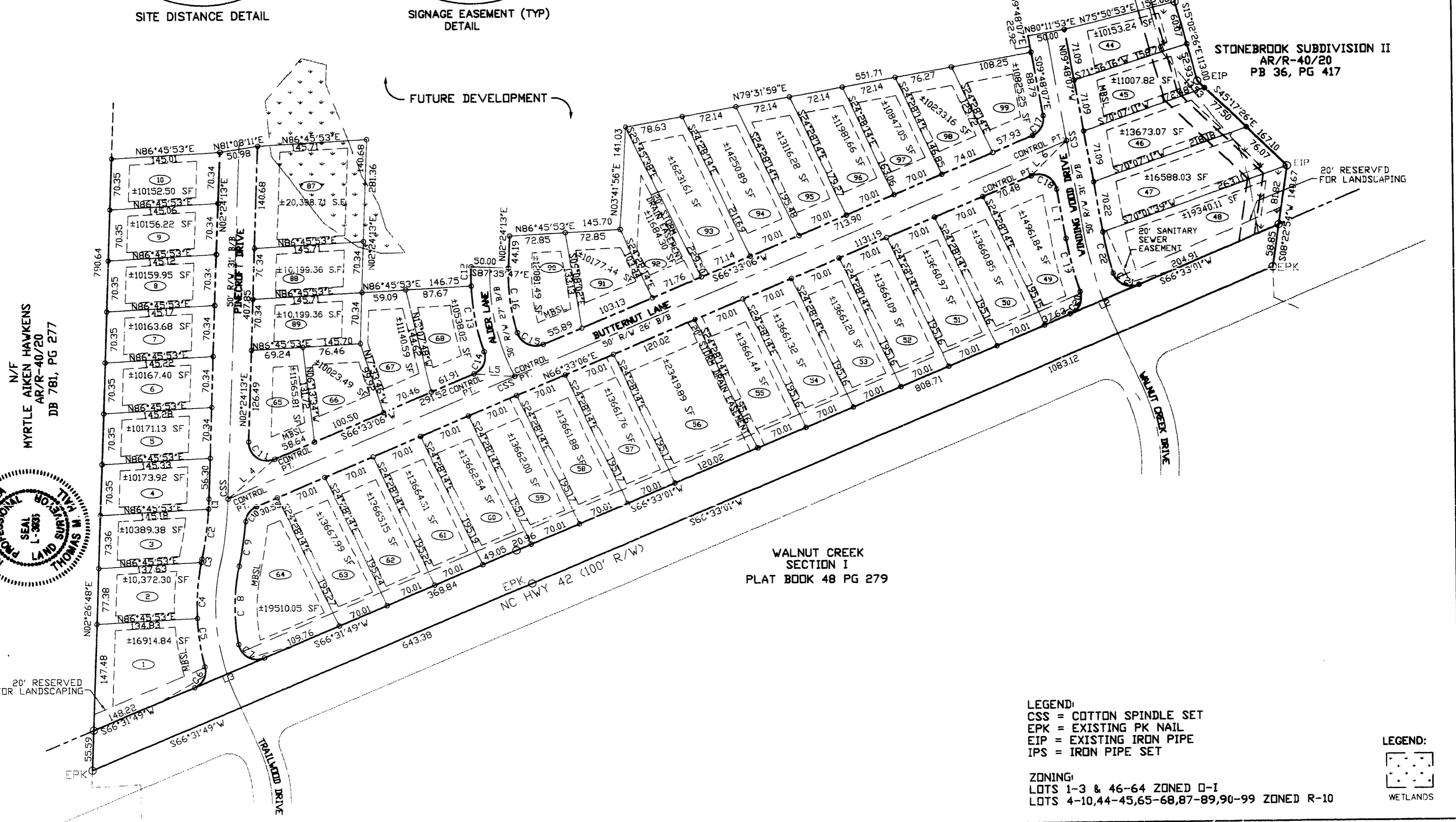
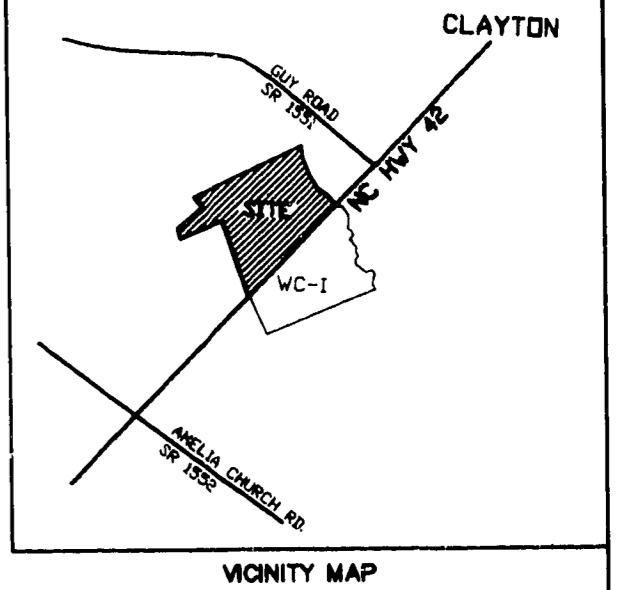
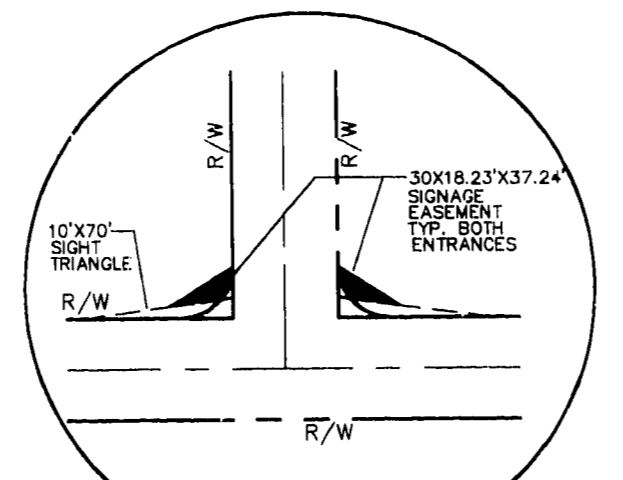
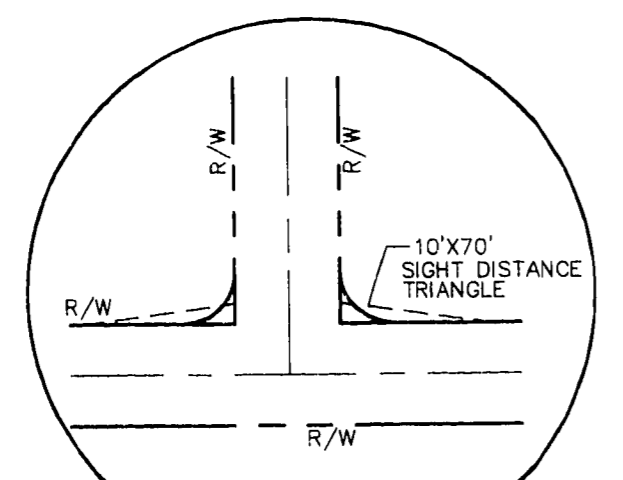
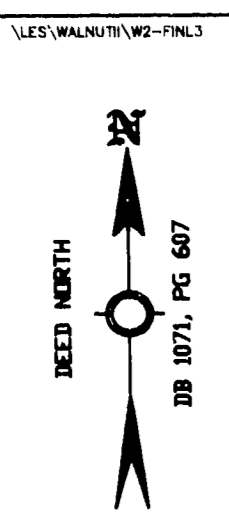


STATE OF NORTH CAROLINA Johnston COUNTY
 Filed for Registration at 8:15 A.M.
January 8 1999 in the
 Register of Deeds Office
 Recorded in Book 53 Page 278
Stephen A. Hall BY Clayton W. Stealey, deputy
 REGISTER OF DEEDS

STATE OF NORTH CAROLINA _____ COUNTY
 I, Thomas M. Hall, Review Officer of _____ County,
 certify that the map or plat to which this certification is
 affixed meets all statutory requirements for recording.
 DATE: _____ REVIEW OFFICER: _____

STATE OF NORTH CAROLINA Johnston COUNTY
 I, Thomas M. Hall, certify that this plat was drawn
 under my supervision from an actual survey made under my supervision or does
 description recorded in Book _____ Page _____ information found in book
 not surveyed are shown as broken lines plotted from information found in book
 1:25,597.4; that this error closure as calculated and approved in accordance with G.S. 47-30 as
 amended.
 Witness my original signature, registration number and seal this 18 day
of January A.D., 1999
Stephen A. Hall Land Surveyor



THIS MAP REFLECTS REVISIONS
 BY THE TOWN OF CLAYTON
 DATED 12/3/98.

SOUTHWIND
 SURVEYING AND ENGINEERING, INC.
 201 GLEN ROAD
 GARNER, N.C. 27529
 919-773-0183
 919-773-0148 (FAX)
 SURVEYING/ENGINEERING/LAND DEVELOPMENT

FINAL PLAT			
WALNUT CREEK II PHASE I			
SHT. 1 OF 2			
TOWNSHIP	CLAYTON	COUNTY	JOHNSTON
STATE	NC		
SURVEYED BY	DRAWN BY LES		
DATE	12/18/98	SCALE	1"=100'
DRAWING NO.	SW950608		