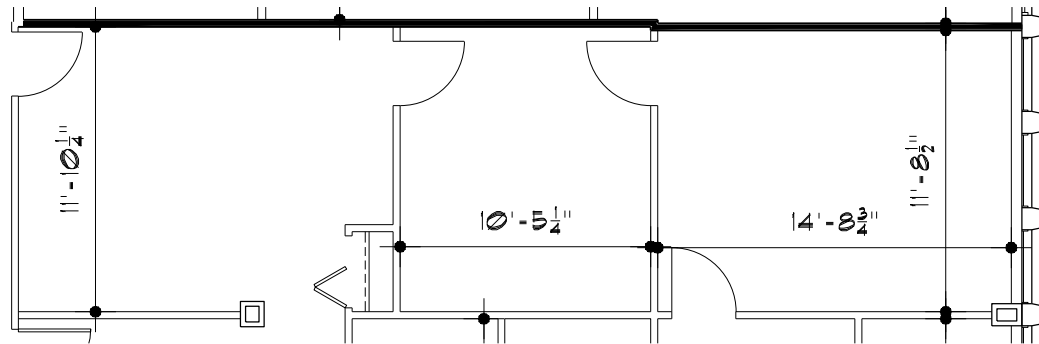


# BINGHAM OFFICE PARK

30100 TELEGRAPH BINGHAM FARMS, MI 48025



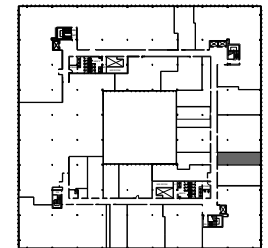
30100 TELEGRAPH ROAD  
SUITE 366  
BINGHAM FARMS, MI 48025  
(248) 399-9999  
FAX: (248) 399-9393



## SUITE 474

10.31.18 SCALE: 1/4" = 1'-0"

506 USF  
557 RSF



## FOURTH FLOOR KEY PLAN

NO SCALE