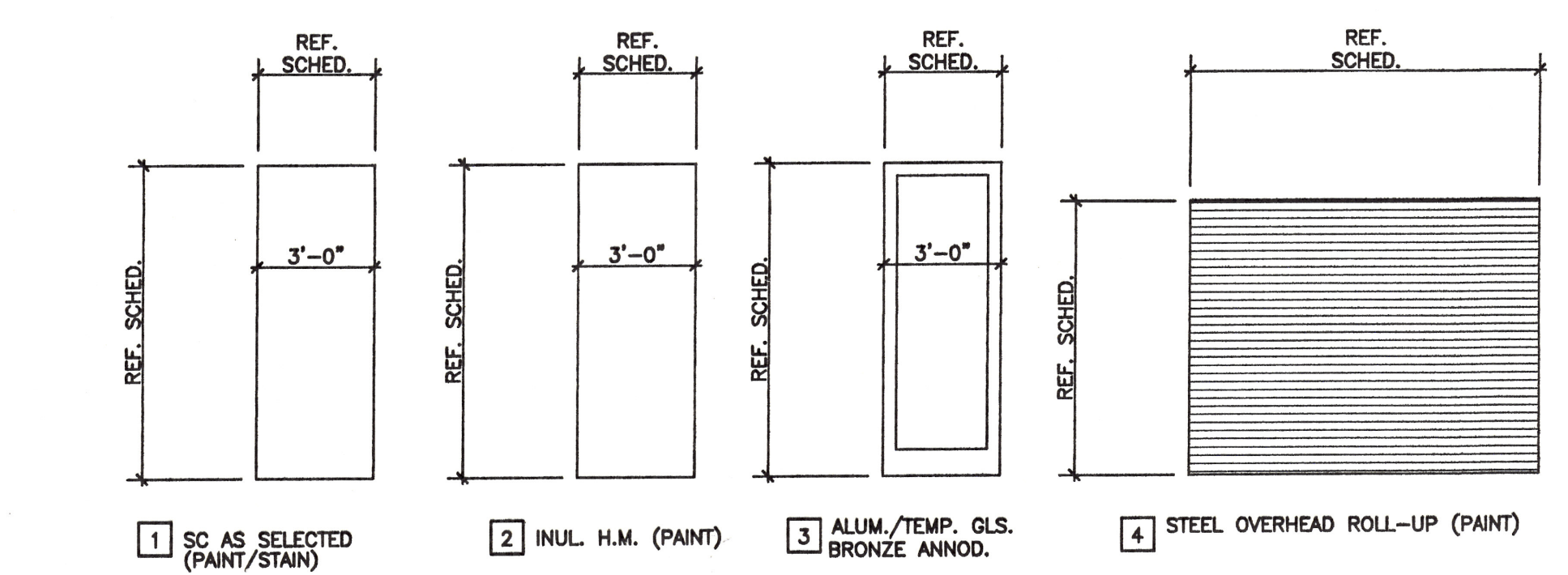
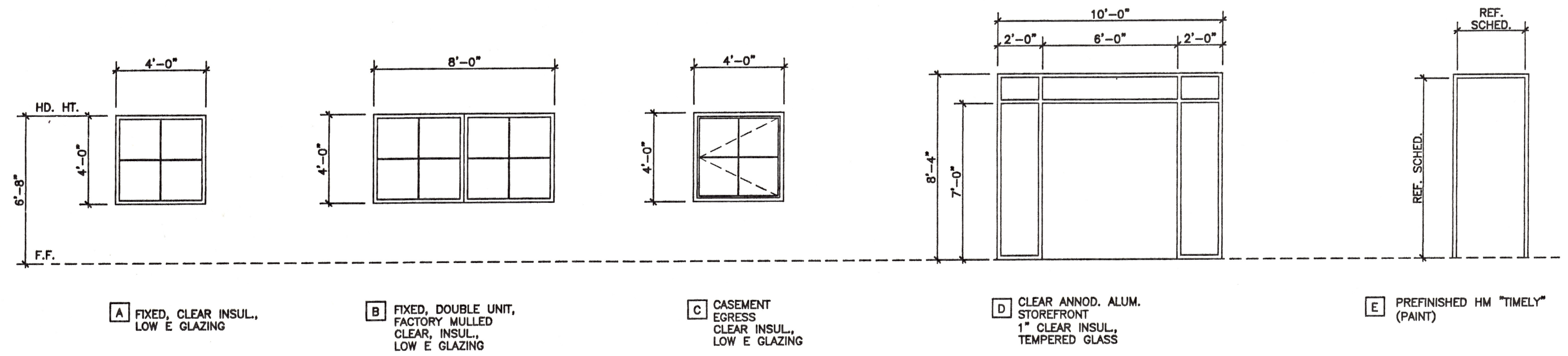


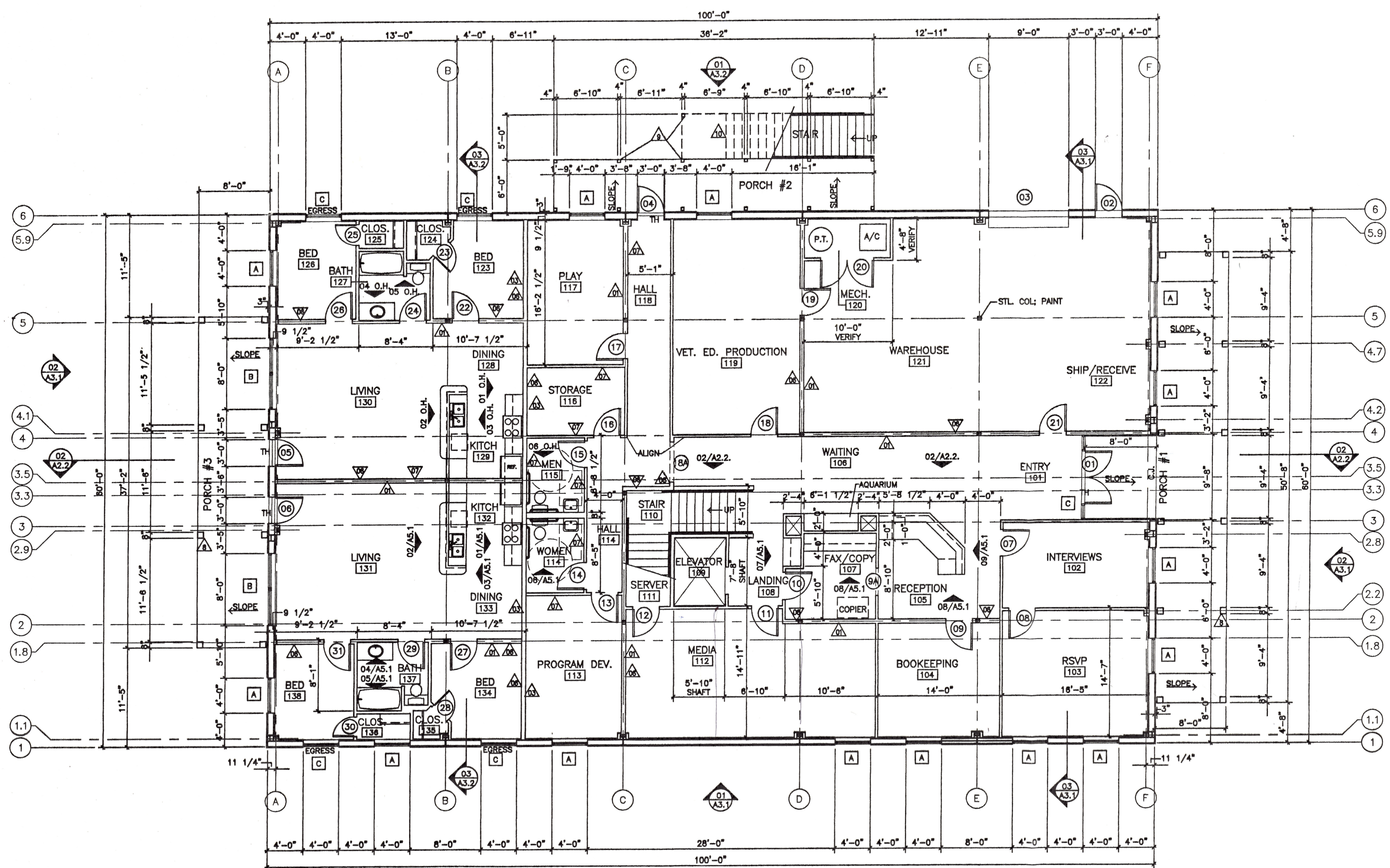
DOOR SCHEDULE										NOTE: COORDINATE SECURITY SYSTEM AND KEYING W/ OWNER		
MARK	SIZE (NOM.)	TYPE	MATL	FRM	FRM	DETAILS				FIRE RATING	HW SET	REMARKS
						HEAD	JAMB	THRSH	TRANS			
01	3'-0" x 6'-8"	PR	3	AL	D	AL						PANIC CLOSER
02	3'-0" x 6'-8"		2	HM	E	WD						LOCK CLOSER
03	9'-0" x 6'-8"		4	STL		HM						ROLL-UP SECTIONAL STEEL DOOR AS SELECTED
04	3'-0" x 6'-8"		2	HM	E	WD						PANIC CLOSER
05	3'-0" x 6'-8"		2	HM	E	WD						LOCK
06	3'-0" x 6'-8"		2	HM	E	WD						LOCK
07	3'-0" x 6'-8"		1	SC	E	WD						LOCK PREHUNG UNIT
08	3'-0" x 6'-8"		1	SC	E	WD						LOCK PREHUNG UNIT
09	3'-0" x 6'-8"		1	SC	E	WD						LOCK PREHUNG UNIT
09A	3'-0" x 6'-8"	C.O.										CASED OPENING
10	3'-0" x 6'-8"		1	SC	E	WD						PASS. PREHUNG UNIT
11	3'-0" x 6'-8"		1	SC	E	WD						LOCK PREHUNG UNIT
12	3'-0" x 6'-8"		1	SC	E	WD						LOCK PREHUNG UNIT
13	3'-0" x 6'-8"		1	SC	E	WD						LOCK PREHUNG UNIT
14	3'-0" x 6'-8"		1	SC	E	WD						LOCK PREHUNG UNIT
15	3'-0" x 6'-8"		1	SC	E	WD						LOCK PREHUNG UNIT
16	3'-0" x 6'-8"		1	SC	E	WD						LOCK PREHUNG UNIT
17	3'-0" x 6'-8"		1	SC	E	WD						LOCK PREHUNG UNIT
18	3'-0" x 6'-8"		1	SC	E	WD						LOCK PREHUNG UNIT
18A	4'-6" x 6'-8"	C.O.										STAINED CASED OPENING
19	3'-0" x 6'-8"		1	SC	E	WD						LOCK PREHUNG UNIT
20	3'-0" x 6'-8"	PR	1	SC	E	WD						PASS. PREHUNG UNIT
21	3'-0" x 6'-8"		1	SC	E	WD						LOCK PREHUNG UNIT
22	3'-0" x 6'-8"		1	SC	E	WD						PASS. PRE-HUNG UNIT
23	2'-4" x 6'-8"		1	SC	E	WD						PASS. PRE-HUNG UNIT
24	3'-0" x 6'-8"		1	SC	E	WD						PASS. PRE-HUNG UNIT
25	3'-0" x 6'-8"		1	SC	E	WD						LOCK PREHUNG UNIT
26	3'-0" x 6'-8"		1	SC	E	WD						PASS. PRE-HUNG UNIT
27	3'-0" x 6'-8"		1	SC	E	WD						PASS. PRE-HUNG UNIT
28	2'-4" x 6'-8"		1	SC	E	WD						PASS. PRE-HUNG UNIT
29	3'-0" x 6'-8"		1	SC	E	WD						PASS. PRE-HUNG UNIT
30	3'-0" x 6'-8"		1	SC	E	WD						LOCK PREHUNG UNIT
31	3'-0" x 6'-8"		1	SC	E	WD						PASS. PRE-HUNG UNIT
32	3'-0" x 6'-8"		2	HM	E	WD						PANIC CLOSER
33	3'-0" x 6'-8"		2	HM	E	WD						PANIC CLOSER
34	3'-0" x 6'-8"		2	HM	E	WD						LOCK
35	3'-0" x 6'-8"		2	HM	E	WD						LOCK
36	3'-0" x 6'-8"		1	SC	E	WD						LOCK PREHUNG UNIT
37	3'-0" x 6'-8"		1	SC	E	WD						LOCK PREHUNG UNIT
38	3'-0" x 6'-8"		1	SC	E	WD						LOCK PREHUNG UNIT
39	3'-0" x 6'-8"		1	SC	E	WD						LOCK PREHUNG UNIT
40	3'-0" x 6'-8"		1	SC	E	WD						LOCK PREHUNG UNIT
41	3'-0" x 6'-8"		1	SC	E	WD						LOCK PREHUNG UNIT
42	3'-0" x 6'-8"		1	SC	E	WD						LOCK PREHUNG UNIT
43	3'-0" x 6'-8"		1	SC	E	WD						LOCK PREHUNG UNIT
44	3'-0" x 6'-8"		1	SC	E	WD				20 MIN.		PANIC PREHUNG UNIT, CLOSER, AUDIBLE ALARM
45	3'-0" x 6'-8"		1	SC	E	WD						LOCK PREHUNG UNIT
46	3'-0" x 6'-8"		1	SC	E	WD				20 MIN.		LOCK PREHUNG UNIT
47	3'-0" x 6'-8"		1	SC	E	WD				20 MIN.		LOCK PREHUNG UNIT, CLOSER
48	3'-0" x 6'-8"		1	SC	E	WD						P/P PREHUNG UNIT, CLOSER
49	3'-0" x 6'-8"		1	SC	E	WD						P/P PREHUNG UNIT, CLOSER
50	3'-0" x 6'-8"		1	SC	E	WD						LOCK PREHUNG UNIT, CLOSER



DOOR TYPES



WINDOW/FRAME TYPES



01 FIRST FLOOR PLAN

1/8"

GENERAL NOTES

1. ALL DIMENSIONS ARE TO FACE OF STUD, U.N.O.
2. ALL INTERIOR ELEVATIONS REFERENCED TO SHEET AS.1, U.N.O.
3. ALL INTERIOR PARTITIONS 2x4, U.N.O.

KEY NOTES

- △01 ALIGN CENTERLINE OF PARTITION WITH COLUMN LINE
- △02 1 HOUR FIRE RATED PARTITION TO FLOOR DECK ABOVE W/ACoust. BATT INSUL.
- △03 1 HOUR RATED SHAFT WALL TO ROOF DECK
- △04 ALIGN PARTITION WITH PARTITION BELOW
- △05 1 HOUR RATED PARTITION TO ROOF DECK, W/ ACoust. BATT INSUL TO CLG.
- △06 2x6 STUD WALL
- △07 ACoust. BATT INSUL THIS WALL
- △08 8x8 WD. COL., REFER STRUCT.
- △09 STEEL COL.; REFER STRUCT. (PAINT)
- △10 STEEL STAIR; REFER. STRUCT. (PAINT)
- △11 42" HIGH WD. RAIL, PER CODE