

No.	Revisions	Date

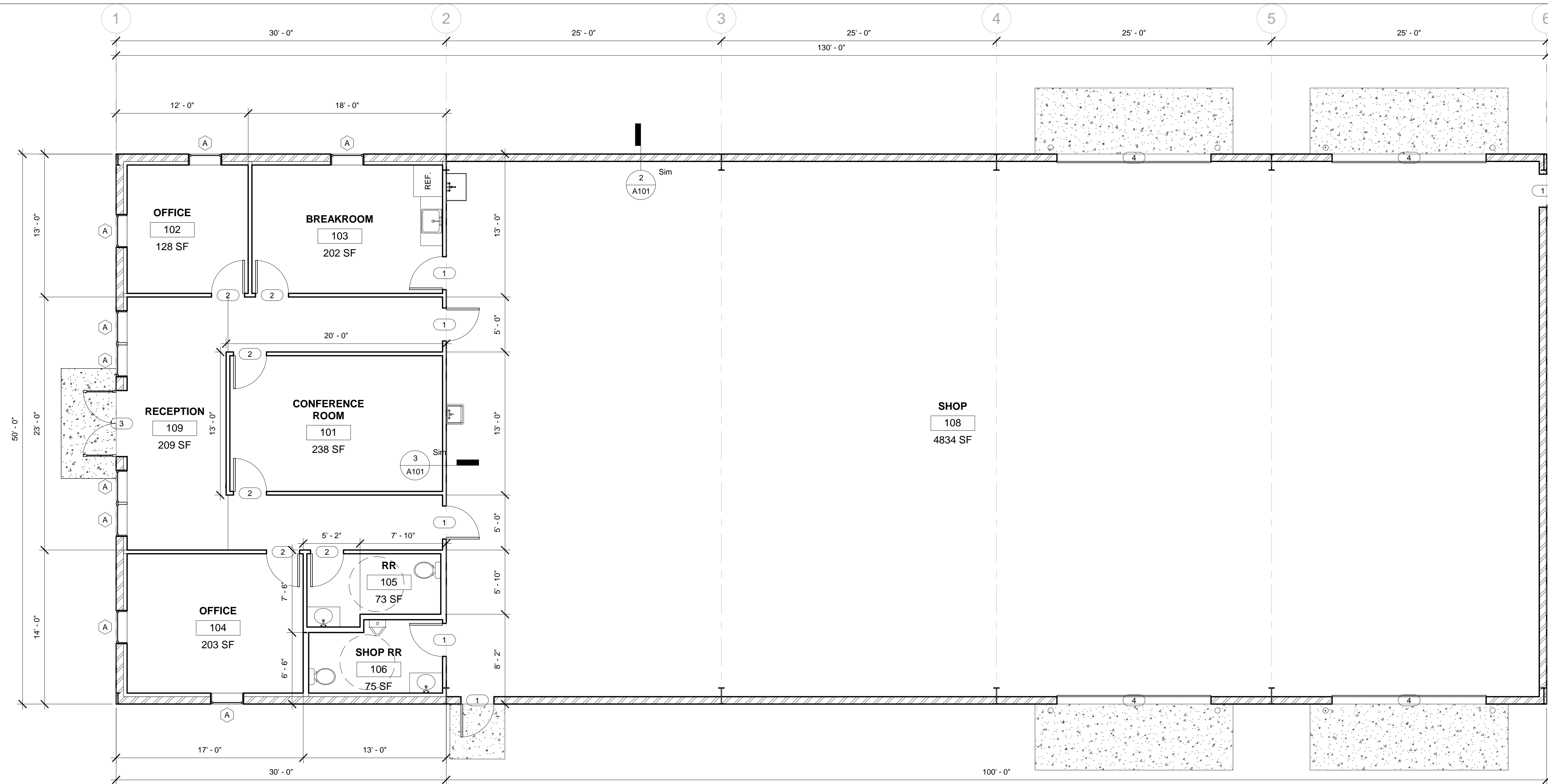
KEYSTONE ENERGY GROUP

FLOOR PLAN

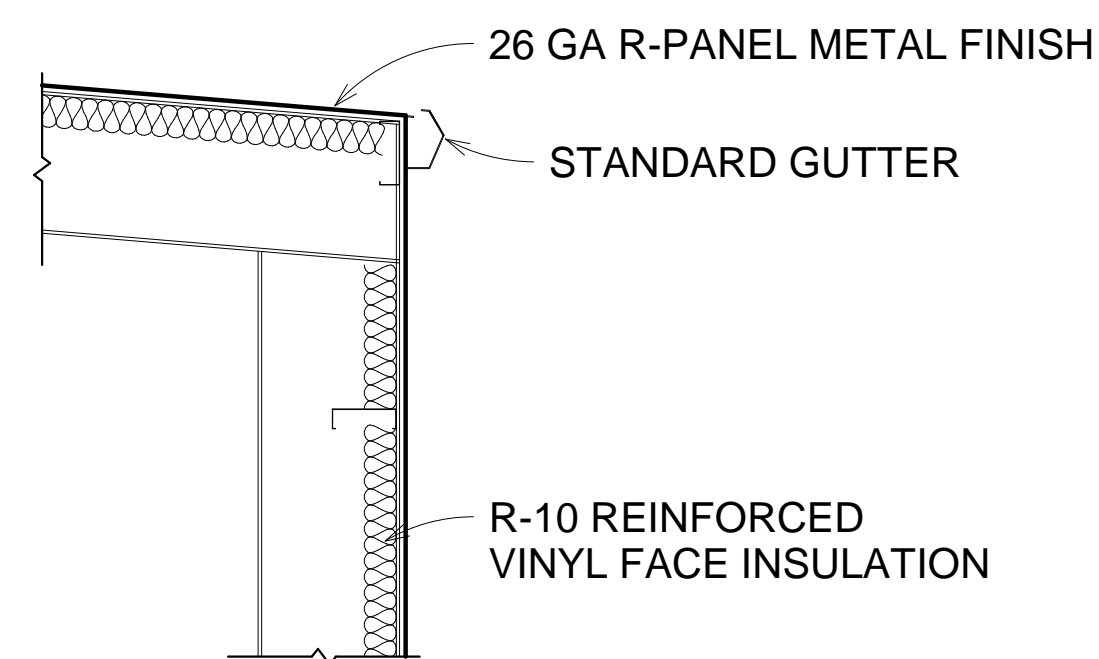
Project number	-
Date	10/31/18
Drawn by	MF
Checked by	RF

A101

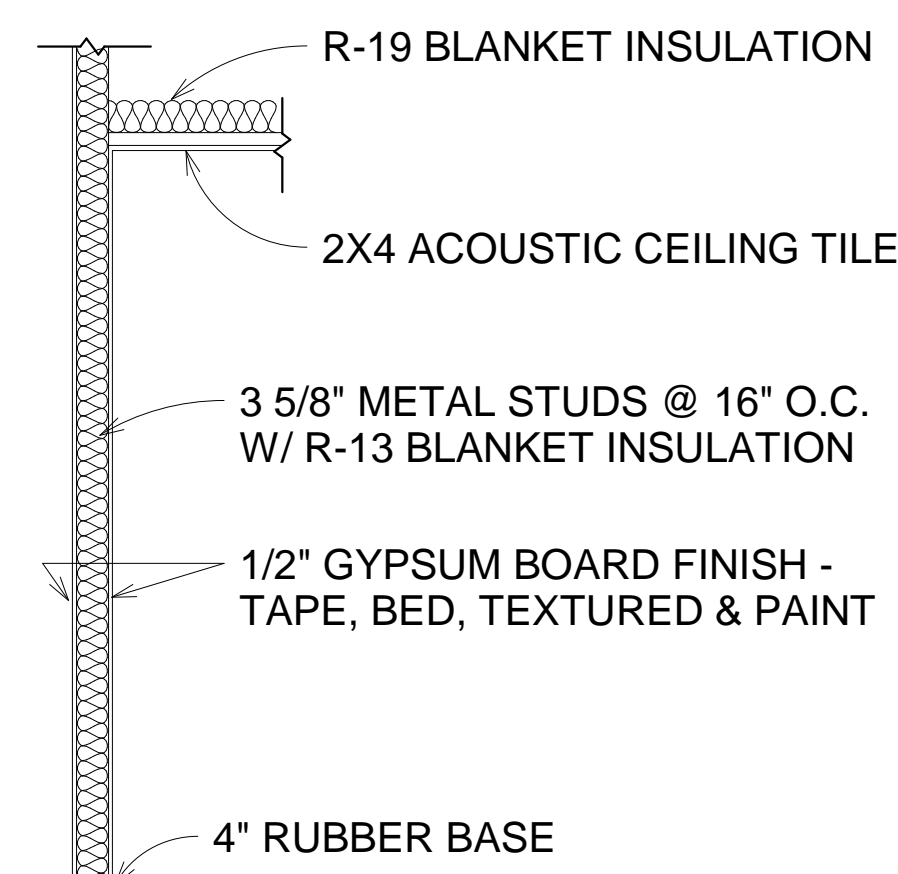
Scale	As indicated
11/19/2018 1:28:46 PM	



1 LEVEL 1
3/16" = 1'-0"



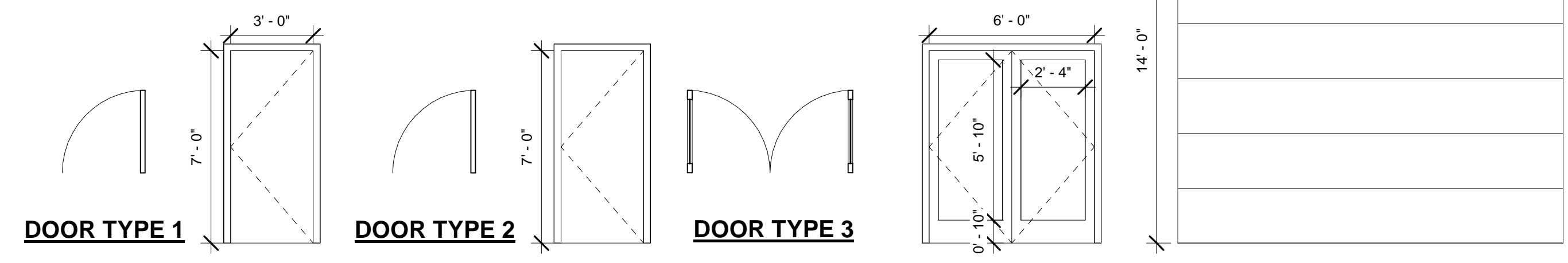
2 TYPICAL EXTERIOR 8" METAL WALL
1/2" = 1'-0"



3 TYPICAL INTERIOR 4" PARTITION WALL
1/2" = 1'-0"

WINDOW SCHEDULE						
MARK	QUANTITY	SIZE		CONSTRUCTION TYPE	COMMENTS	
		WIDTH	HEIGHT			
A	9	3'-0"	5'-0"	TEMPERED LOW-E BRONZE GLASS & ALUMINUM		

DOOR SCHEDULE							
MARK	QUANTITY	SIZE		CONSTRUCTION TYPE	FINISH	FRAME MATERIAL	COMMENTS
		WIDTH	HEIGHT				
1	6	3'-0"	7'-0"	INSULATED METAL	PAINT	STEEL	
2	6	3'-0"	7'-0"	SOLID WOOD CORE	PAINT	PAINTED WOOD	
3	1	6'-0"	7'-0"	TEMPERED LOW-E BRONZE GLASS	-	ALUMINUM	
4	4	14'-0"	14'-0"	INSULATED STEEL BACK SECTIONAL	PRIMER	STEEL	



DOOR LEGEND
1/4" = 1'-0"