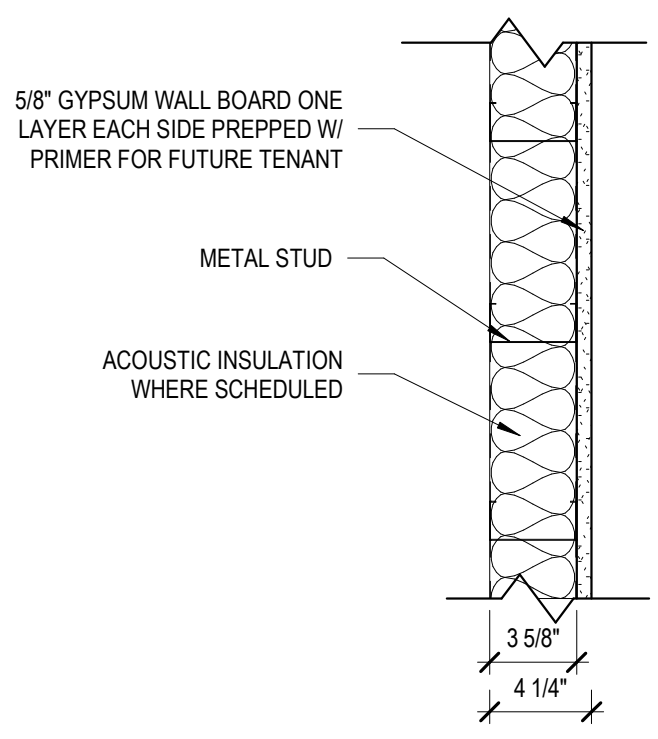


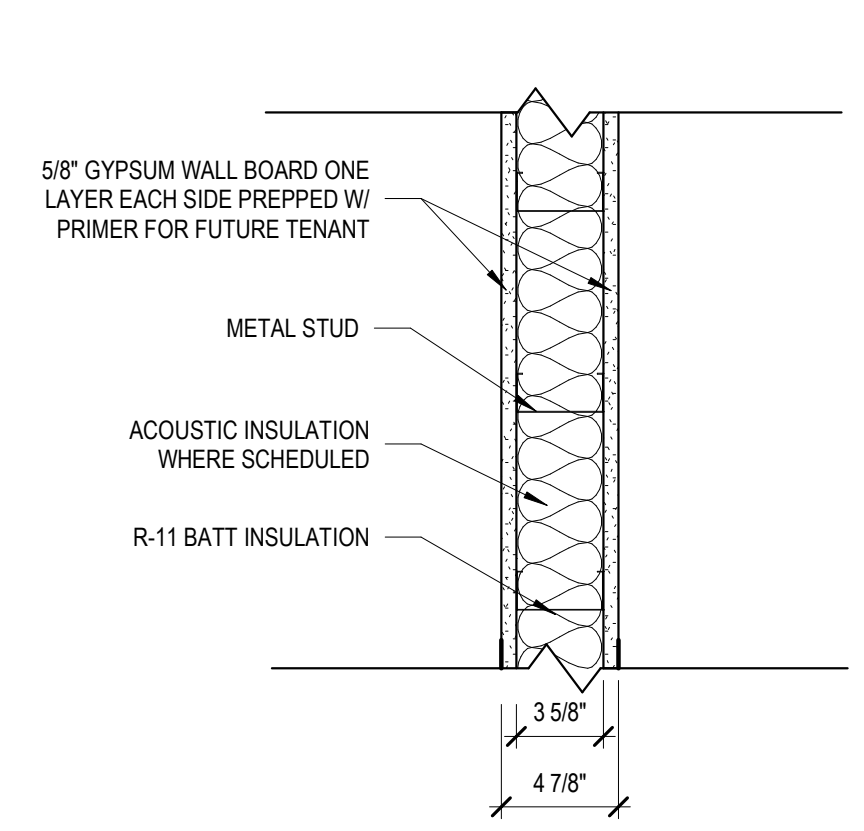
BINDING EDGE

WALL LEGEND

	NEW TENANT WALL
	FUTURE TENANT WALL
	EXISTING CMU WALL
	NEW CMU WALL



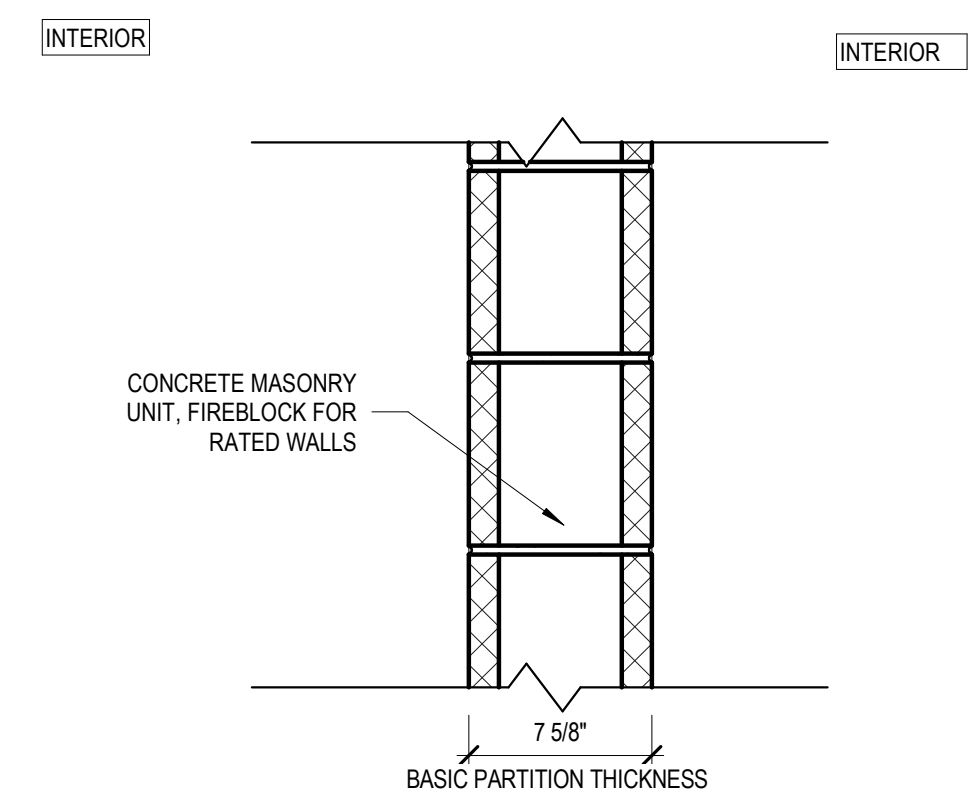
D3 A40/41 PARTITION DETAIL_W
1 1/2" = 1'-0"



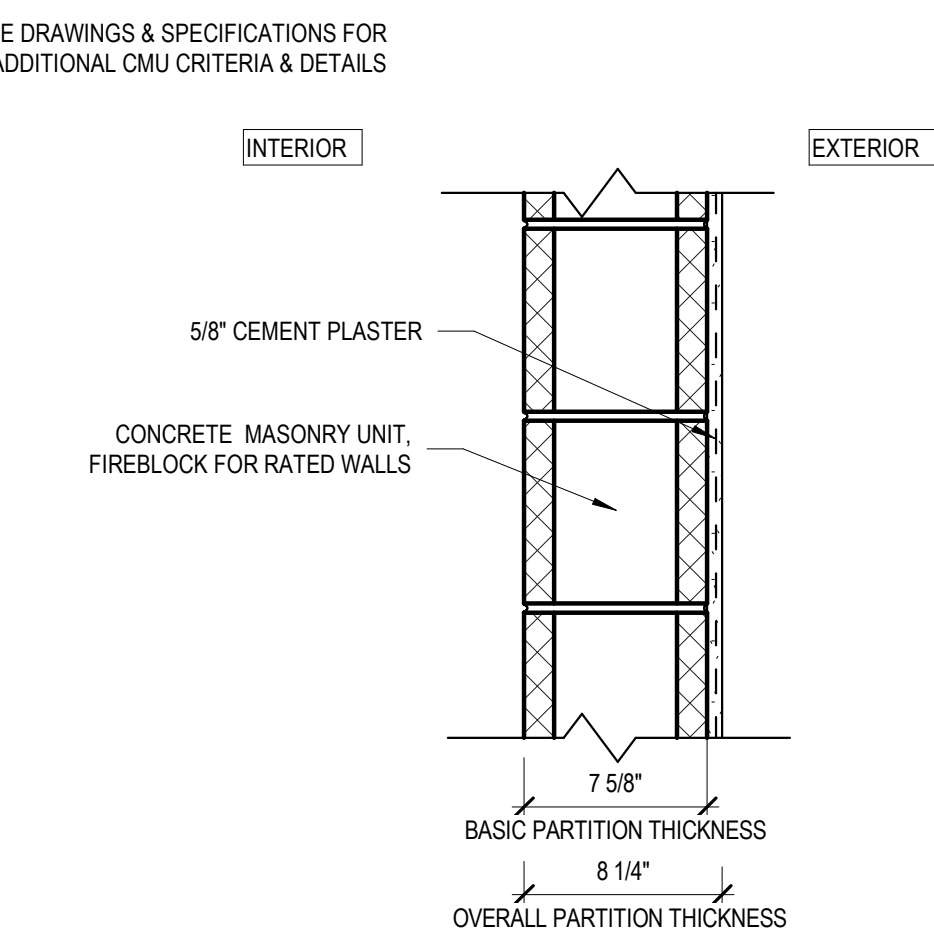
D2 A30/31 PARTITION_W
1 1/2" = 1'-0"

FIRE RESISTANCE FOR NON-LOAD BEARING PARTITIONS BUILT TO THE STRUCTURE ABOVE. * SEE BELOW FOR EQUIVALENT THICKNESS REQUIRED.	RATING NOT REQ'D		
	(P30)	(P40)	(P50)
1 HOUR RATING	P31 46.3%	P41 34.1%	P51 22.4%
2 HOUR RATING	P32 64.0%	P42 47.3%	P52 31.0%
BASIC PARTITION THICKNESS	7 5/8"	7 5/8"	7 5/8"
OVERALL PARTITION THICKNESS	9 3/4"	8 1/4"	7 5/8"
FIRE TEST NUMBER (WHERE APPLICABLE)	U906	U906	U906

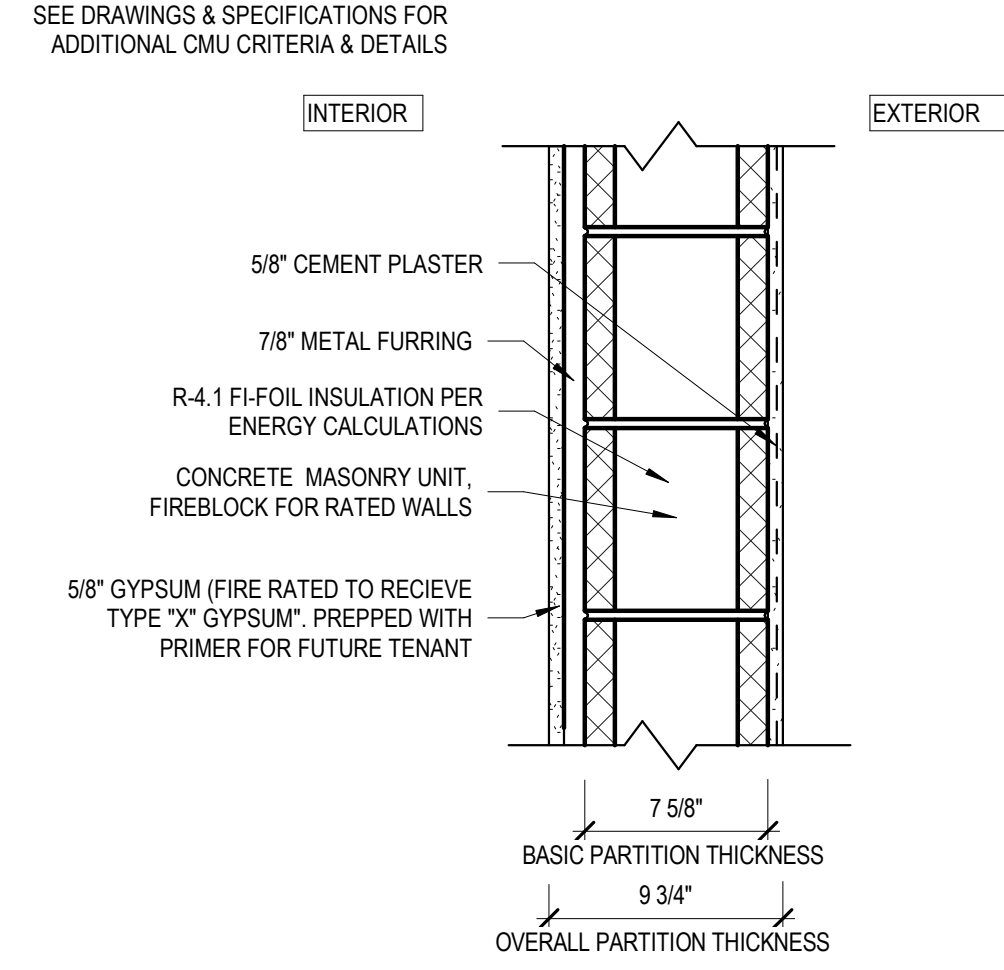
D1 PARTITION - TYPE P_W
12" = 1'-0"



C4 P50/51 PARTITION DETAIL_W
1 1/2" = 1'-0"



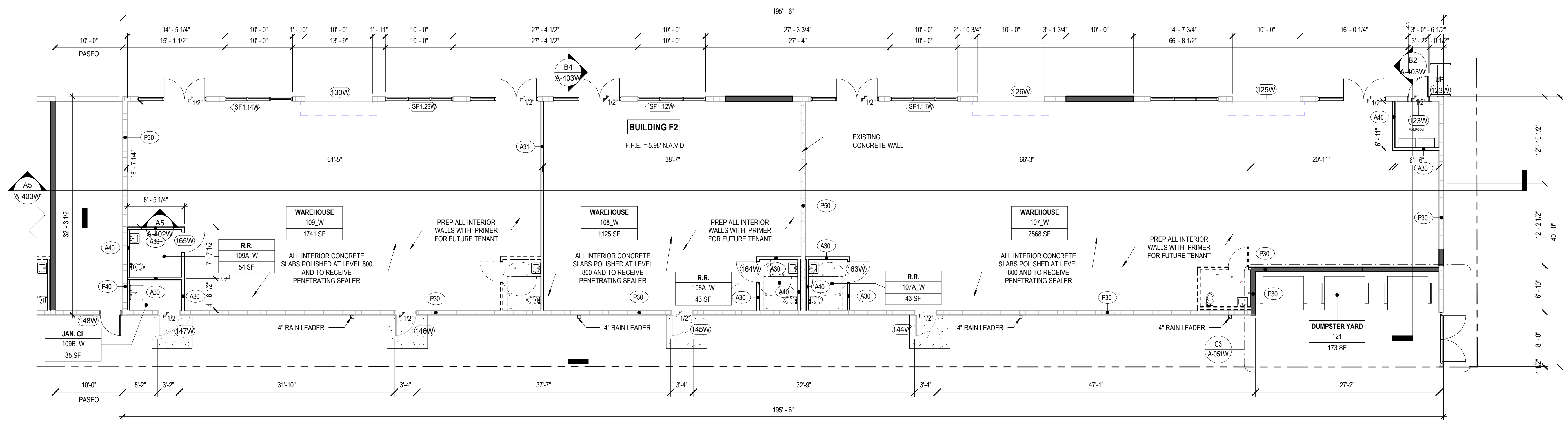
C3 P40/P41 PARTITION DETAIL_W
1 1/2" = 1'-0"



C2 P30/P31 PARTITION_W
1 1/2" = 1'-0"

STUDS TO STRUCTURE ABOVE (SEE DETAILS)	NON RATED WITH GB TO STRUCTURE ABOVE	
	(A30)	(A40)
1 HR. RATED WITH GB TO STRUCTURE ABOVE	(A31)	(A41)
NON RATED WITH GB TO 6" ABOVE CEILING	(A32)	(A42)
NON RATED WITH STUDS & GB TO FINISHED CEILING (SEE DETAILS) *	(A33)	(A43)
NON RATED PARTIAL HEIGHT PARTITION WITH GB TO X'-0" AFF (SEE DETAIL) *	(A34)	(A44)
STUD SIZE	3 5/8"	3 5/8"
GB THICKNESS	5/8"	5/8"
BASIC PARTITION THICKNESS	4 7/8"	4 1/4"
STUD GAUGE (INDICATED OR SEE SPEC)	20, 22 OR 25	20, 22 OR 25
STUD SPACING (INDICATED OR SEE SPEC)	16" OR 24"	16" OR 24"
ACOUSTICAL INSULATION	NO	YES
ACOUSTICAL RATING (STC)	40	49
ACOUSTICAL TEST NUMBER	SIM. USG 860808	SIM. USG 870717
FIRE TEST NUMBER (WHERE APPLICABLE)	UL DES U465	UL DES U465

C1 PARTITION - TYPE A_W
12" = 1'-0"



A5 BUILDING F2 FLOOR PLAN
1/8" = 1'-0"

ARCHITECT:
MKDA FL
ARCHITECTURE + PLANNING + INTERIORS + BRANDING
2750 NW 3RD AVENUE, SPACE 6
MIAMI, FLORIDA 33127
AA26002738 ID26001526
MKDA FL, LLC © 2020
This drawing is the property of MKDA FL, LLC unless otherwise provided for by contract. The contents of this drawing are confidential and shall not be transmitted to any party except as authorized by the Architect/ Engineer of Record.
CLIENT:

[THRIVE]

CONSULTANT:
Kimley Horn
Expect More. Experience Better.

CONSULTANT:
MCE

CONSULTANT:
arpe engineering inc

CONSULTANT:
IKOHN CONSULTANT

PERMIT SUBMITTAL

THRIVE DEVELOPMENT
701-745 NW 5TH AVENUE, FORT LAUDERDALE, 33311

REVISIONS

Number	Description	Date
3	FIELD COORDINATION	8/31/2022

Date: 3/01/2021
Scale: As indicated
Drawn: MM
Checked: RR
Approved: JAP

SEAL & SIGNATURE:

PROJECT NAME:
PROJECT NUMBER: 9186-1
DESCRIPTION:

BLDG F2 FLOOR PLAN

A-103W