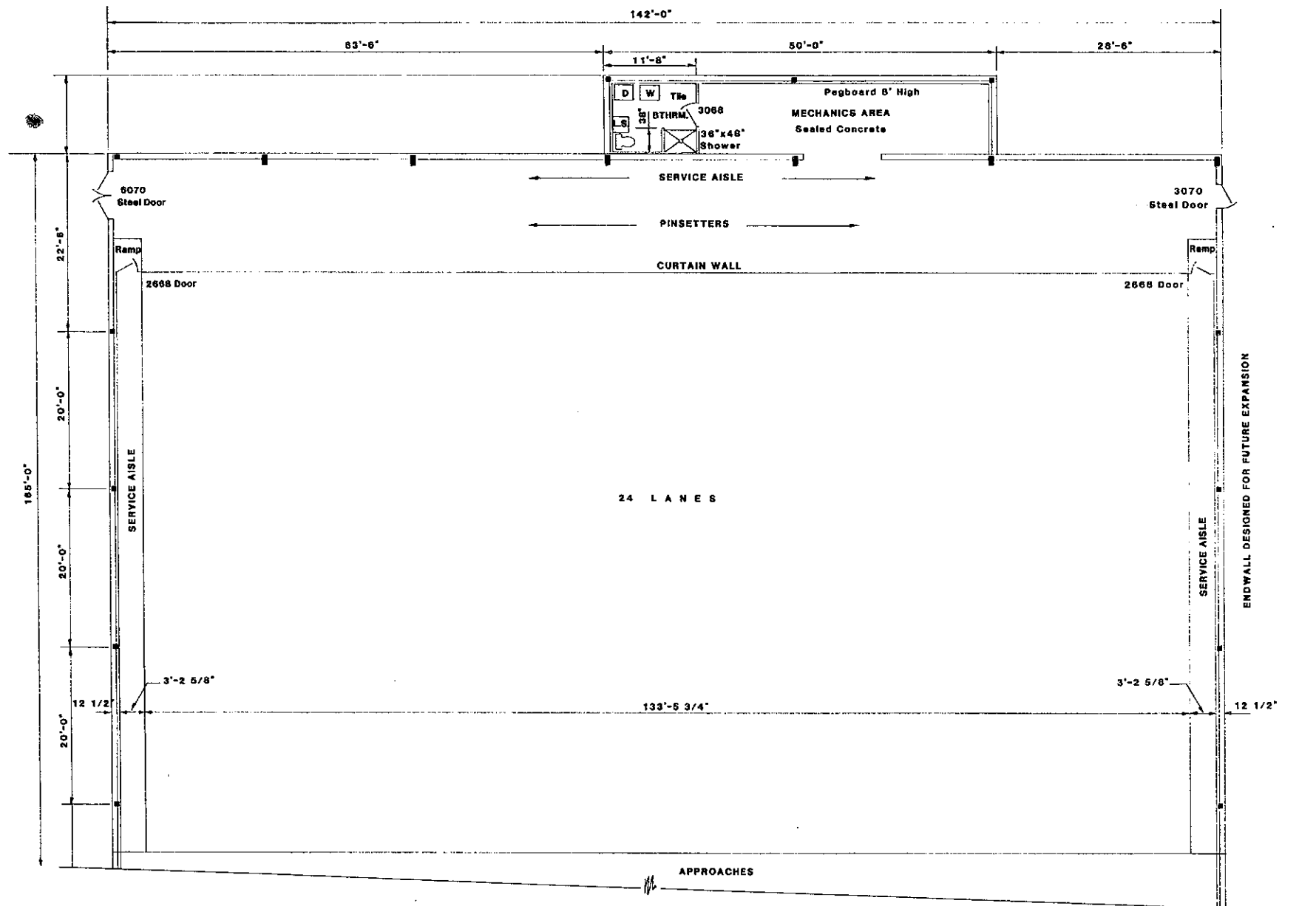
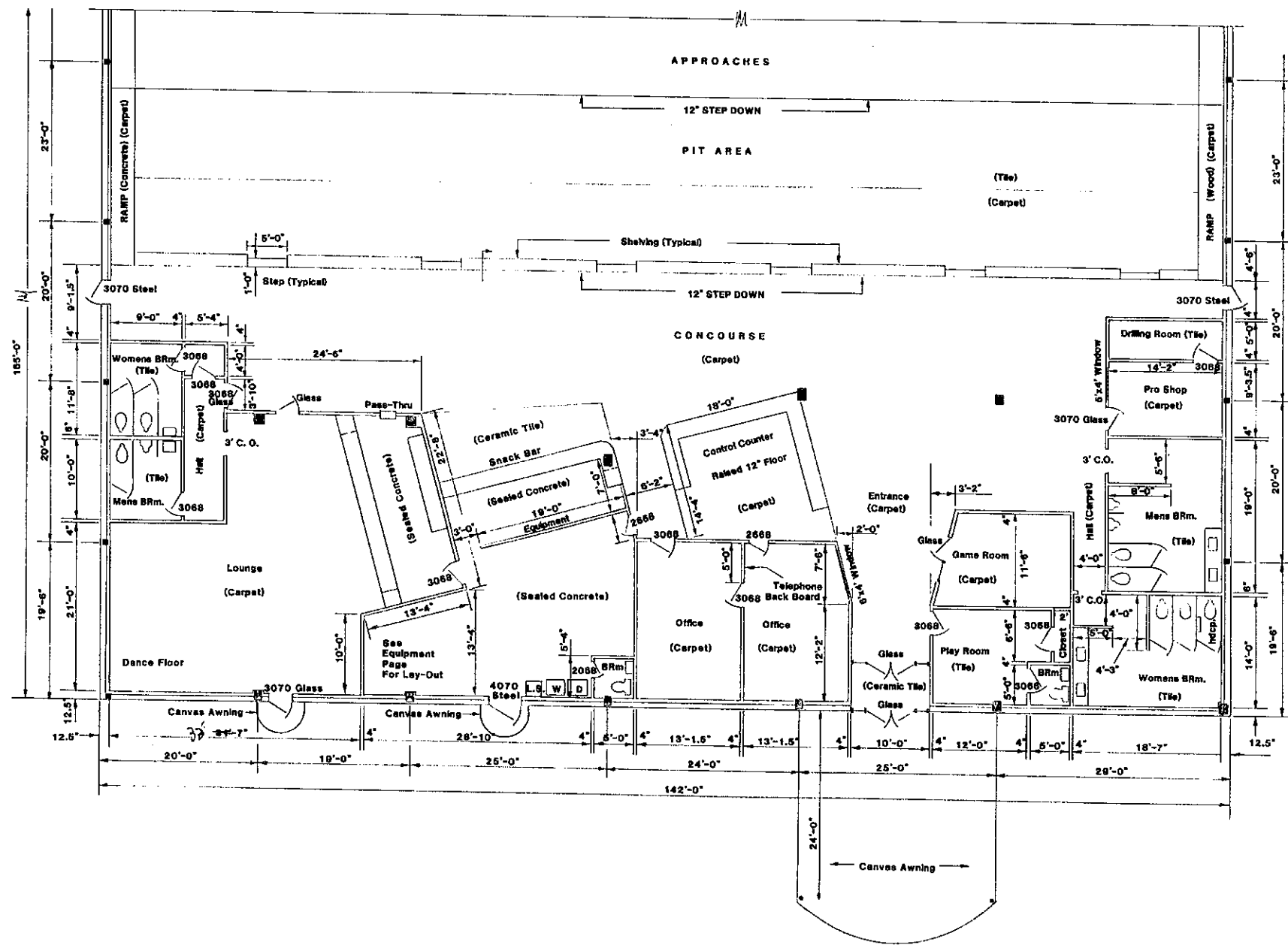


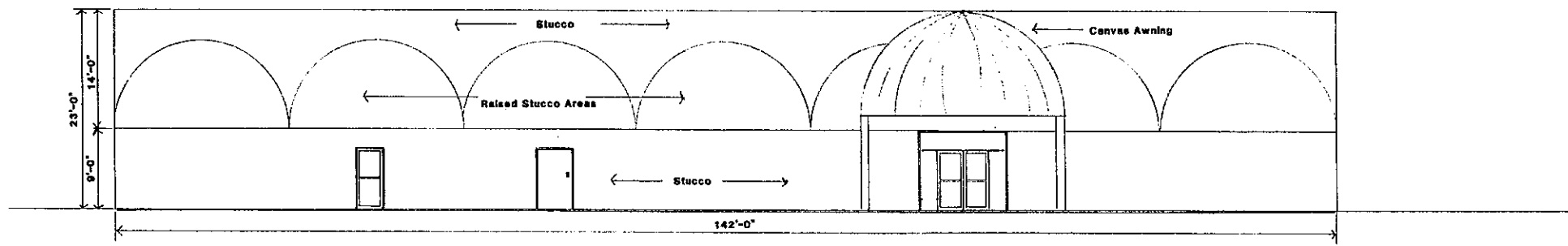
FLOOR PLAN  
SCALE 3/32"=1'-0"



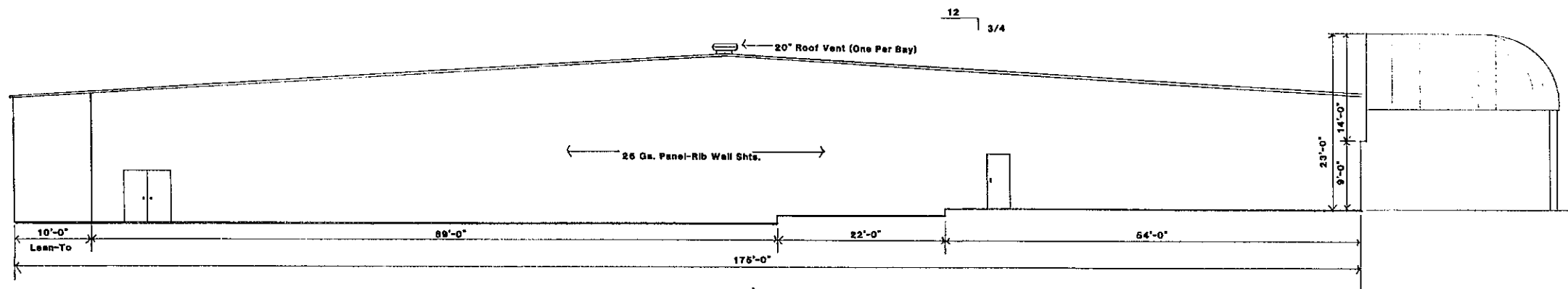
PARTIAL FLOOR PLAN  
SCALE 1/8"=1'-0"



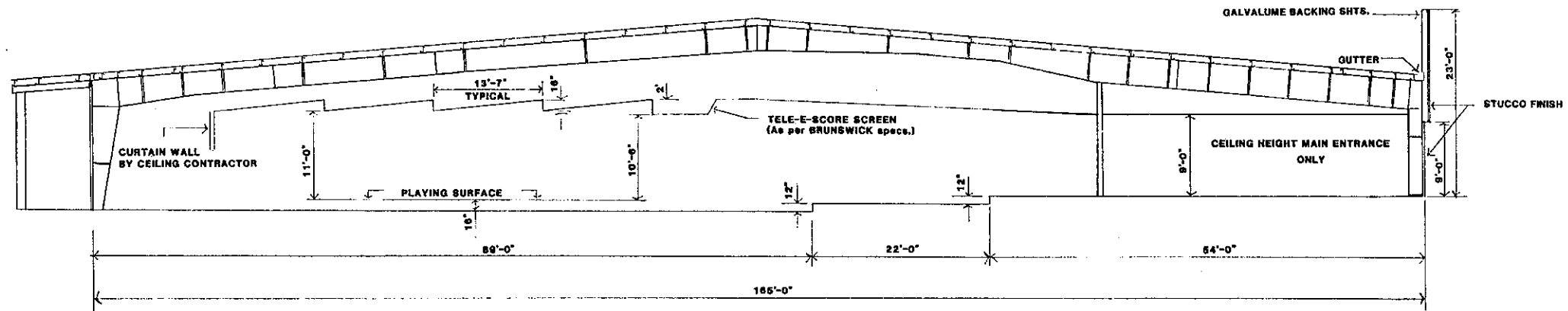
PARTIAL FLOOR PLAN  
SCALE 1/8"=1'-0"



WEST ELEVATION  
Scale 1/8":1'-0"



NORTH ELEVATION



NOTE:  
VARCO-PRUDEN PRE-MANUFACTURED BUILDING.  
LOADING PER SPECIFICATION SUBMITTALS.

CUT SECTION - CEILING ELEVATIONS  
SCALE 1/8"=1'-0"

REVISIONS	BY

**ROYSTER CONSTRUCTION INC.**

General Building Contractors  
904 SKIPPER AVE.  
FORT WALTON BEACH, FLA. 32548  
Phone (904) 863-2731



DRAWN	Skip Royster
CHECKED	W.E. Overstreet
DATE	08/18/89
SCALE	1/8"=1'-0"
JOB NO	14515
SHEET	12
OF	13 SHEETS