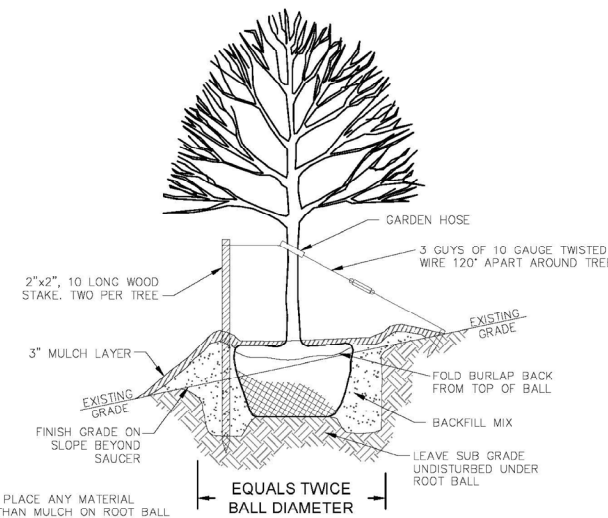


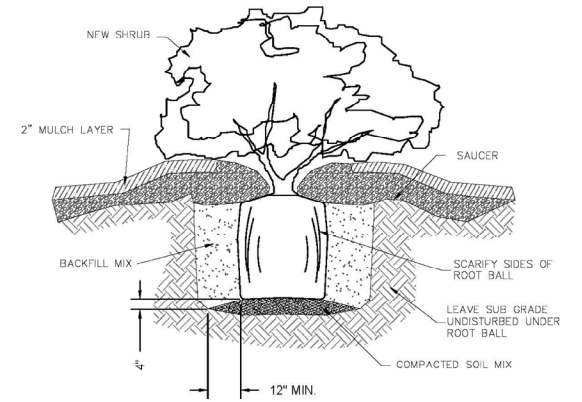
**PROPOSED PLANTING SCHEDULE**

SYMBOL:	BOTANICAL NAME:	COMMON NAME:	SIZE:	SPACING:	QUANTITY:
BS	BUXUS SEMPERVIRENS	AMERICAN BOXWOOD	3'-4" HIGH	AS SHOWN	7
TD	THUJA OCCIDENTALIS	ARBORVITAE	5' HEIGHT	AS SHOWN	13
CF	CORNUS FLORIDA	FLOWERING DOG WOOD	2" CALIPER	AS SHOWN	3

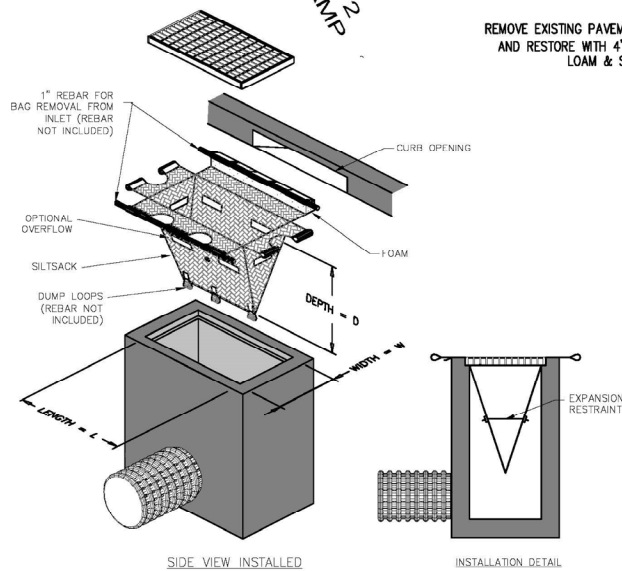
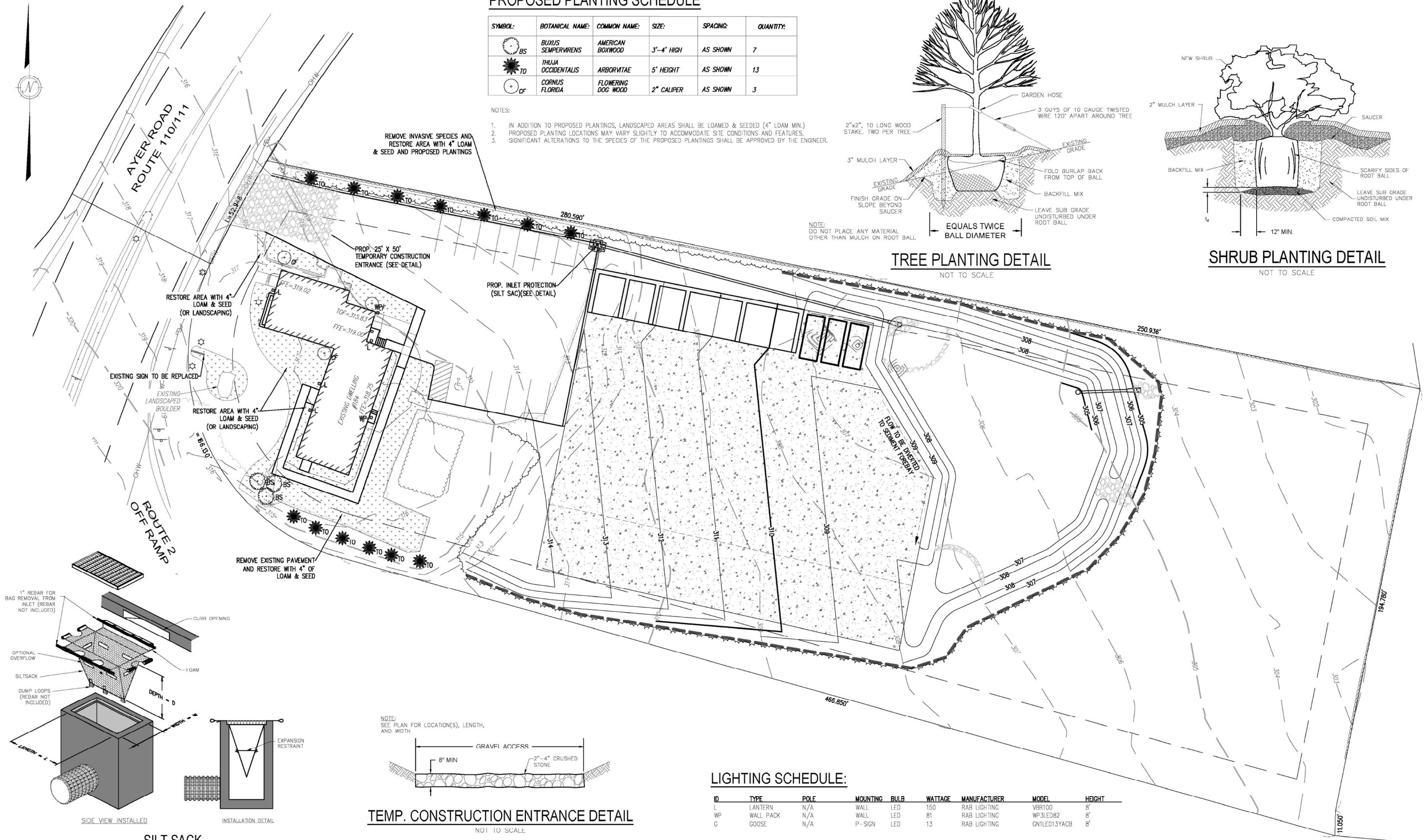
- NOTES:
1. IN ADDITION TO PROPOSED PLANTINGS, LANDSCAPED AREAS SHALL BE LOAMED & SEEDED (4" LOAM MIN.)
  2. PROPOSED PLANTING LOCATIONS MAY VARY SLIGHTLY TO ACCOMMODATE SITE CONDITIONS AND FEATURES.
  3. SIGNIFICANT ALTERATIONS TO THE SPECIES OF THE PROPOSED PLANTINGS SHALL BE APPROVED BY THE ENGINEER.



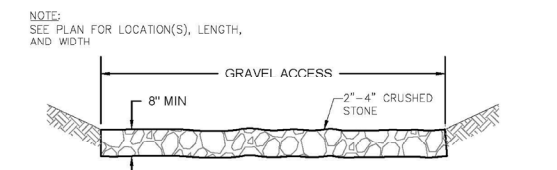
**TREE PLANTING DETAIL**  
NOT TO SCALE



**SHRUB PLANTING DETAIL**  
NOT TO SCALE



**SILT SACK**  
NOT TO SCALE



**TEMP. CONSTRUCTION ENTRANCE DETAIL**  
NOT TO SCALE

**LIGHTING SCHEDULE:**

ID	TYPE	POLE	MOUNTING	BULB	WATTAGE	MANUFACTURER	MODEL	HEIGHT
L	LANTERN	N/A	WALL	LED	150	RAB LIGHTING	VBR100	8'
WP	WALL PACK	N/A	WALL	LED	81	RAB LIGHTING	WP3LED82	8'
G	GOOSE	N/A	P-SIGN	LED	13	RAB LIGHTING	GNLED13YACB	8'

PREPARED BY:

**DILLIS & ROY**  
CIVIL DESIGN GROUP

CIVIL ENGINEERS LAND SURVEYORS WETLAND CONSULTANTS  
1 MAIN STREET, SUITE 1 LUNENBURG, MA 01462 PHONE: (978) 779 6091 www.dillisandroy.com

OWNER:  
PHOENIX-DURANGO LLC  
345 MAIN STREET  
NORTHBOROUGH MASSACHUSETTS

APPLICANT:  
CS BAILEY LANDSCAPE, INC  
19 WHITTEMORE SREET  
ARLINGTON, MASSACHUSETTS

SCALE:

1 in. = 20 ft.

COPYRIGHT DILLIS & ROY CIVIL DESIGN GROUP, INC 2023

DATE:  
10/24/2023

DESIGN BY:  
GSR

DRAWN BY:  
MMK

CHECKED BY:  
GSR

**LIGHTING & LANDSCAPING PLAN**  
184 AYER ROAD  
HARVARD, MASSACHUSETTS

NO.	DATE	DESCRIPTION	BY
1.	01/04/24	REVISED PER PER REVIEW COMMENTS	RPV

JOB NO. 6632-C

DRAWING NO. 6632-C-LAND

SHEET NO. **C4.0**