



# FOR LEASE

Levi McCormick:  
O: 509.462.9306  
levi@sdsrealty.com

Carlos Herrera  
C:509.714.2593  
carlos@sdsrealty.com



9212 E. Montgomery  
Spokane Valley, WA  
AVAILABLE SUITES

Suite: 502: 940 sq.ft.  
\$1,075 per month  
plus NNN

## HIGHLIGHTS

- Good signage
- Close freeway access
- Lots of on-Site Parking
- New parking lot
- Brick building
- Close to several popular restaurants

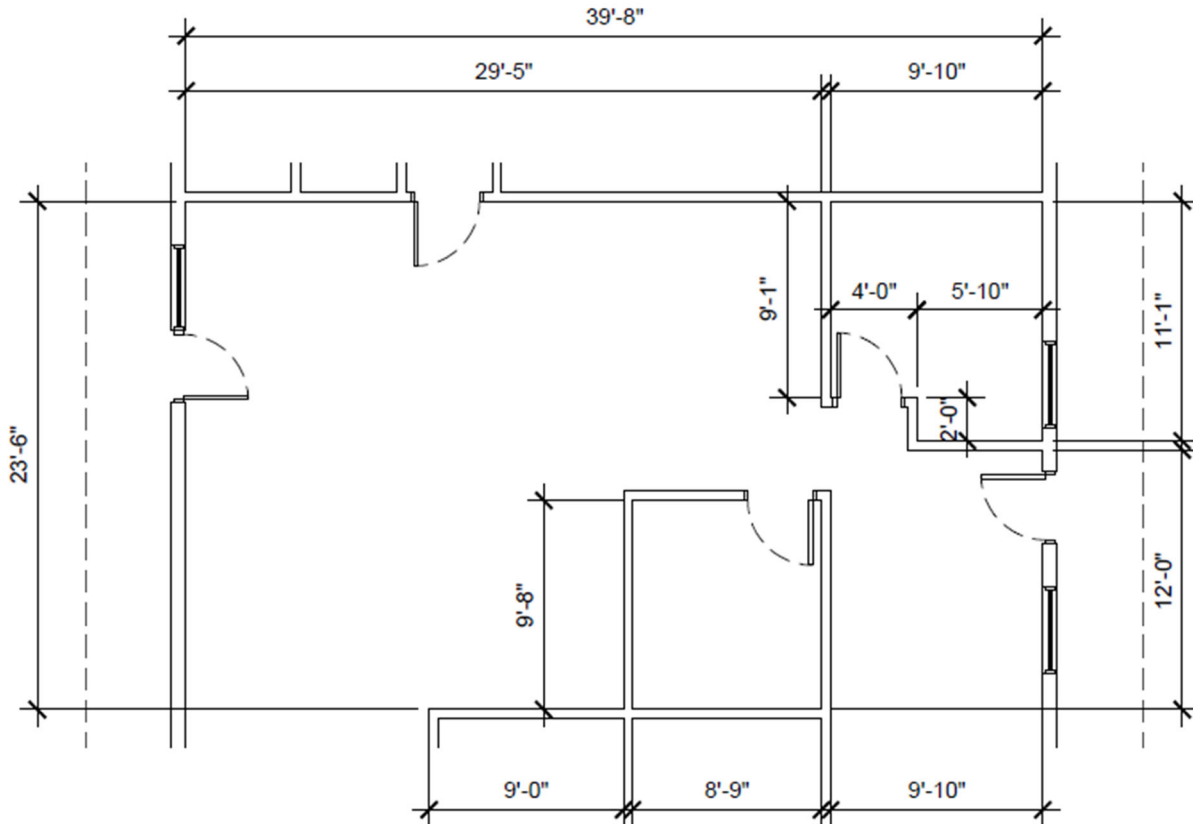


# FOR LEASE

Levi McCormick:  
O: 509.462.9306  
levi@sdsrealty.com

Carlos Herrera  
C: 509.714.2593  
carlos@sdsrealty.com

## Suite 502



33 (010 S02T)