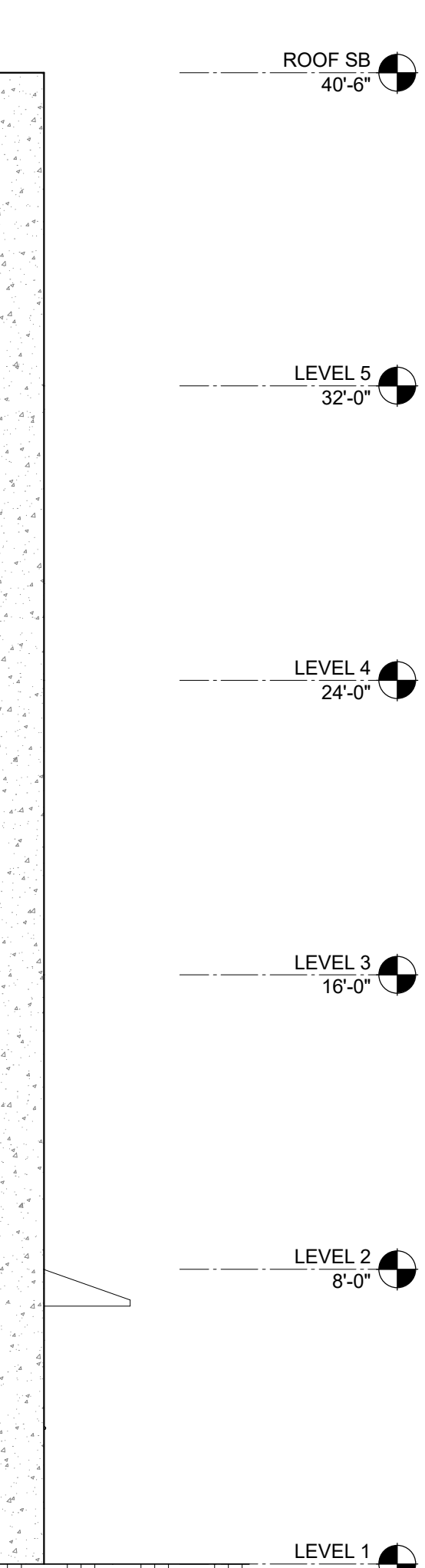
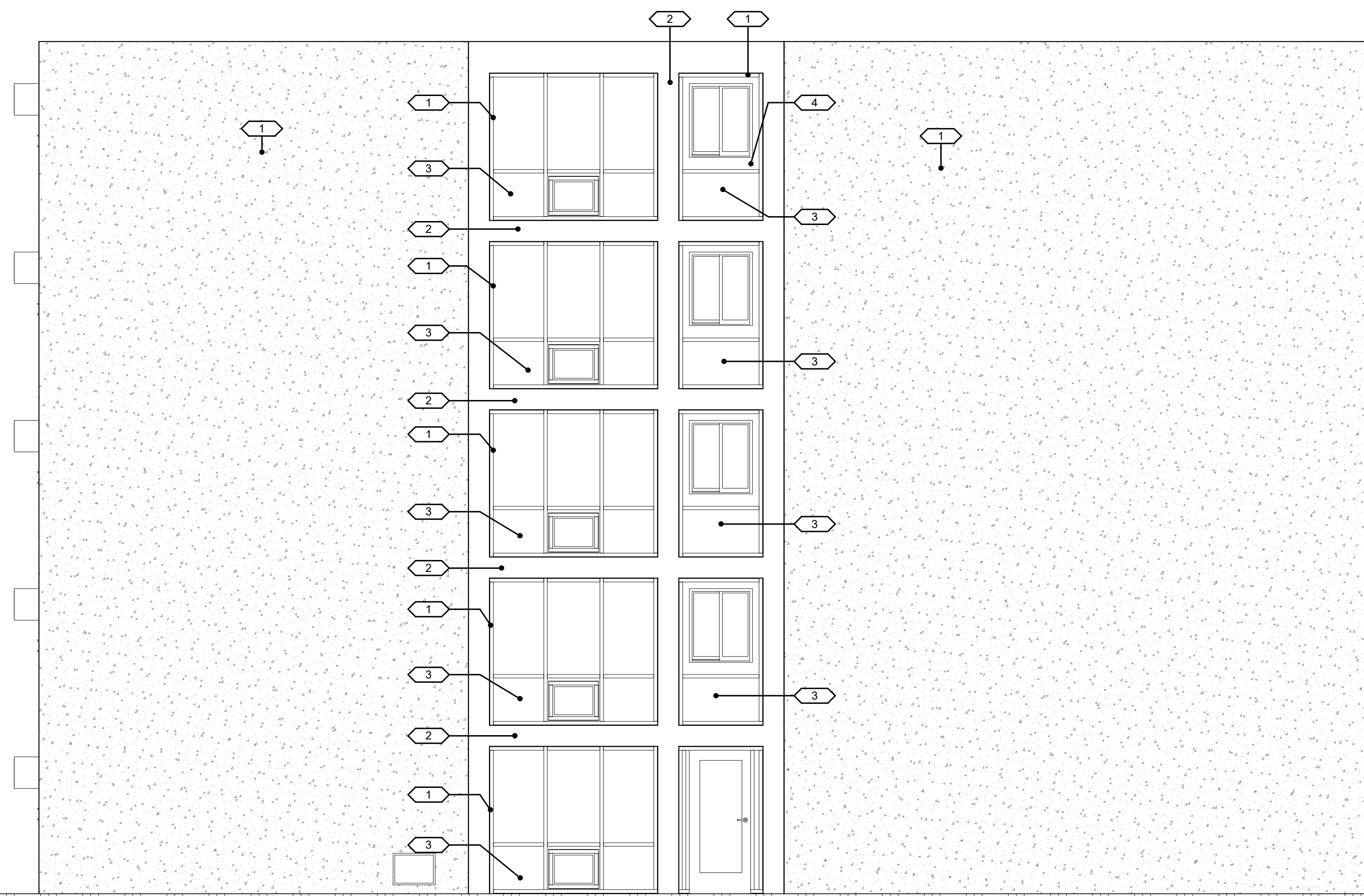


1 ELEVATION- EXTERIOR-EAST

1/4" = 1'-0"



2 ELEVATION- EXTERIOR- WEST

1/4" = 1'-0"

FINISH COLOR LEGEND

SW 0055
Light French Gray
PNT1

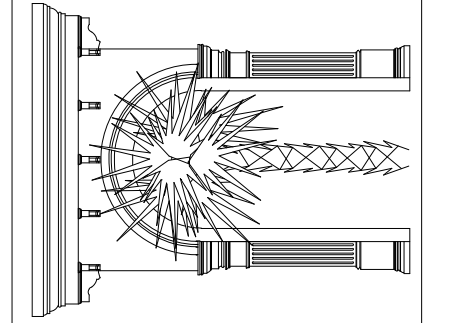
SW 6958
Dynamic Blue
PNT2

SW 2863
Powder Blue
PNT3

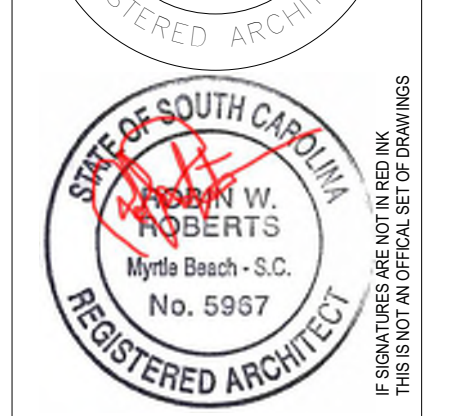
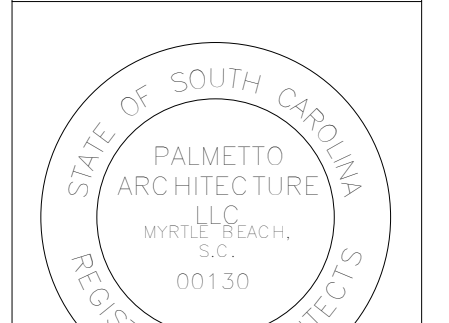
SW 7653
Silverpointe
PNT4

SW 2936
Black Emerald
PNT5

PALMETTO ARCHITECTURE L.L.C.
1323 Hidden Harbor Rd.
Myrtle Beach, S.C. 29577
TELEPHONE: (843) 802-4801
Palmetto.architecture@gmail.com



THESE DRAWINGS AND ANY BUILT LINESHES PALMETTO ARCHITECTURE L.L.C. ANY REPRODUCTION OR REUSE IN WHOLE OR IN PART IS A VIOLATION OF APPLICABLE COPYRIGHT LAWS. POSSESSION AND/OR USE OF THESE DRAWINGS WITHOUT THE EXPRESSED WRITTEN PERMISSION OF THE ARCHITECT IS ADDITIONALLY A VIOLATION APPLICABLE COPYRIGHT LAWS.



YK SOUTHERN BREEZE LLC
MYRTLE BEACH, SC

Presentation Summer Breeze

Revisions

PROJECT NO. 23-152
DWN JH
CHK RR
DATE 1-7-24

XXX
XXX

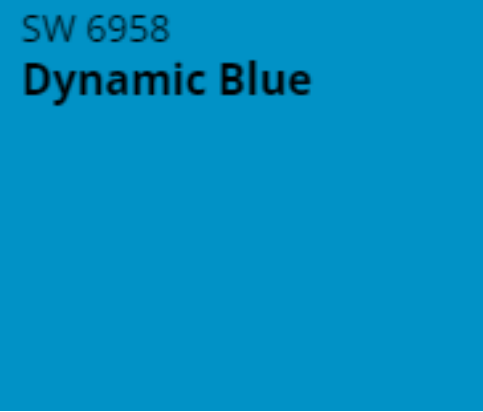
AP-000

Scale As indicated 1/7/2024 8:18:16 PM

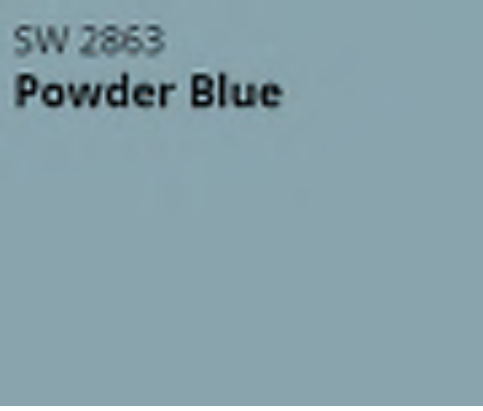
FINISH COLOR LEGEND



PNT1



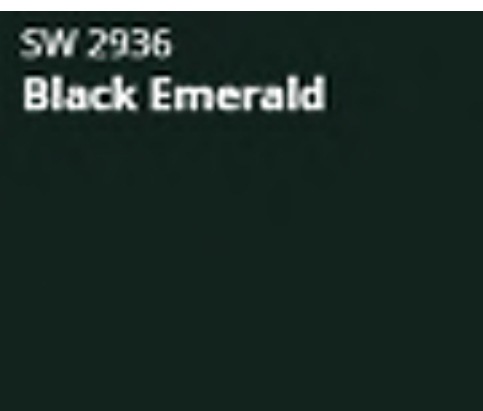
PNT2



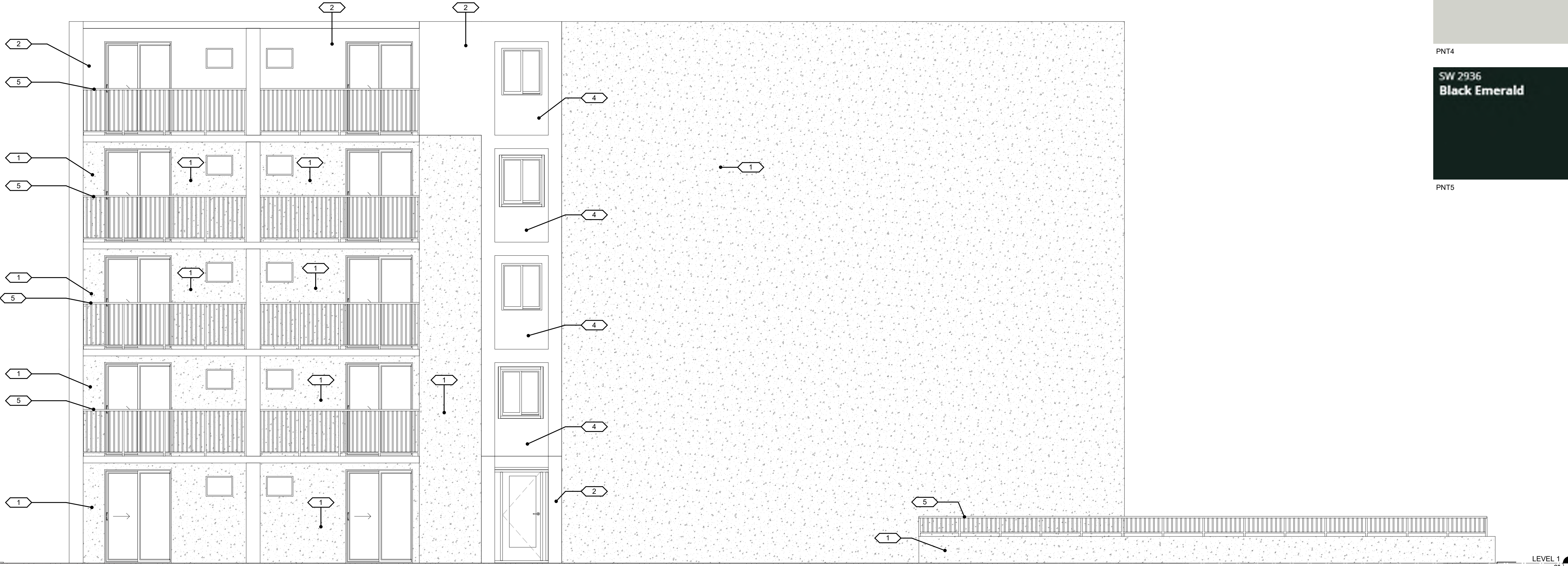
PNT3



PNT4

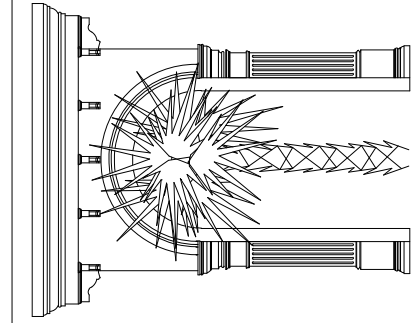


PNT5

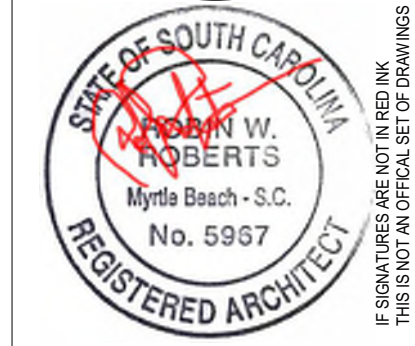
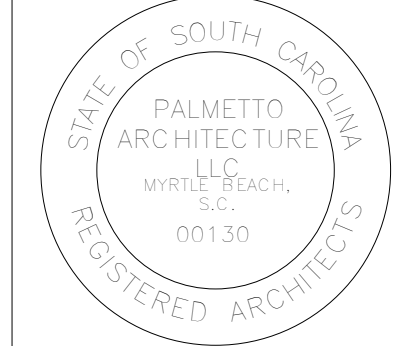


1 ELEVATION- EXTERIOR- SOUTH
1/4" = 1'-0"

PALMETTO ARCHITECTURE L.L.C.
1323 Hidden Harbor Rd.
Myrtle Beach, S.C. 29577
TELEPHONE: (843) 802-4801
Palmetto.architecture@gmail.com



THESE DRAWINGS AND ANY BUILT LINES OR REUSE IN WHOLE OR IN PART IS A VIOLATION OF APPLICABLE COPYRIGHT LAWS. POSSESSION AND/OR USE OF THESE DRAWINGS WITHOUT THE EXPRESSED WRITTEN PERMISSION OF THE ARCHITECT IS ADDITIONALLY A VIOLATION APPLICABLE COPYRIGHT LAWS.



YK SOUTHERN BREEZE LLC
MYRTLE BEACH, SC

Presentation
Summer Breeze

Revisions

PROJECT NO. 23-152
DWN JH
CHK RR
DATE 1-7-24

XXX
XXX

AP-001

Scale As indicated

1/7/2024 8:18:18 PM

W
E
S
T



S
O
U
T
H
-
W
E
S
T



S
O
U
T
H



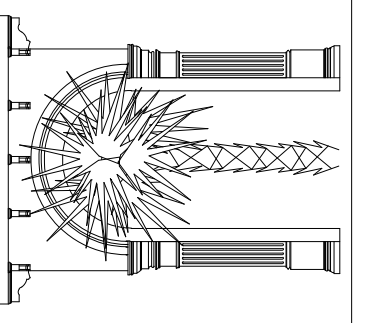
E
A
S
T



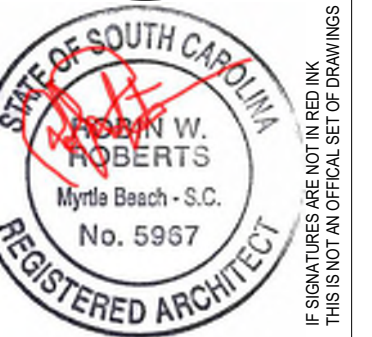
**PALMETTO
ARCHITECTURE
L.L.C.**

1323 Hidden Harbor Rd.
Myrtle Beach, S.C. 29577
TELEPHONE: (843) 802-4801

Palmetto.architecture@gmail.com



THESE DRAWINGS AND ANY BUILT LIKENESS
PALMETTO ARCHITECTURE L.L.C. ANY REPRODUCTION
OR REUSE IN WHOLE OR IN PART IS A VIOLATION OF
APPLICABLE COPYRIGHT LAWS. POSSESSION AND/OR
USE OF THESE DRAWINGS WITHOUT THE EXPRESSED
WRITTEN PERMISSION OF THE ARCHITECT IS
ADDITIONALLY A VIOLATION APPLICABLE COPYRIGHT
LAWS.



IF SIGNATURES ARE NOT IN RED INK
THIS PLAN IS UNOFFICIAL. SEE APPROVALS

YK SOUTHERN BREEZE

LLC
MYRTLE BEACH, SC

Presentation
Summer Breeze
Renderings

Revisions

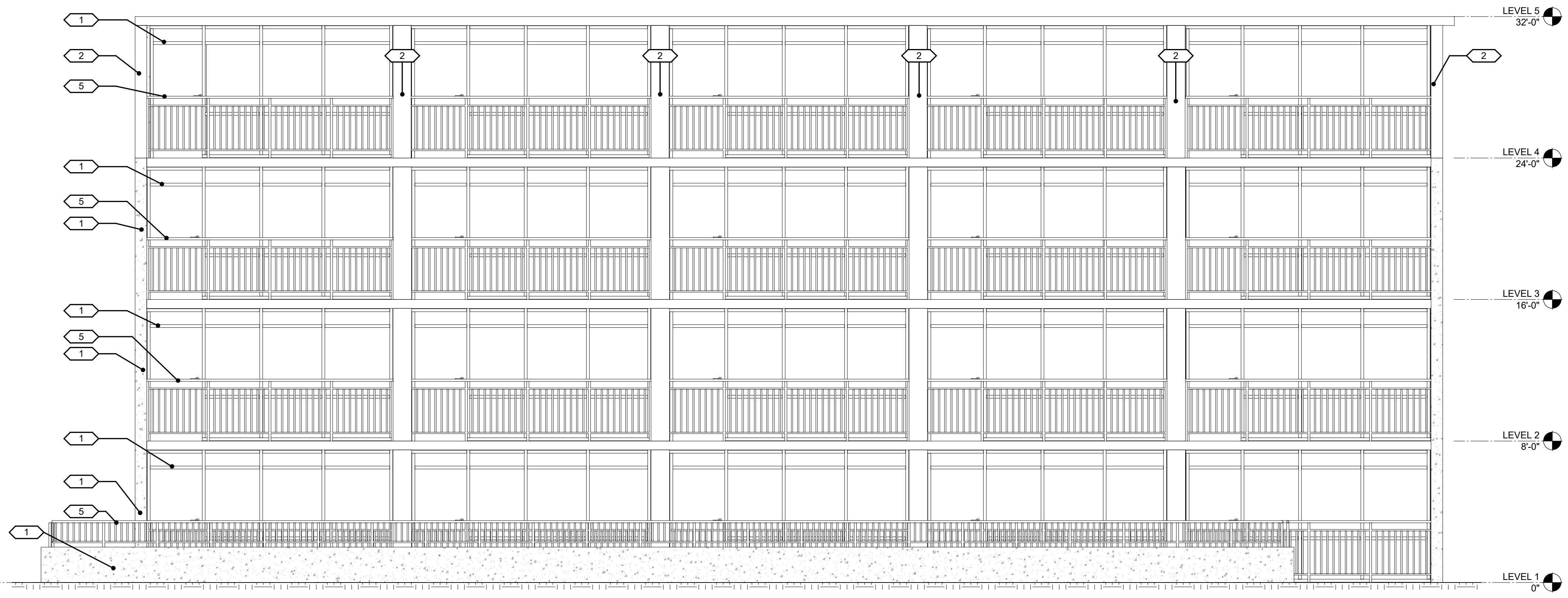
PROJECT NO. 23-152
DWN JH
CHK RR
DATE 1-7-24

XXX
XXX

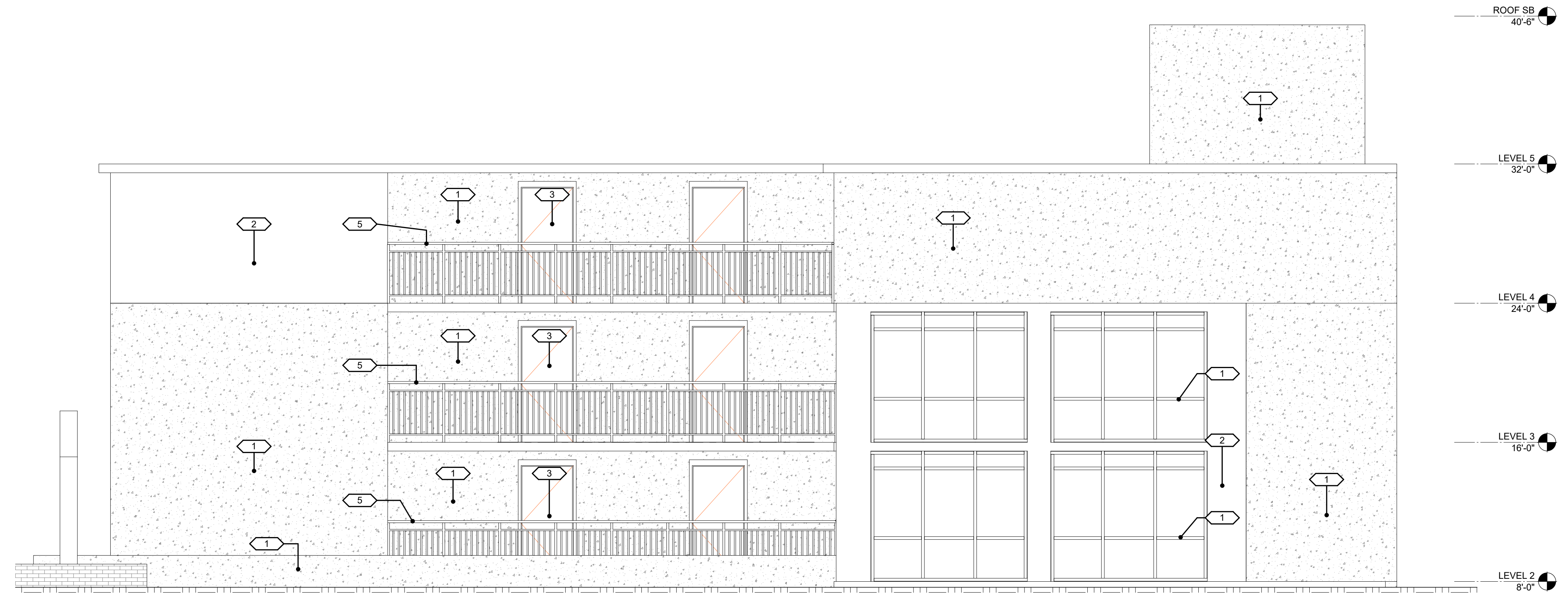
AP-002

Scale

1/7/2024 8:18:18 PM



1 SUMMER WINDS EAST ELEVATION
1/4" = 1'-0"



2 SUMMER WINDS WEST ELEVATION
1/4" = 1'-0"

FINISH COLOR LEGEND

SW 0055
Light French Gray
PNT1

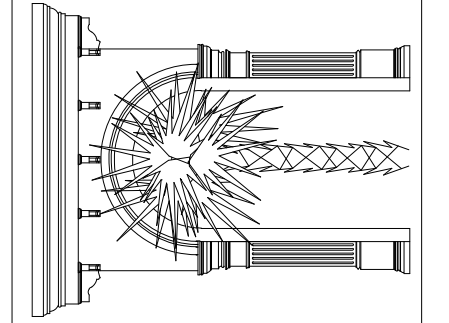
SW 6958
Dynamic Blue
PNT2

SW 2863
Powder Blue
PNT3

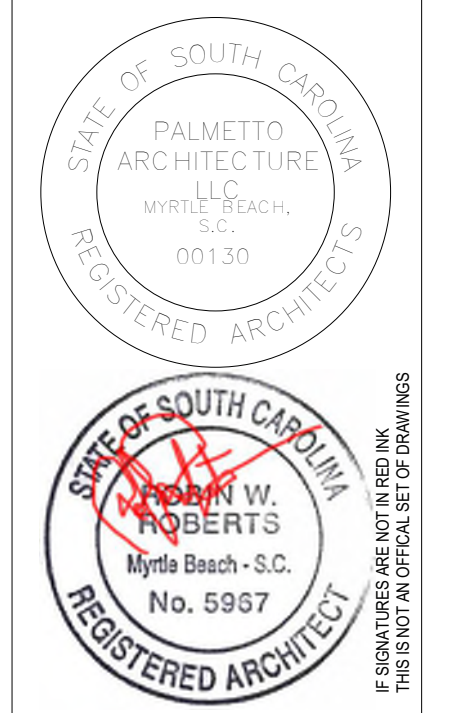
SW 7653
Silverpointe
PNT4

SW 2936
Black Emerald
PNT5

PALMETTO ARCHITECTURE L.L.C.
1323 Hidden Harbor Rd.
Myrtle Beach, S.C. 29577
TELEPHONE: (843) 802-4801
Palmetto.architecture@gmail.com



THESE DRAWINGS AND ANY BUILT LINES OR REUSE IN WHOLE OR IN PART IS A VIOLATION OF APPLICABLE COPYRIGHT LAWS. POSSESSION AND/OR USE OF THESE DRAWINGS WITHOUT THE EXPRESSED WRITTEN PERMISSION OF THE ARCHITECT IS ADDITIONALLY A VIOLATION APPLICABLE COPYRIGHT LAWS.



YK SOUTHERN BREEZE LLC
MYRTLE BEACH, SC

Presentation Summer Wind

Revisions

PROJECT NO. 23-152
DWN JH
CHK RR
DATE 1-7-24

XXX
XXX

AP-003

Scale As indicated

1/7/2024 8:18:24 PM

FINISH COLOR LEGEND



PNT1



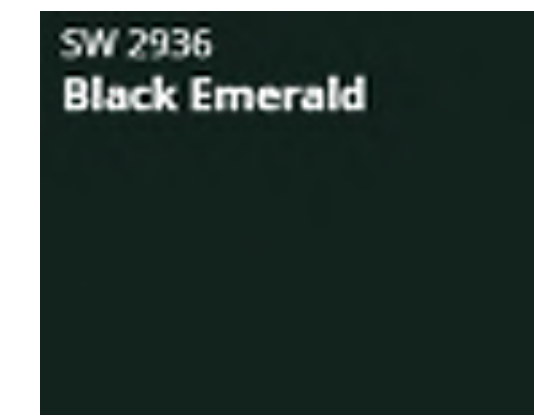
PNT2



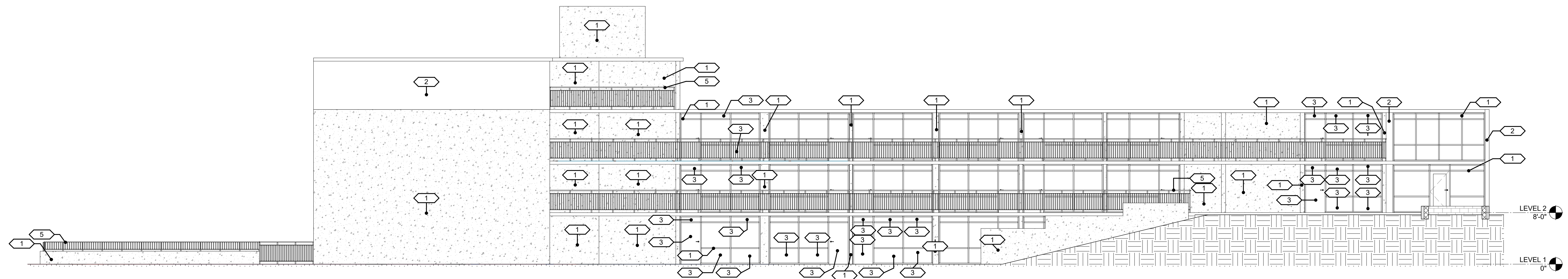
PNT3



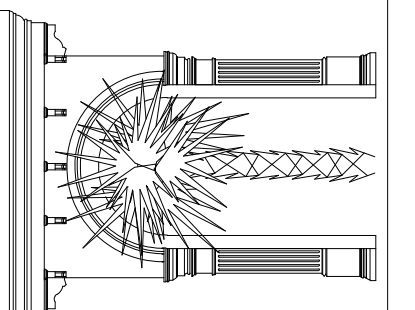
PNT4



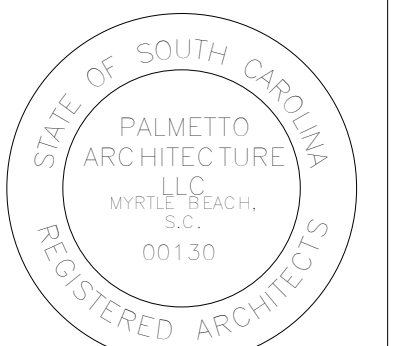
PNT5



PALMETTO ARCHITECTURE L.L.C.
 1323 Hidden Harbor Rd.
 Myrtle Beach, S.C. 29577
 TELEPHONE: (843) 602-4801
 Palmetto.architecture@gmail.com



THESE DRAWINGS AND ANY BUILT LINES
 PALMETTO ARCHITECTURE L.L.C. ANY REPRODUCTION
 OR REUSE IN WHOLE OR IN PART IS A VIOLATION OF
 APPLICABLE COPYRIGHT LAWS. POSSESSION AND/OR
 USE OF THESE DRAWINGS WITHOUT THE EXPRESSED
 WRITTEN PERMISSION OF THE ARCHITECT IS
 ADDITIONALLY A VIOLATION APPLICABLE COPYRIGHT
 LAWS.



YK SOUTHERN BREEZE LLC
 MYRTLE BEACH, SC

Presentation Summer Wind

Revisions

PROJECT NO. 23-152
 DWN JH
 CHK RR
 DATE 1-7-24

XXX
 XXX

AP-004

Scale As indicated

1/7/2024 8:18:26 PM

W
E
S
T



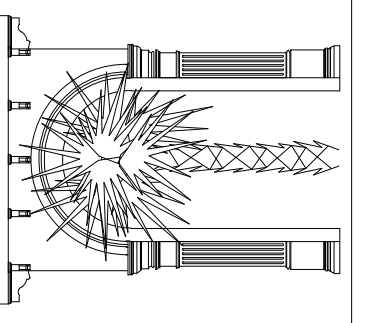
E
A
S
T



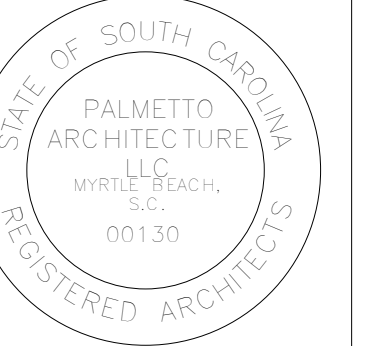
N
O
R
T
H



PALMETTO ARCHITECTURE L.L.C.
1323 Hidden Harbor Rd.
Myrtle Beach, S.C. 29577
TELEPHONE: (843) 802-4801
Palmetto.architecture@gmail.com



THESE DRAWINGS AND ANY BUILT LINES
PALMETTO ARCHITECTURE L.L.C. ANY REPRODUCTION
OR REUSE IN WHOLE OR IN PART IS A VIOLATION OF
APPLICABLE COPYRIGHT LAWS. POSSESSION AND/OR
USE OF THESE DRAWINGS WITHOUT THE EXPRESSED
WRITTEN PERMISSION OF THE ARCHITECT IS
ADDITIONALLY A VIOLATION APPLICABLE COPYRIGHT
LAWS.



YK SOUTHERN BREEZE LLC
MYRTLE BEACH, SC

**Presentation
Summer Wind
Renderings**

Revisions

PROJECT NO. 23-152
DWN JH
CHK RR
DATE 1-7-24

XXX
XXX

AP-005

Scale

1/7/2024 8:18:26 PM