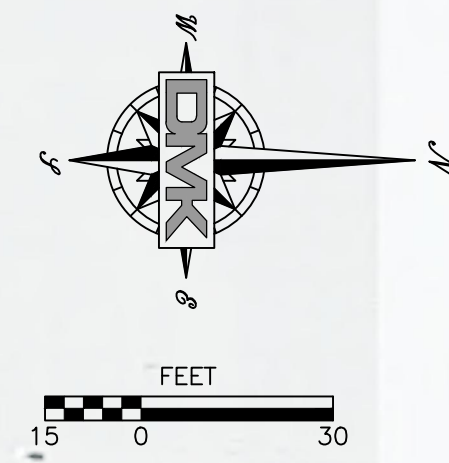
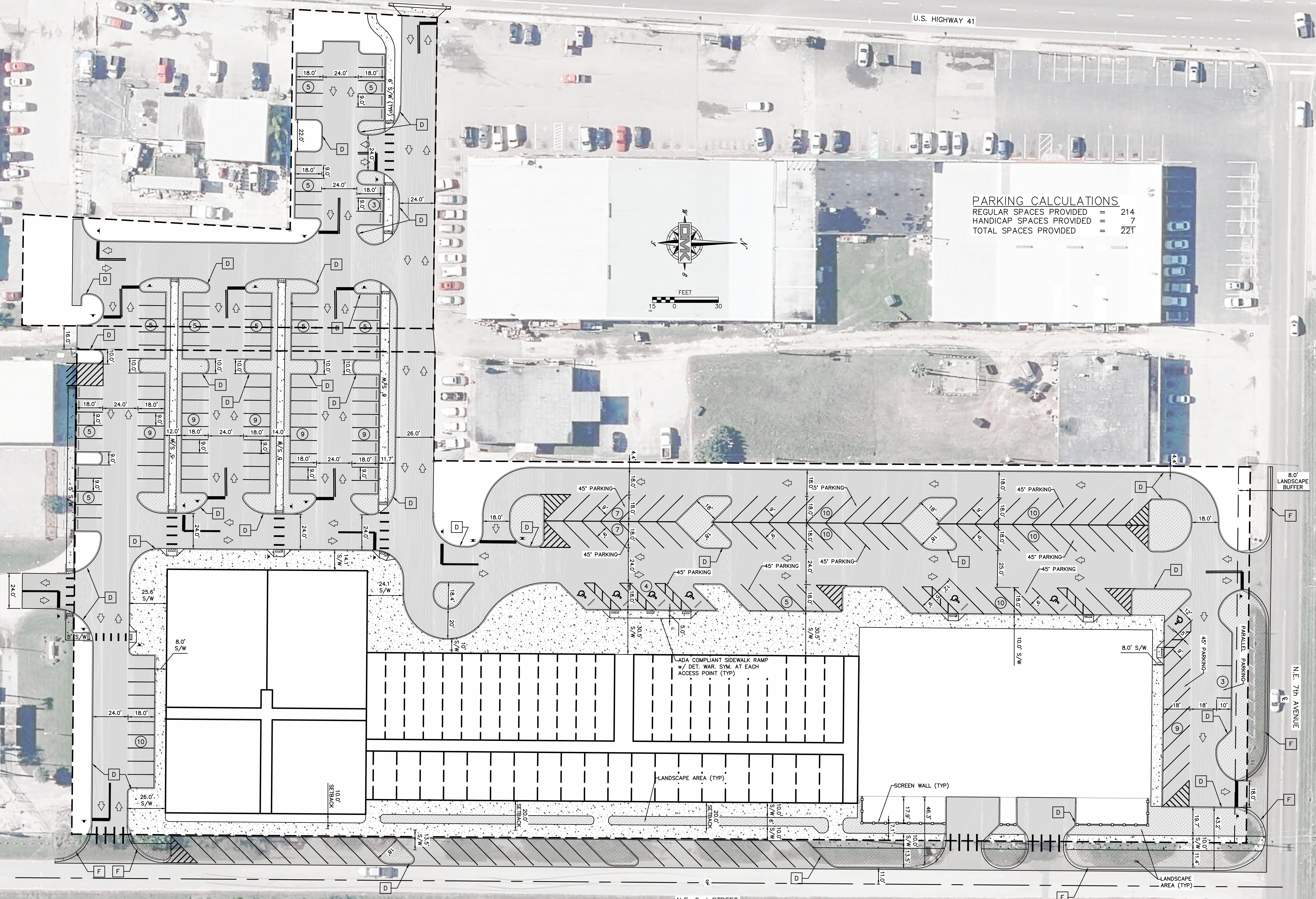


(SRD R/W MAP 10060-2211)

U.S. HIGHWAY 41



PARKING CALCULATIONS
 REGULAR SPACES PROVIDED = 214
 HANDICAP SPACES PROVIDED = 7
 TOTAL SPACES PROVIDED = 221



DMK ASSOCIATES
 4550 W. UNIVERSITY BLVD. SUITE 200
 VERO BEACH, FLORIDA 34922
 TEL: (841) 412-1233 FAX: (841) 412-1043
 C.A. No. 3943

DATE: 7/17/2017
 BY: [REDACTED]
 CHECKED BY: [REDACTED]
 SCALE: NOTED
 PROJ. NO.: 17-0359

DMK

NO. _____ REVISION _____

DATE: 7/17/2017
 BY: [REDACTED]
 CHECKED BY: [REDACTED]
 SCALE: NOTED
 PROJ. NO.: 17-0359

In accordance with 6105-3000 (3) F.A.C., these preliminary engineering documents are not to be used for construction. The documents are for informational purposes only. The documents are subject to change without notice. The documents are not to be used for any other purpose. The documents are not to be used for any other purpose. The documents are not to be used for any other purpose.

TIMOTHY E. ROANE, P.E.
 60113
 C.A. No. 3943
 DATE:

CLIENT: CLARK CENTER, HILLSBOROUGH COUNTY, FLORIDA
 PROJECT: CLARK CENTER, HILLSBOROUGH COUNTY, FLORIDA
 DIS: PROPOSED SITE IMPROVEMENT PLAN WITH AERIAL REMOVED

2