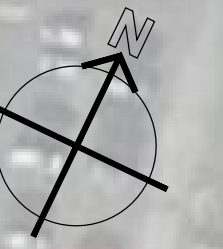
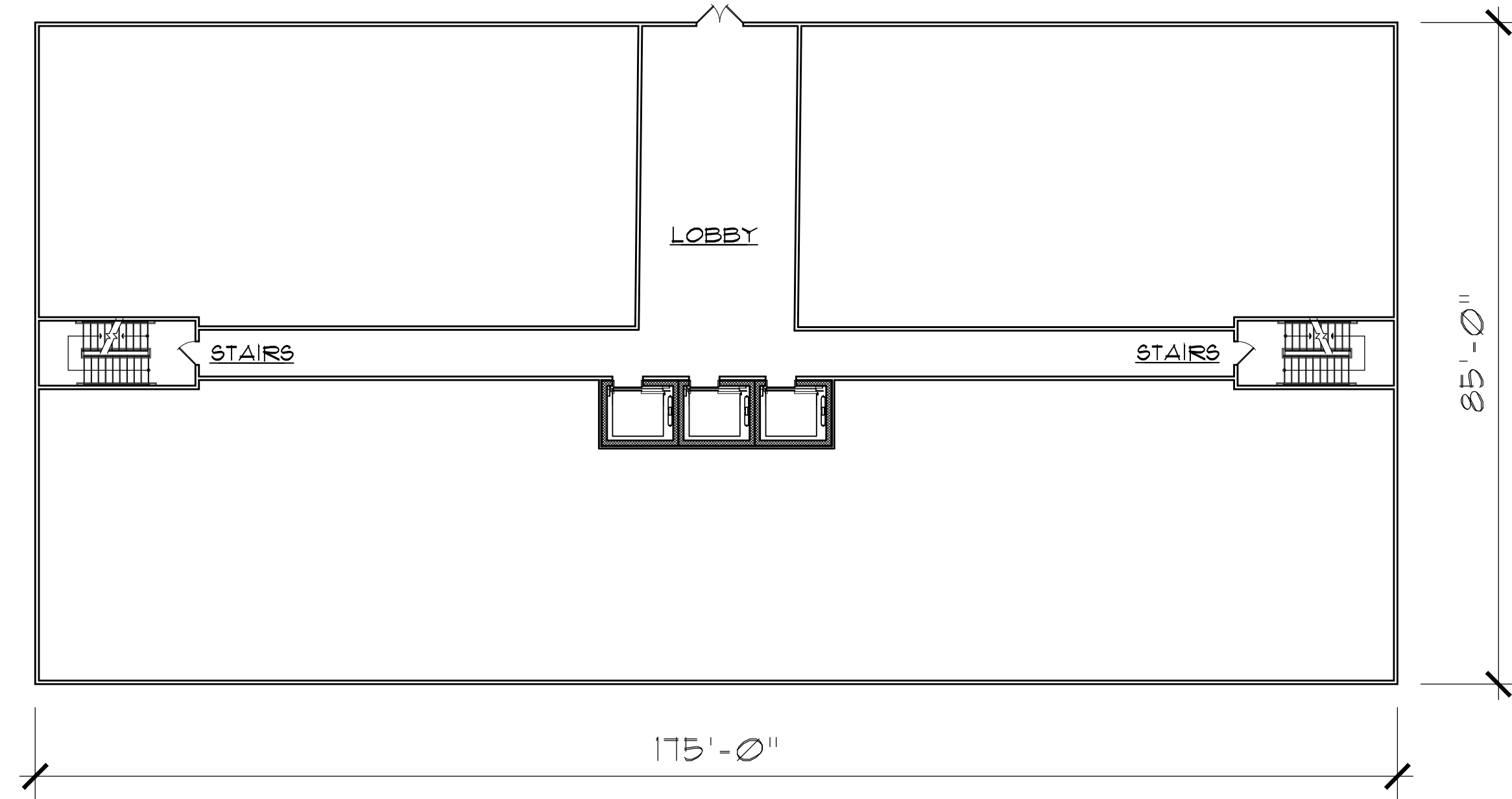


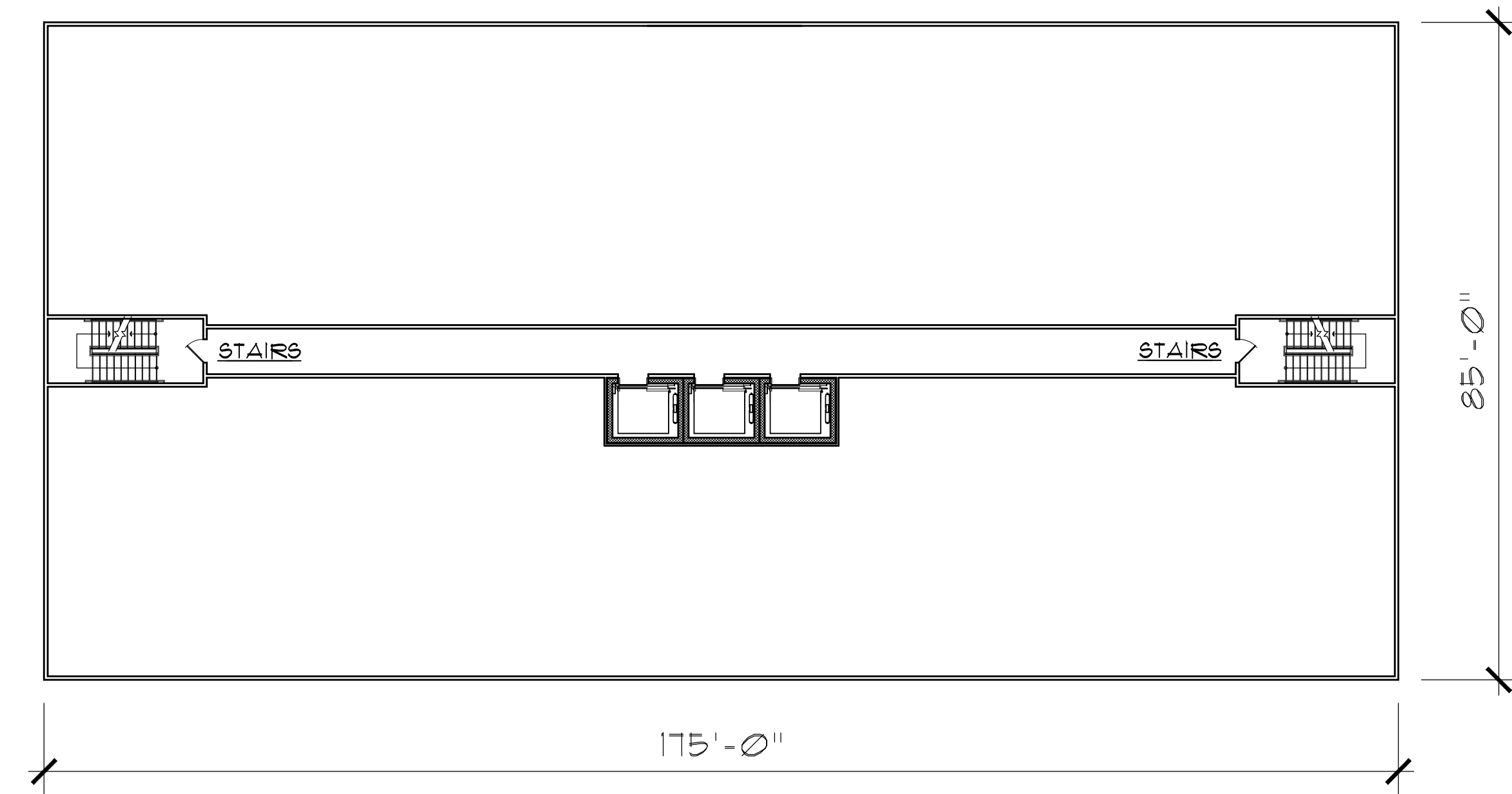
1 Site Plan - Ground Level  
Scale: 1" = 60'-0"

Plan

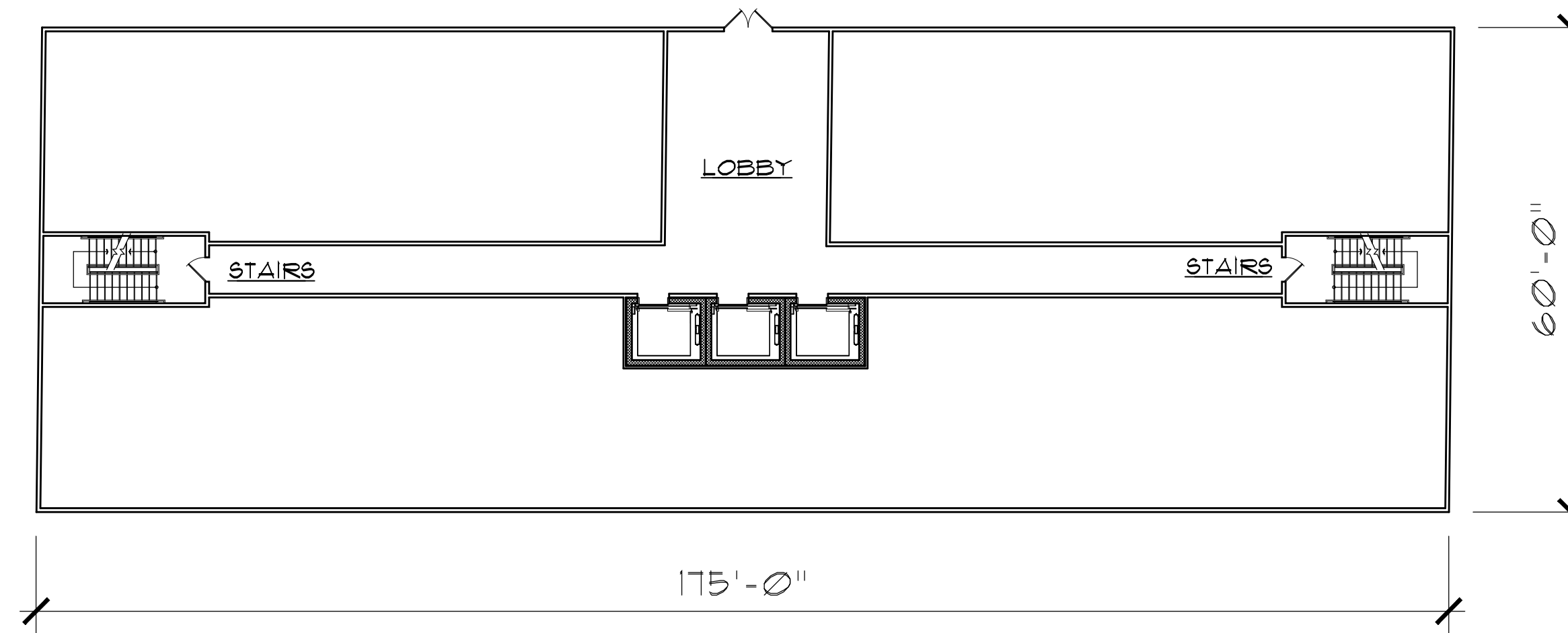




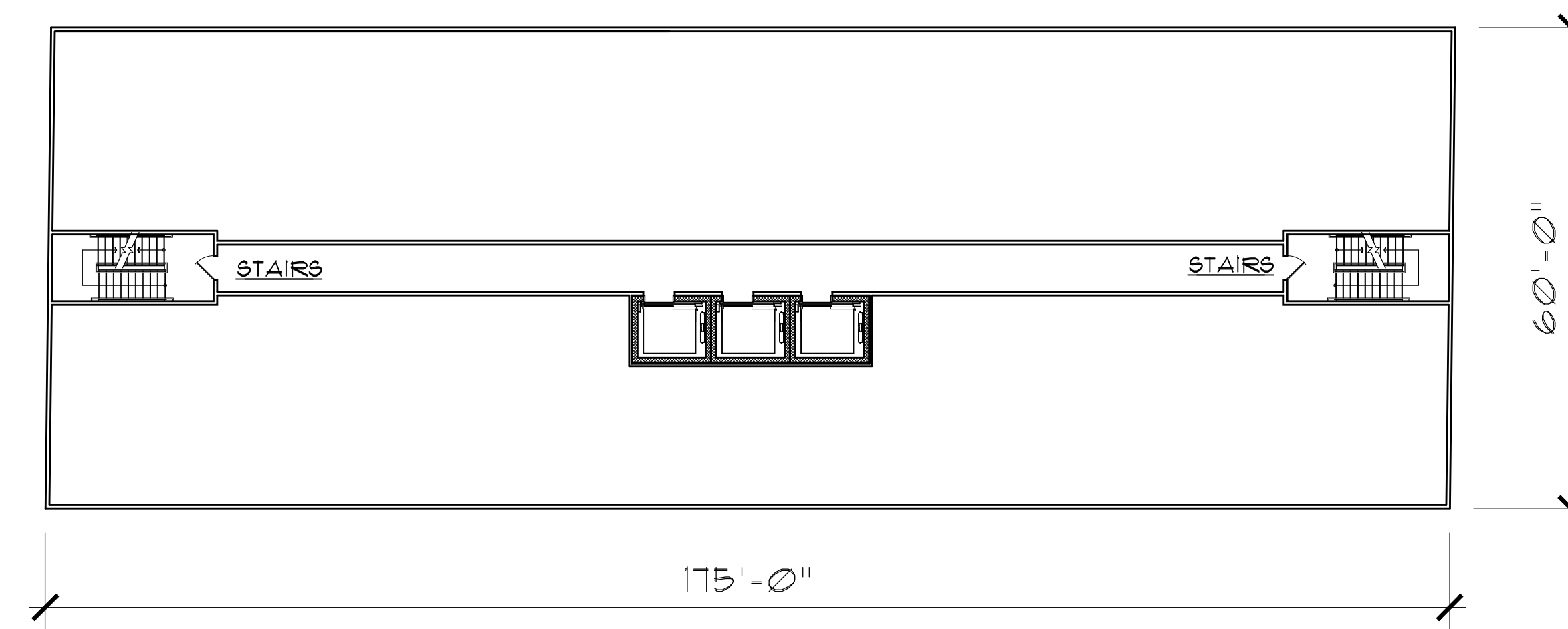
3 Building Plan Commercial Building 2 - Ground Level  
Scale: 1/16" = 1'-0" Plan



4 Building Plan Commercial Building 2 - Typical Level  
Scale: 1/16" = 1'-0" Plan



1 Building Plan Commercial Building 1 - Ground Level  
Scale: 1/16" = 1'-0" Plan



2 Building Plan Commercial Building 1 - Typical Level  
Scale: 1/16" = 1'-0" Plan