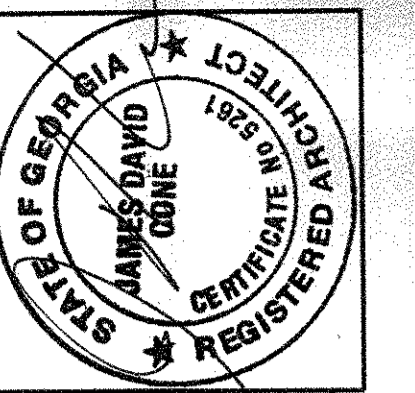


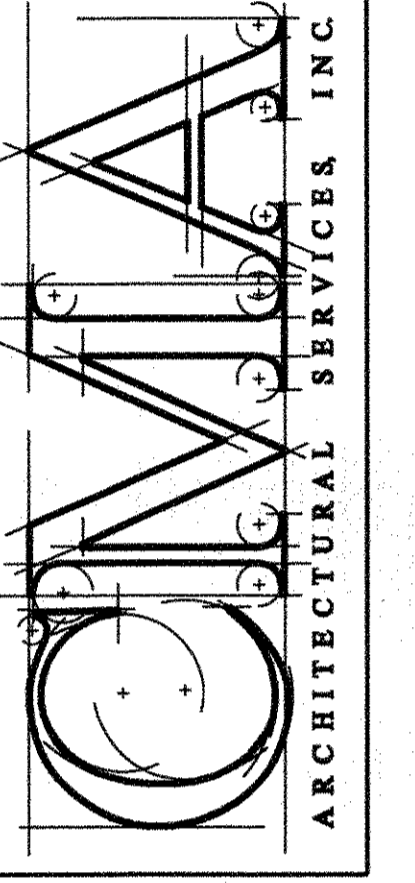
DOOR SCHEDULE												
DOOR No.	WIDTH	HEIGHT	TYPE	DR. MATL.	DR. FIN.	FIRE RATED	HOUR SET	CLOSER	SIGNAGE	NOTES:		
										FRAME MATL.	FRAME FIN.	REMARKS
D01	3'-0"	7'-0"	A	ALUM.	FACTORY	N	N	N	N	ALUM.	FACTORY	STOREFRONT DOORS
D02	3'-0"	6'-8"	B	MASONITE	PAINTED	N	N	N	N	WOOD	PAINTED	FLUSH
D03	3'-0"	6'-8"	B	MASONITE	PAINTED	N	N	N	N	WOOD	PAINTED	FLUSH
D04	3'-0"	6'-8"	B	MASONITE	PAINTED	N	N	N	N	WOOD	PAINTED	FLUSH
D05	2'-4"	6'-8"	B	MASONITE	PAINTED	N	N	N	N	WOOD	PAINTED	FLUSH
D06	3'-0"	6'-8"	B	MASONITE	PAINTED	N	N	N	N	WOOD	PAINTED	FLUSH
D07	3'-0"	6'-8"	B	MASONITE	PAINTED	N	N	N	N	WOOD	PAINTED	FLUSH
D08	3'-0"	6'-8"	B	MASONITE	PAINTED	N	N	N	N	WOOD	PAINTED	FLUSH
D09	3'-0"	6'-8"	B	MASONITE	PAINTED	N	N	N	N	WOOD	PAINTED	FLUSH
D10	3'-0"	6'-8"	B	MASONITE	PAINTED	N	N	N	N	WOOD	PAINTED	FLUSH
F												EXISTING TO REMAIN

WINDOW SCHEDULE										
MARK	WIDTH	HEIGHT	GLAZING	MUNTINS	INSULATED	TRANSON	HEAD HT.	NOTES:		
								FRAME MATL.	FRAME FIN.	REMARKS
W1	2'-8"	5'-8"	*	N	Y	N	8'-0"	ALUM.	FACTORY	-

ROOM FINISH SCHEDULE													
ROOM No.	AREA NAME	FLOOR BASE WALL CORNICE/CEILING											
		CARPET	VINYL	SMOOTH CONC.	WALL BASE	WALL	FACE BRICK	SWG-PAINTED	FACE BRICK	NONE	ACoustICAL TILE	METAL SOFFIT PANEL	CLG HEIGHT
100	COVERED ENTRY												
101	CORRIDOR												
102	PLAN REVIEW												
103	HDCP TOILET												
104	MECH.												
105	BREAK ROOM												
106	ESTIMATING												
107	SUPPLIES												
108	SUPPLIES												
109	CONFERENCE ROOM												
110	MECH.												

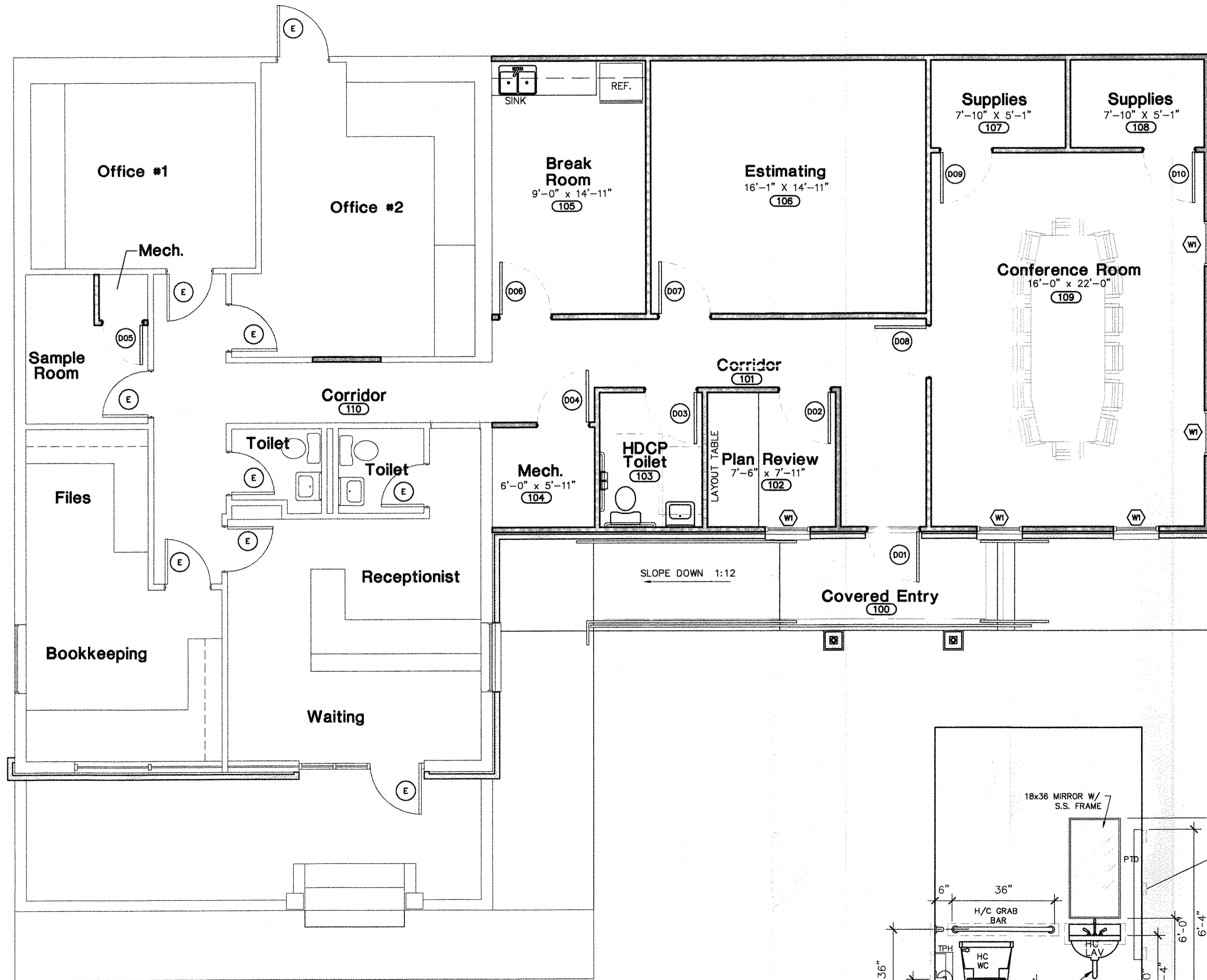
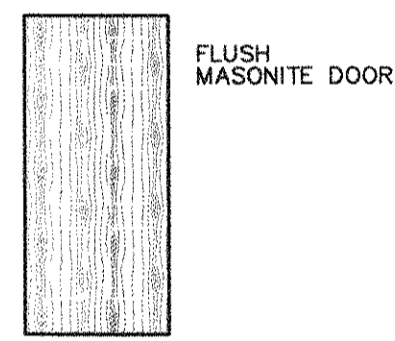
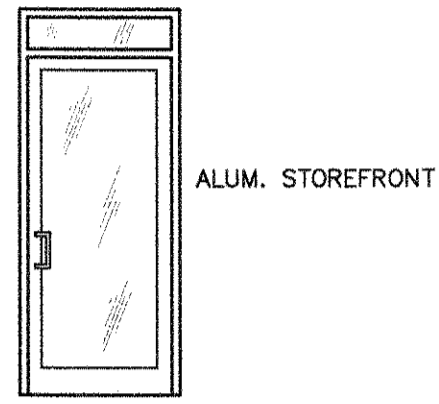


**JAMES D. CONE**  
ARCHITECT  
1806 PLUM STREET  
DUNWOODY, GA 30329  
PHONE (770) 247-2229  
FAX (770) 245-9311  
E-MAIL: cma\_arch@aol.com

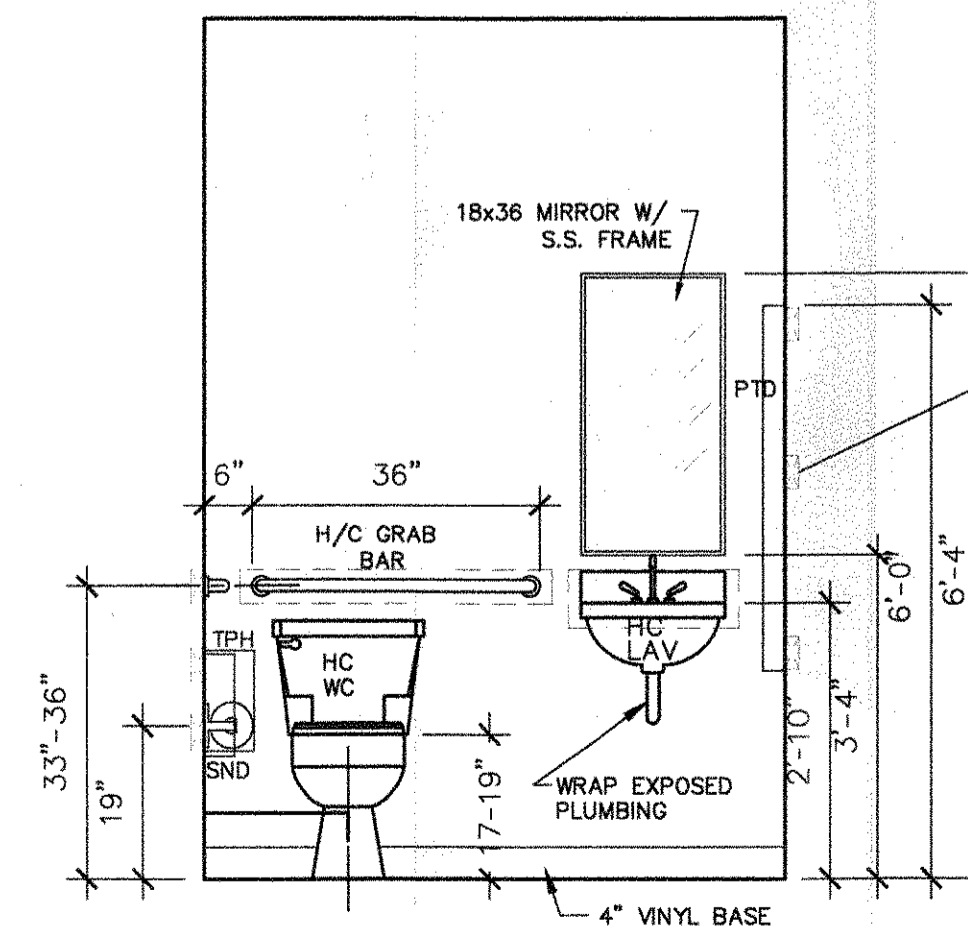


**An Office Addition**  
For  
**Cauthan Construction Company, Inc.**  
Valdosta, Georgia  
1321 West Hill Ave.

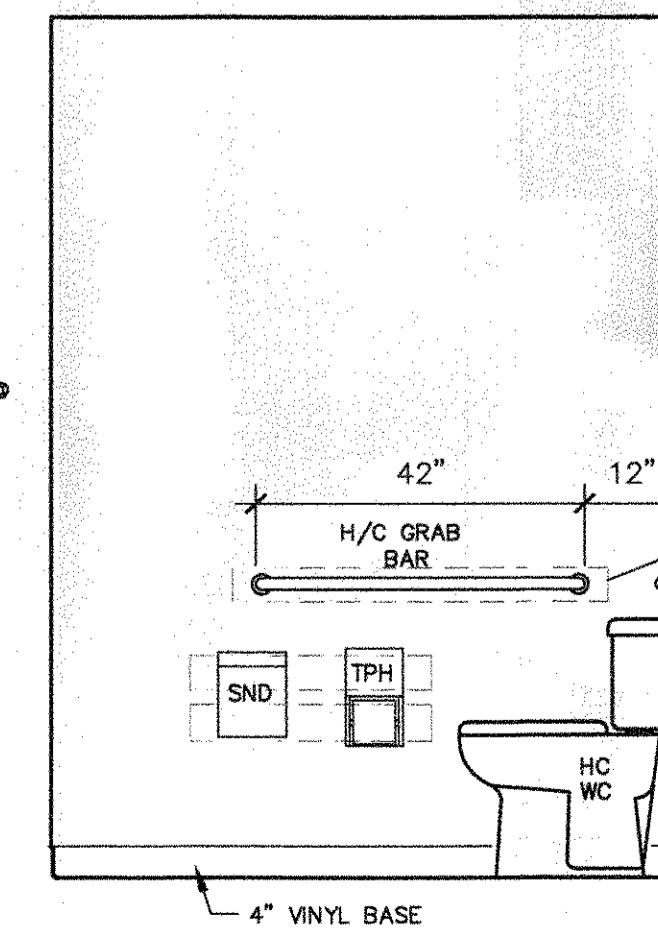
DRAWN: jdw  
CHECKED: jdw  
JOB NUMBER: 08-41  
DATE: July 5, 2008  
REVISIONS:  
THESE DRAWINGS ARE THE PROPERTY OF THE ARCHITECT AND MAY NOT BE REPRODUCED OR REUSED WITHOUT PERMISSION AND CREDIT  
DRAWING NUMBER: **A-1.1**  
SHEET 6 OF 13  
COPYRIGHT 2007 JAMES D. CONE, ARCHITECT



**Floor Plan**  
Scale: 1/4" = 1'-0"



**Typ H.C. Toilet Elevation**  
Scale: 1/2" = 1'-0"



**Typ H.C. Toilet Elevation**  
Scale: 1/2" = 1'-0"

PROVIDE 2x SOLID BLOCKING AS REQ'D @ ALL GRAB BARS & LAVATORIES AND ACCESSORIES (TYP)

PROVIDE 2x SOLID BLOCKING AS REQ'D @ ALL GRAB BARS & LAVATORIES AND ACCESSORIES (TYP)

