



HIGHLIGHTS

- Good signage
- Close freeway access
- Lots of on-Site Parking
- New parking lot
- Brick building
- Close to several popular restaurants

9212 E. Montgomery Spokane Valley, WA AVAILABLE SUITES

Suite: 502: 940 sq.ft.
\$1,075 per month
Plus NNN \$325.00 per month

Suite: 601: 1,000 sq.ft.
\$1,150 per month
plus NNN \$350.00 per month

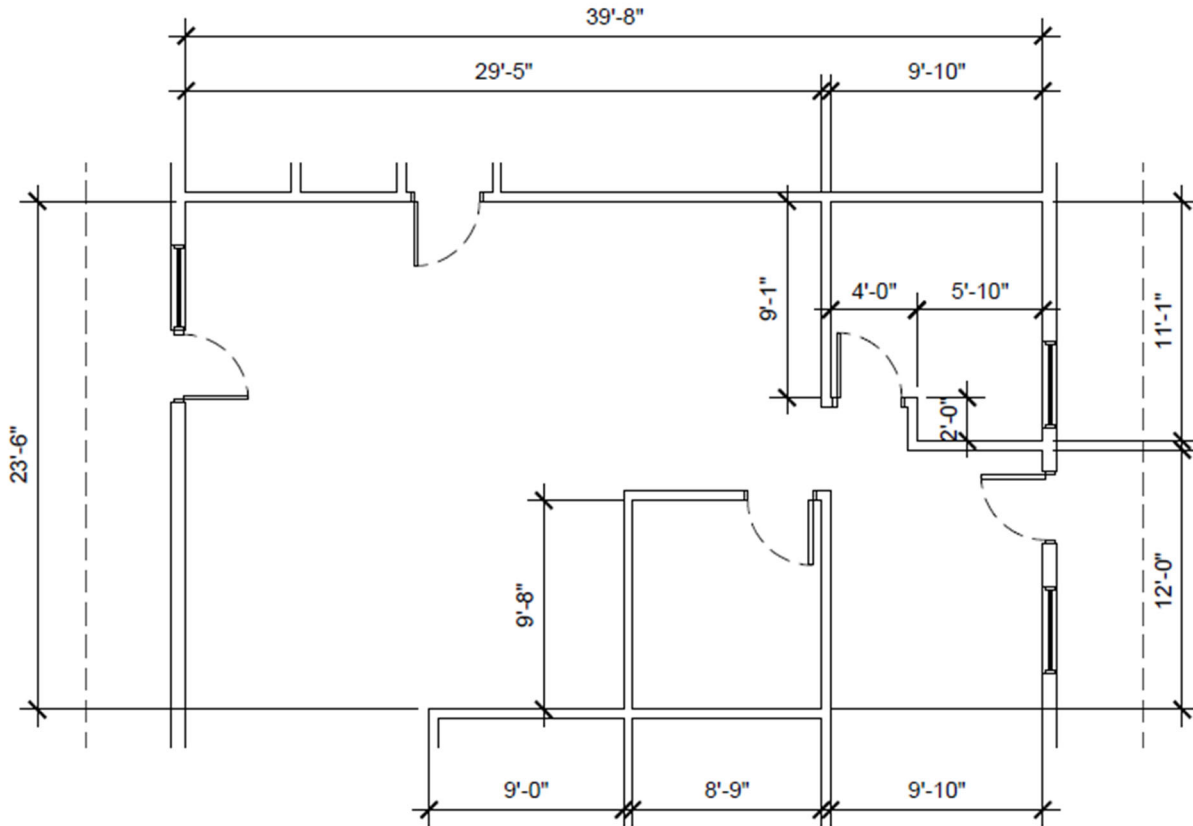


FOR LEASE

Levi McCormick:
O: 509.462.9306
levi@sdsrealty.com

Carlos Herrera
C: 509.714.2593
carlos@sdsrealty.com

Suite 502



33 (010 SOFT)



FOR LEASE

Levi McCormick:
O: 509.462.9306
levi@sdsrealty.com

Carlos Herrera
C: 509.714.2593
carlos@sdsrealty.com

Suite 601

